

VIEW FROM TOP

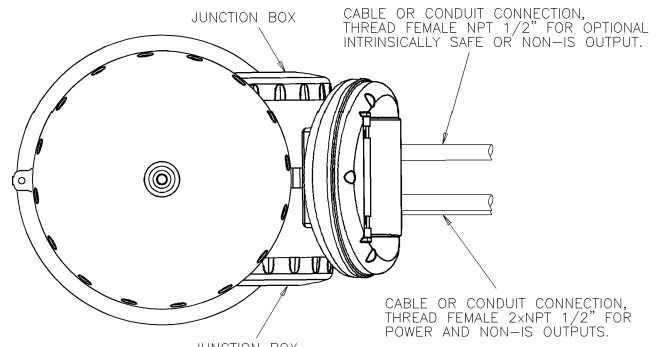


TABLE 1.

FLANGE SIZE DN / ANSI	ANTENNA SIZE (mm)		ANTENNA PLATE OD $\varnothing$ (mm)
	$\varnothing D(\text{MAX})$	L	
80 / 3"	70	95	$\varnothing 130$
100 / 4"	93	150	$\varnothing 154$
150 / 6"	141	260	$\varnothing 215$
200 / 8"	189	375	$\varnothing 265$

- ④ OUTSIDE DIAMETER OF GASKET AND ANTENNA PLATE SHALL BE ADJUSTED TO FIT GASKET SURFACE OF THE FLANGE.
- ③ FOR BEST PERFORMANCE: CONNECTION INLETS SHALL NOT PROTRUDE INTO THE INSIDE OF STAND PIPE. STAND PIPE TO BE CLEAN INSIDE AND FREE FROM DISTURBING OBJECTS. NO BURRS etc.
- ② NORMALLY A GAP OF 10MM IS ALLOWED BETWEEN CONE AND PIPE IF THE INLET PIPE DIAMETER IS < 1 1/2". FOR INLET PIPES > 2" THE ALLOWED GAP IS REDUCED TO MAX 1MM.
- ① PRESSURE AND TEMP RATING: FOR PRESSURE APPLICATIONS, CALCULATION OF FLANGE THICKNESS HAS TO BE DONE WITH RESPECT TO FLANGE MATERIAL, GASKET TYPE AND BOLTING. MAX ALLOWABLE RATING FOR ANTENNA TANK SEAL ARE DEPENDING ON THE SEAL TYPE AND O-RING SELECTION.

POS	ITEM DESCRIPTION	QTY	REMARK	SUPPLIER
06	GASKET	1	SEE NOTE 1 AND 4.	CUSTOMER
05	ANTENNA PLATE	1	DIMENSIONS, SEE TABLE 1.	RTR
04	BOLTING	1	ACC TO FLANGE STD	CUSTOMER
03	FLANGE WITH CENTRE HOLE $\varnothing 34 \pm 0.3\text{mm}$ . THICKNESS: Max 42mm	1	FLANGE DIMENSIONS ACC TO: EN1092-1, DN80-DN200, ANSI B16.5, 3"-8"	CUSTOMER
02	PIPE FLANGE	1	P/T RATING, SEE NOTE 1.	
01	STAND PIPE (BRIDLE)	1		CUSTOMER

ISSUED BY				INSTALLATION DRAWING TITLE				
GU-HF	WEEK 0307	PRODUCT CODE PRO/5600	FILE ACAD	MECHANICAL INSTALLATION DWG PRO/5600, BRIDLE				
APPROVED BY GST-TK		WEEK 0307	ORIGINAL DWG NO. 9150074-941	SCALE -	DOC TYPE 2			DWG NO. 9150074-941
<b>ROSEMOUNT</b>				1 ST ANGLE	2		3	1/2

THE COPYRIGHT/OWNERSHIP OF THIS DOCUMENT IS AND WILL REMAIN OURS. THE DOCUMENT MUST NOT BE USED WITHOUT OUR AUTHORIZATION OR BROUGHT TO THE KNOWLEDGE OF A THIRD PARTY. CONTRAVENTION WILL BE PROSECUTED. ROSEMOUNT TANK RADAR AB, SWEDEN.