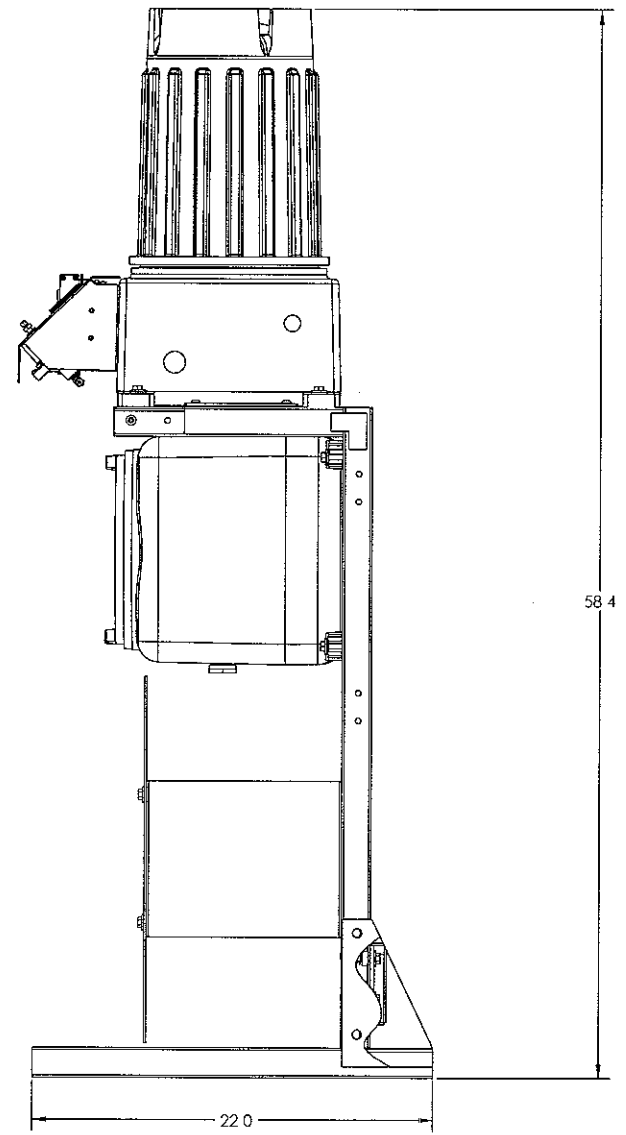
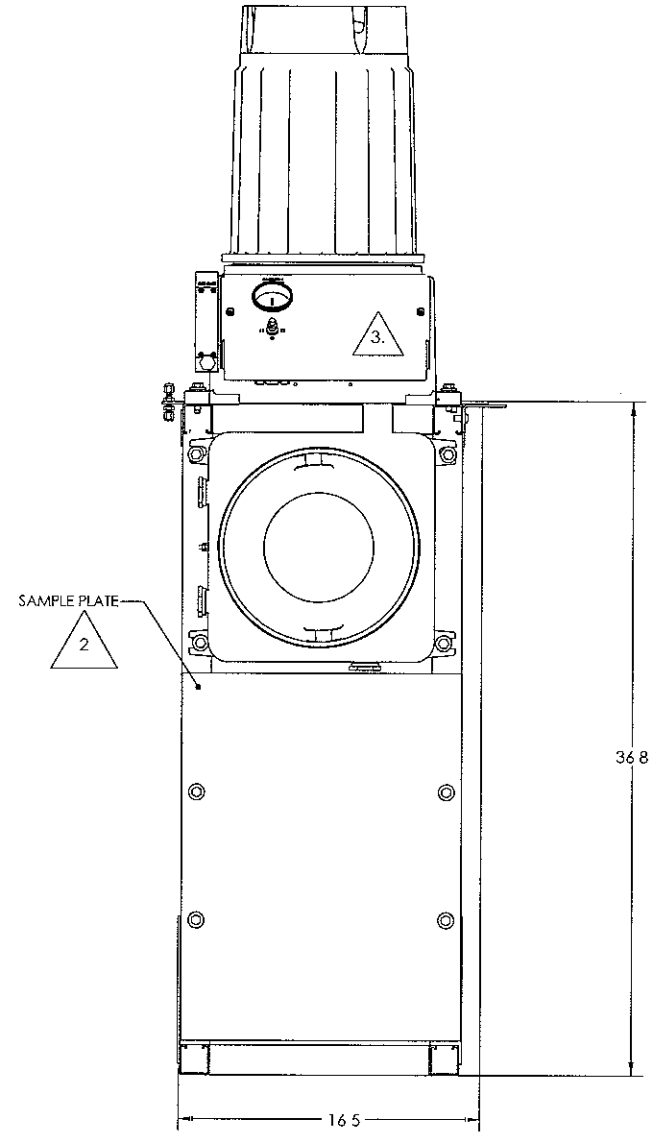
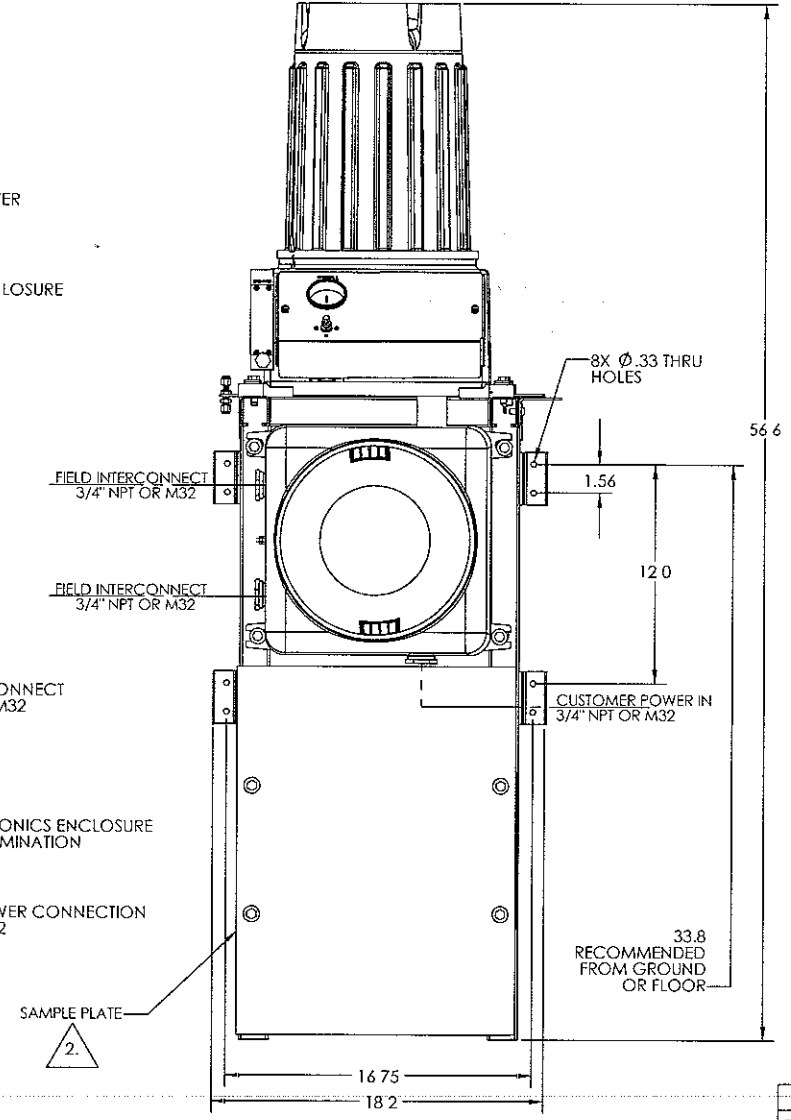
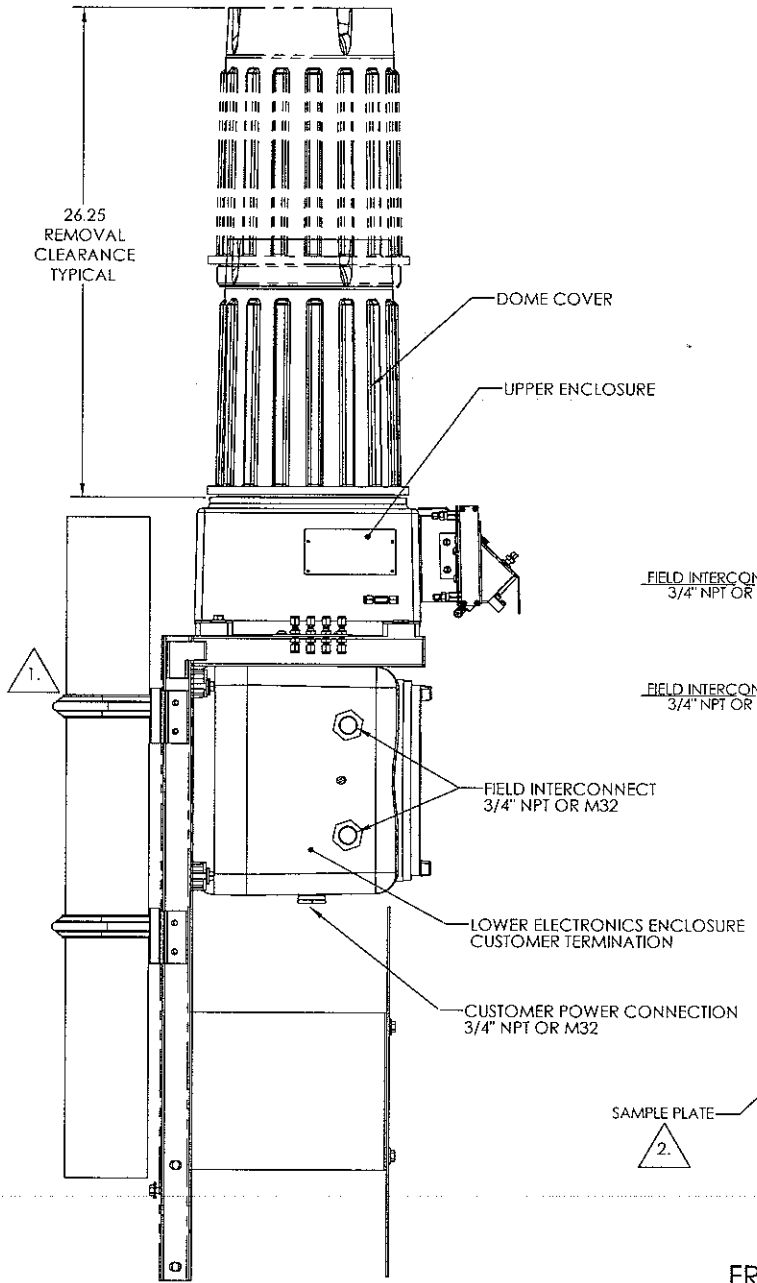


- NOTES:**
1. PIPE MOUNTING KIT TO BE SHIPPED LOOSE WITH UNIT. ONLY ANGLE BRACKETS AND BRACKET MOUNTING HARDWARE ARE INSTALLED.
 2. SEE SAMPLE PLATE DRAWING FOR ASSEMBLY.
 3. SHOWN WITH ONE GAGE & REGULATOR BUT MAY HAVE TWO EACH.



POLE MOUNT UNIT

FRONT VIEW WALL MOUNT UNIT

FRONT VIEW FLOOR MOUNT UNIT

SIDE VIEW FLOOR MOUNT UNIT

SI METRIC		THIRD ANGLE PROJECTION		MATERIAL		FINISH		PROJ. FILE NO.	
D	7-13-07	HM	ECO-XX-5002932	EM	DLT	N/A		G-00001	
C	8/22/05	HM	ECO-XX-5001024	DLT	BLB				
B	6-10-04	HM	ECO-XX-203565	EM	DLT				
A	1-29-04	HM	RELX-196577	DLT	BLB				
I	9-03	HM	RELEASED	DLT	BLB				
REV	DATE	DRN	DESCRIPTION	CHKD	APPD				

GEOMETRIC TOLERANCES & DIMENSIONS PER ANSI Y14.5 LATEST REVISION		TITLE	
UNLESS OTHERWISE NOTED ALL DIMENSIONS IN INCHES 3X .015 2X .010 ANGULAR FREE		OUTLINE & DIMENSIONAL POLE WALL & FLOOR MOUNTING UNITS MODEL 700 GC	
DRN	HM	DATE	8/13/03
CHKD	DLT	DATE	1-29-04
APPD	BLB	DATE	1-29-04
DWG. NO.		DE-20993	
SCALE		1:1	
P/N		SEE ORDER	
SHEET		1 OF 1	