

Type 1098-63EGR

Separator Backpressure Regulator

Type 1098-63EGR

The Type 1098-63EGR separator regulator provides fast, accurate and reliable pressure control for gas leg backpressure applications. A simple and durable design is utilized to withstand dirt and debris common in many separator applications without sticking and without compromising shut-off performance. The primary application for this regulator is backpressure control on the gas leg of three phase separators.

Product advantages:

- In line maintenance
- ANSI/FCI 70-3-2004 Class VI Shutoff
- Large Flow
- Fast Response



Type 1098-63EGR

Specifications:

Working Pressure/Spring Range:

3 to 82 psig / 0.2 to 5.6 bar

Sizes: 1 through 6-inch NPT, CL125 FF, CL250 FF

Temperature: -20 to 300°F / -29 to 149°C

C_v: Up to 566

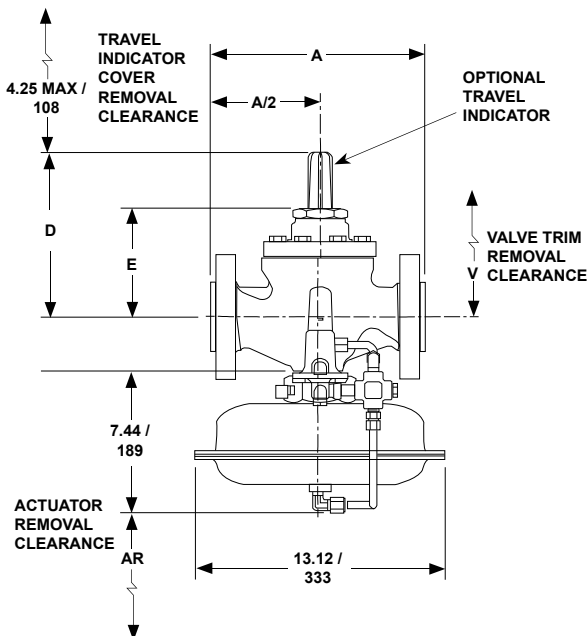
Body Material: Cast Iron

Diaphragm and Seals: Nitrile (NBR), Fluorocarbon (FKM)

Trim: Stainless steel with Nitrile (NBR) plug or Fluorocarbon (FKM) plug

Downstream Control Line Connection Size: 1/4 NPT

Dimensions



BODY SIZE, NPS / DN	COMMON DIMENSIONS, In. / mm						E (Without Travel Indicator)	V	DIMENSION SPECIFIC FOR TYPE 1098-63EGR, In. / mm
	A					AR			
	NPT	Cast Iron		Steel/Stainless Steel					
1 / 25	8.25 / 209	7.25 / 184	7.75 / 197	7.25 / 184	7.75 / 197	8.25 / 209	2.19 / 55.6	11.38 / 289	3.00 / 76.2
2 / 50	11.25 / 286	10 / 254	10.5 / 267	10 / 254	10.5 / 267	11.25 / 286	2.84 / 72.1	12.62 / 320	3.12 / 79.2
3 / 80	----	11.75 / 298	12.5 / 317	11.75 / 298	12.5 / 317	13.25 / 337	3.5 / 88.9	16.25 / 413	3.88 / 98.6
4 / 100	----	13.88 / 353	14.5 / 368	13.88 / 353	14.5 / 368	15.5 / 394	4.81 / 122	18.88 / 479	5.12 / 130
6 / 150	----	17.75 / 451	18.62 / 473	17.75 / 451	18.62 / 473	20 / 508	5.19 / 132	20 / 508	6.38 / 162
8 x 6 / 200 x 150	----	----	----	21.38 / 543	22.38 / 568	24 / 610	7.19 / 183	23.5 / 597	9.69 / 246

The One Stop For Your Complete Oil and Gas Regulating Solutions.

Pressure Reducing



Model.....Type MR105
 Body Size.....NPS 1, 2, 3 and 4
 Outlet Pressure Range.....5 to 300 psig
/ 0.34 to 20.7 bar⁽²⁾
 Maximum Inlet Pressure.....400 psig / 27.6 bar
 Operation Method.....Direct-Operated
 Body Material.....Cast Iron, Steel and
Stainless Steel
 Bulletin No.71.1:MR105



Model.....MR95 Series
 Body Size.....NPS 1/4, 1/2, 3/4, 1, 1-1/2 and 2
 Outlet Pressure Range..... 2 to 400 psig
/ 0.14 to 27.6 bar
 Maximum Inlet Pressure....1000 psig / 41.4 bar
 Operation Method.....Direct-Operated
 Body Material.....Cast Iron, Steel,
Stainless Steel, Hastelloy® C and Monel®
 Bulletin No.71.1:MR95

Backpressure



Model.....Type MR108
 Body Size.....NPS 1, 2, 3 and 4
 Control Pressure Range.....5 to 300 psig
/ 0.34 to 20.7 bar⁽²⁾
 Maximum Inlet Pressure.....400 psig
/ 27.6 bar⁽¹⁾
 Operation Method.....Direct-Operated
 Body Material.....Cast Iron, Steel and
Stainless Steel
 Bulletin No.71.4:MR108



Model.....MR98 Series
 Body Size.....NPS 1/4, 1/2, 3/4, 1, 1-1/2 and 2
 Relief Pressure Range.....2 to 375 psig
/ 0.14 to 25.9 bar
 Maximum Inlet Pressure.....400 psig / 27.6 bar
 Operation Method.....Direct-Operated
 Body Material.....Cast Iron, Steel,
Stainless Steel, Hastelloy® C and Monel®
 Bulletin No.71.4: MR98



Model.....Type 63EG-98HM
 Body Size.....NPS 2, 3, 4, 6 and 8 x 6
 Relief Pressure Range.....15 to 375 psig
/ 1.0 to 25.9 bar
 Maximum Inlet Pressure.....450 psig / 31.0 bar
 Operation Method.....Pilot-Operated
 Body Material.....Steel, Stainless Steel,
Hastelloy® C, Monel® and Alloy 20
 Bulletin No.71.4:63EG-98HM

1. For high-pressure actuator constructions with Fluorocarbon (FKM) diaphragm, maximum outlet and emergency casing pressures are limited to 230 psig / 15.8 bar or the body rating limit, whichever is lower.

2. For high-pressure actuator constructions with Fluorocarbon (FKM) diaphragm, maximum set pressure is limited to 150 psig / 10 bar.

Monel® is a mark owned by Special Metals Corporation.

Hastelloy® C is a mark owned by Haynes International, Inc.

Emerson Process Management Regulator Technologies, Inc.

USA - Headquarters
 McKinney, Texas 75070 USA
 Tel: 1-800-558-5853
 Outside U.S. 1-972-548-3574

Asia-Pacific
 Shanghai, China 201206
 Tel: +86 21 2892 9000

Europe
 Bologna, Italy 40013
 Tel: +39 051 4190611

Middle East and Africa
 Dubai, United Arab Emirates
 Tel: +971 4811 8100

