

MODELS

2 in. NPT:	Type C477-16
2 in. NPT Tee Body:	Type C471-16
3 in. NPT:	Type C477-24
3 in. NPT Tee Body:	Type C471-24
3 in. Single Flange:	Type C484-24
3 in. Double Flange:	Type C483-24
3 in. NPT x Flange:	Type C486-24

OPTIONS

Seat Discs

Standard disc and O-ring material is Nitrile (NBR), Neoprene (CR), Viton®, Teflon® and Kalrez® available for most types.

Excess Flow Springs

2 in. Valve:	105, 150 and 250 GPM
3 in. Single Flange:	160, 250 and 400 GPM
3 in. Double Flange:	160, 265 and 400 GPM
3 in. NPT, (incl. C486):	160, 265, 375 and 460 GPM

SUPERIOR SERVICE AND SUPPORT

Fisher™ branded LPG products are available through distributors worldwide each offering local technical support and service. Factory training on Fisher LPG valves, internal valves and relief products is available to all distributors.

Fisher LPG product specifications are available online at www.fisher.com.

Kalrez®, Teflon® and Viton® are marks owned by E.I. du Pont de Nemours and Co.

Emerson Process Management Regulator Technologies, Inc.

Americas - Worldwide Headquarters

3200 Emerson Way
McKinney, Texas 75070 USA
T: +1 800 558 5853
T: +1 972 548 3574
F: +1 972 542 6433
www.fisher.com

Asia Pacific

T: +65 6770 8337

Europe

Natural Gas: T: +39 051 419 0611
Industrial: T: +39 051 419 0606
LP-Gas: T: +39 051 419 0611
TESCOM: T: +49 (0) 38823 31 0

Middle East

T: +971 4811 8100

FISHER™


EMERSON
Process Management

D450219T012 © 2009, 2016 Emerson Process Management Regulator Technologies, Inc. All rights reserved. Printed in the U.S.A. 07/16. Jet Bleed Internal, Fisher, Emerson Process Management, and the Emerson Process Management design are marks of one of the Emerson Process Management group of companies. All other marks are the property of their respective owners.

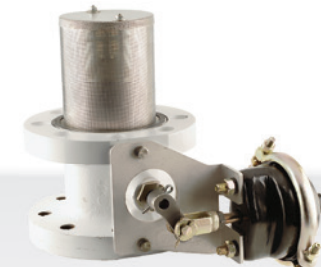
Fisher™ Internal Valves

An Industry Original Just Got Faster

Featuring

JET BLEED

Internal™ Valve Technology



TYPE C483



TYPE C484



TYPE C477



TYPE C486



JET BLEED
Internal™ Valve Technology

FISHER™

www.fisher.com
For Information Call: 1 800 558 5853

Emerson Process Management
Regulator Technologies, Inc.
3200 Emerson Way
McKinney, Texas 75070 USA

FISHER™

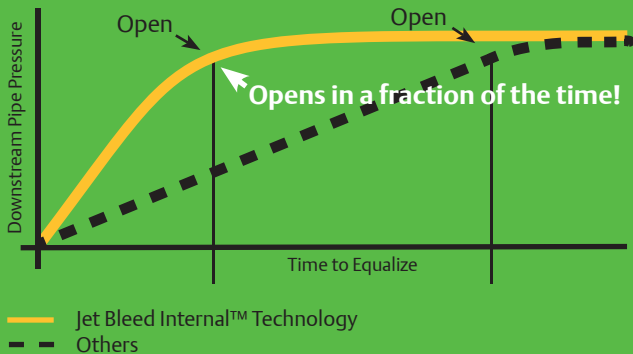
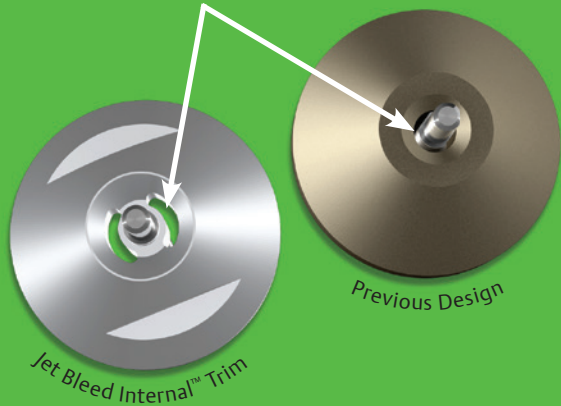

EMERSON
Process Management

PERFORMANCE and VALUE

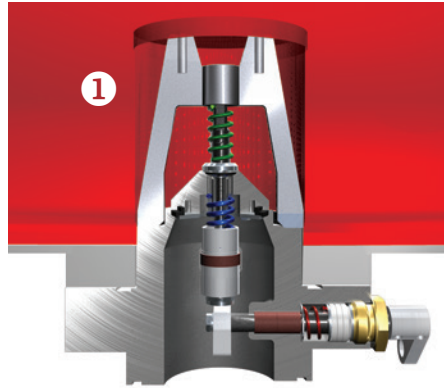
Fisher™ Jet Bleed Internal™ Valves target speed of opening issues commonly encountered in the operation of internal valves. Enlarged bleed ports provide faster equalization of tank pressure and downstream line pressure, giving a faster response time for quick valve opening.

- Allows operators to be more efficient
- Reduces potential for damage caused by running pumps dry
- Improved service features for easy maintenance

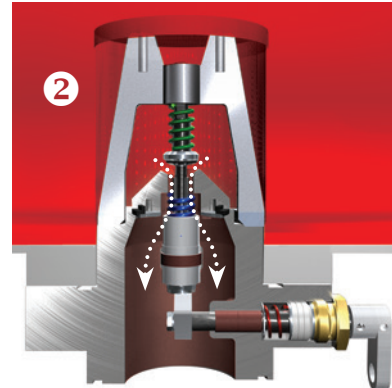
INCREASED BLEED AREA



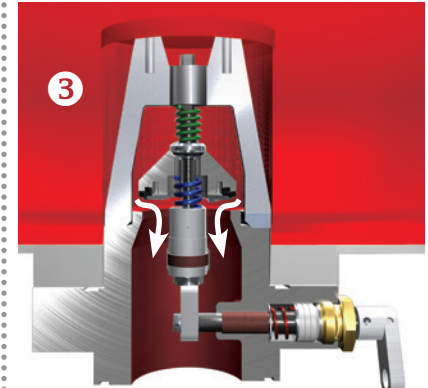
OPERATION



1 Valve is held closed permitting a tight seal by both tank pressure and the valve's closing spring.



2 As the actuator moves the operating lever to mid-stroke, rapid equalization occurs through the enlarged bleed ports.



3 Tank and downstream volume pressures equalize quickly with the Jet Bleed Internal™ Valve trim and the main poppet opens.

DURABILITY

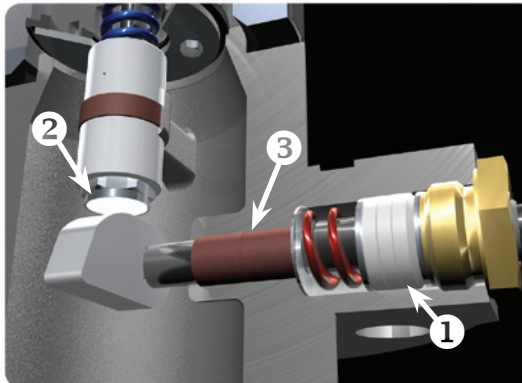


Redesigned stem provides a smooth interface with the poppet delivering exceptional wear performance and extended valve life.

FIELD PROVEN FEATURES

Fisher C Series Internal Valves have long been known for reliability, the Fisher Jet Bleed Internal™ Valves carry that tradition forward.

- Spring loaded TFE stub shaft packing ①
- Removable cam and gland housings
- TFE wear pads at critical points ②
- Rulon® bushings ③
- Repairable seats



SERVICEABILITY

New features have been added to the Jet Bleed Internal™ Valve trim:

- Jet Bleed Internal™ Valve trim sets are interchangeable with current Fisher Valve products*
- Simple Design – No filters to change or external equipment to maintain
- All stainless steel trim construction
- Stainless steel hex head bolts
- Wrench/Vise flats added to the main poppet

*Trim sets are not interchangeable with Type C404-24 (3 in.) valves. Rulon® is a mark owned by Saint-Gobain Performance Plastics Corporation.

