

# FlowScanner™ Travel Transducer Mounting Kit for Common Rotary

The FlowScanner Travel Transducer Mounting Kit for Common Rotary (RTY) valve assemblies is used to securely place the travel transducer in order to accurately measure valve travel for a diagnostic test. This quick-connection apparatus temporarily connects to the actuator's yoke or casing and provides an adjustable means to affix the FlowScanner Rotary Travel Transducer.

This quick-connection apparatus temporarily connects to the actuator's yoke or casing and provides an adjustable means to affix the FlowScanner Rotary Travel Transducer with access to the end of a rotating shaft. Alternatively, the FlowScanner Linear Travel Transducer can also be affixed with perpendicular, clear access to the valve shaft.

The FlowScanner Travel Transducer RTY Mounting Kit is designed to reduce diagnostic testing hook-up time by incorporating quick action concepts within the bracketry. The single clamping motion used to connect a travel transducer mounting location reduces time required to setup a control valve assembly for diagnostic testing. Valve travel is a vital characteristic to all control valves and accurate measurement of valve travel is significantly important during diagnostic testing. The RTY Mounting Kit will improve the measurement of travel and the resulting diagnostic testing.

## Features

- **Ease of use**—A single clamping motion followed by proper adjustment of the positioning arm aligns the travel transducer to the valve shaft allowing the user a means to become consistent in diagnostics testing.
- **Adjustability**—The clamping width is adjustable and the positioning arm has infinite configurations to position the travel transducer in the correct alignment.
- **Versatility**—Jointed positioning arm can be manipulated into infinite locations, yet placed in the proper position regardless of the actuator model and size. Either the FlowScanner Rotary Travel Transducer or the FlowScanner Linear Travel Transducer can be attached for measurement providing options for all rotary control valve assemblies.
- **Sturdy Mounting**—The clamp's profiled rail is thick and acts as a steady base for the positioning arm.
- **Fast**—Reduces diagnostic test hook-up time of travel transducer, greatly lowering the overall diagnostic testing time.

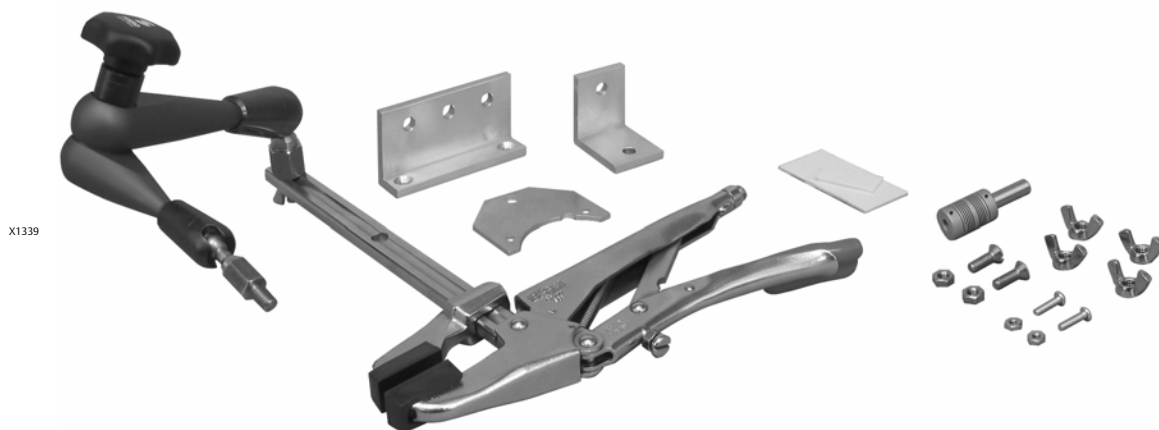
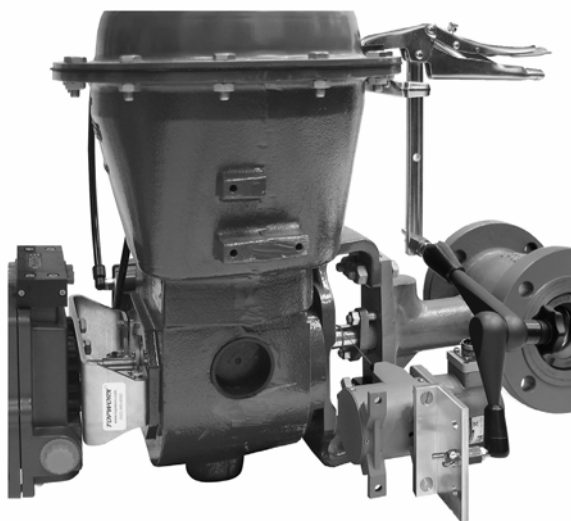


Figure 1. RTY Mounting Kit



X1341

Figure 2. Alternate Configuration



X1342

## Available Configurations

RTY Mounting Kit: P/N GE80354X012

## Mechanical Specifications

Construction: Steel, Aluminum

Clamping Force: 450 lbs typical

Clamp Opening Width: 7 inches

Positioning Arm Length: 12 inches

## Compatible Actuators

Fisher™ 1051/1052, sizes 20 to 70

Fisher 2052, sizes 1 to 3

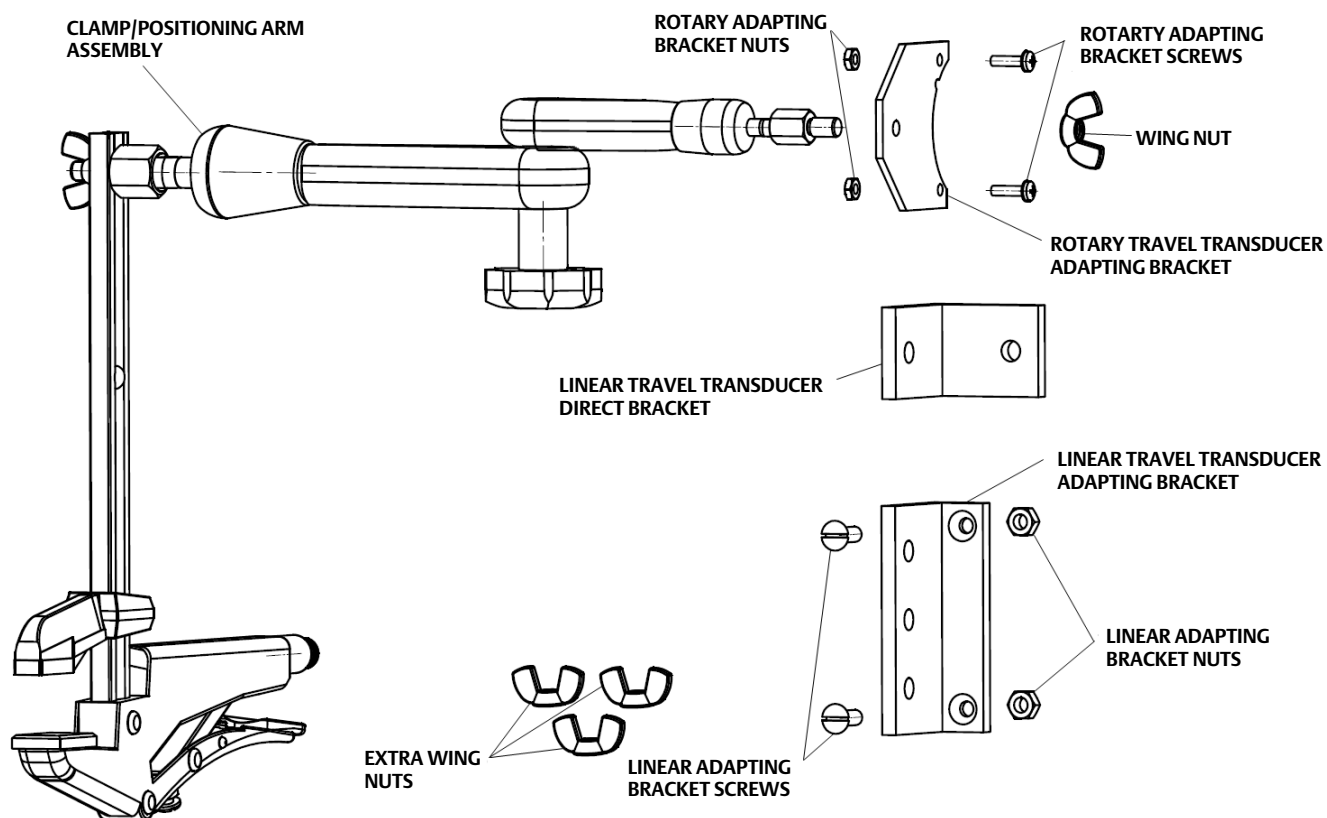
Many other rotary actuators with end shaft access

Many other rotary actuators with clear valve shaft access

## Parts Included

Qty	Description	Qty	Description
1	Clamp/Positioning Arm Assembly	1	Linear Travel Transducer Direct Bracket
1	Flexible Coupling	4	Adapting Bracket Screws (2-Linear, 2-Rotary)
1	Coupling Shaft	4	Adapting Bracket Nuts (2-Linear, 2-Rotary)
1	Rotary Travel Transducer Adapting Bracket	4	Wing Nuts
1	Linear Travel Transducer Adapting Bracket	20	Mounting Tape

Figure 3. CAD Drawing



Not Shown:  
Flexible Coupling  
Coupling Shaft  
Mounting Tape

## Product Bulletin

56.2:Rotary Mtg Kit  
May 2016

## FlowScanner Rotary Mounting Kit

D104184X012

---

Neither Emerson, Emerson Process Management, nor any of their affiliated entities assumes responsibility for the selection, use or maintenance of any product. Responsibility for proper selection, use, and maintenance of any product remains solely with the purchaser and end user.

FlowScanner and Fisher are marks owned by one of the companies in the Emerson Process Management business unit of Emerson Electric Co. Emerson Process Management, Emerson, and the Emerson logo are trademarks and service marks of Emerson Electric Co. All other marks are the property of their respective owners.

The contents of this publication are presented for informational purposes only, and while every effort has been made to ensure their accuracy, they are not to be construed as warranties or guarantees, express or implied, regarding the products or services described herein or their use or applicability. All sales are governed by our terms and conditions, which are available upon request. We reserve the right to modify or improve the designs or specifications of such products at any time without notice.

Emerson Process Management  
Marshalltown, Iowa 50158 USA  
Sorocaba, 18087 Brazil  
Cernay, 68700 France  
Dubai, United Arab Emirates  
Singapore 128461 Singapore

[www.Fisher.com](http://www.Fisher.com)