

# FlowScanner™ Travel Transducer Mounting Kit for Common Sliding-Stem

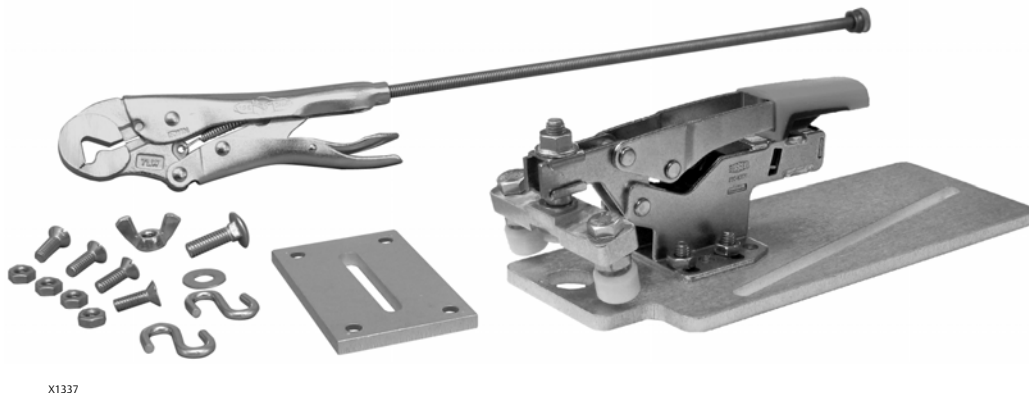
The FlowScanner Travel Transducer Mounting Kit for Common Sliding-Stem (CSS) valve assemblies is used to securely attach the travel transducer in order to accurately measure valve travel for a diagnostic test. This quick-connection apparatus connects to the actuator's diaphragm casing lip temporarily and provides an adjustable means to affix the FlowScanner Linear Travel Transducer.

The FlowScanner Travel Transducer CSS Mounting Kit is designed to reduce diagnostic testing hook-up time by incorporating quick action concepts within the bracketry. The single clamping motion used to connect a travel transducer mounting location reduces time required to setup a control valve assembly for diagnostic testing. Valve travel is a vital characteristic to all control valves and accurate measurement of valve travel is significantly important during diagnostic testing. The CSS Mounting Kit will improve the measurement of travel and the resulting diagnostic testing.

## Features

- **Ease of use**—A single motion, one hand use, is needed to clamp this bracket on to the actuator allowing the user a means to become repetitive in testing hook-ups. The same applies to connecting the modified locking wrench to the valve stem or feedback arm.

- **Fast**—Reduces diagnostic test hook-up time of travel transducer, greatly lowering the overall diagnostic testing time.
- **Auto-Adjusting Clamp**—The clamping width is auto adjusting to different heights, corresponding to different actuator casing lip thicknesses. No individual adjustment is required.
- **Compatibility**—Fits all Fisher™ and most other spring and diaphragm actuators with stamped steel casings.
- **Versatility**—Slotted bracket allows travel transducer to be infinitely placed, yet placed in the proper position regardless of the actuator model and size, allowing the cable to be parallel to the valve's travel.
- **Sturdy Mounting**—The combination of high clamping force, a wide clamping surface, and a thick, flat aluminum bracket creates a solid mounting location for the travel transducer.



## Product Bulletin

56.2:CSS Mtg Kit  
May 2016

## FlowScanner Common Sliding-Stem Mounting Kit D104182X012

### Available Configurations

CSS Mounting Kit: P/N GE80360X012

### Mechanical Specifications

Construction: Steel, Aluminum

Clamping Force: 500 lbs typical

Clamp Opening Width: 0.375 inch to 0.800 inch

Clamping Bracket Length: 10 inches

Modified Locking Wrench Length: 19 inches

### Compatible Actuators

Fisher 657, sizes 30 to 70

Fisher 667, sizes 30 to 70

Fisher GX, all sizes

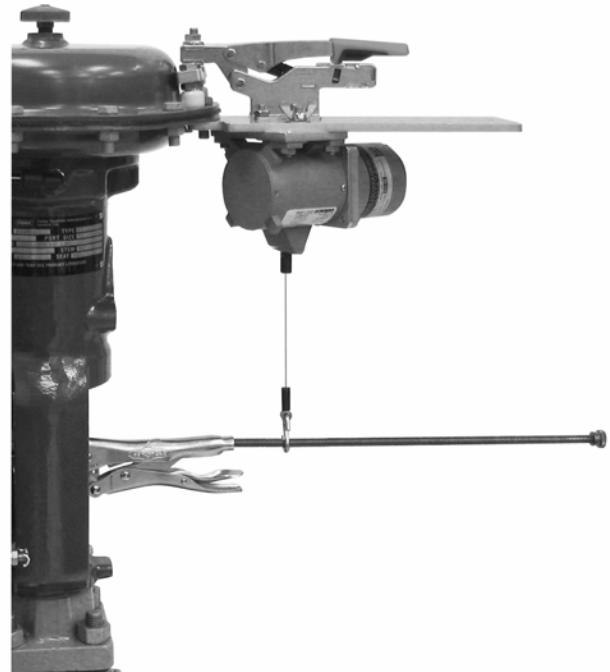
Masoneilan 37/38

Masoneilan 87/88

Copes/Vulcan 700 Series

Many other spring and diaphragm actuators with stamped steel casings

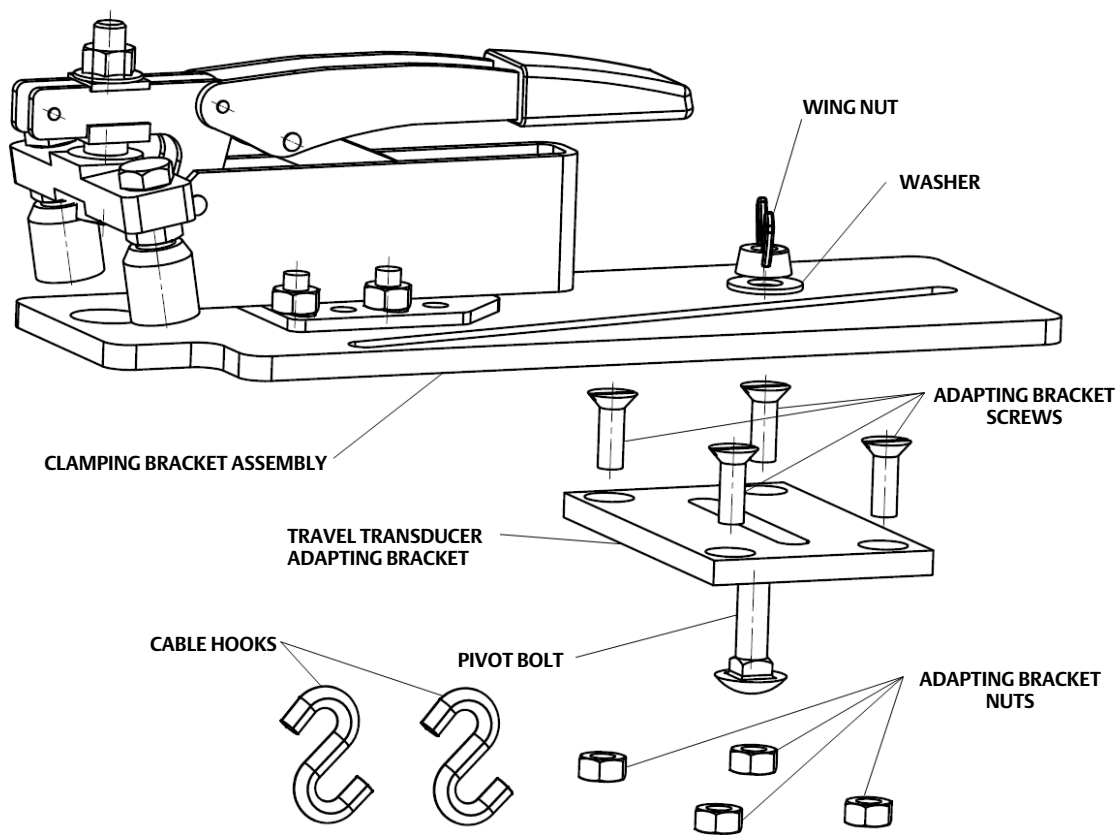
Figure 1. CSS Mounting Kit



## Parts Included

Qty	Description	Qty	Description
1	Clamping Bracket Assembly	4	Adapting Bracket Nuts
1	Modified Locking Wrench	1	Pivot Bolt
1	Travel Transducer Adapting Bracket	1	Washer
4	Adapting Bracket Screws	1	Wing Nut
		2	Cable Hooks

**Figure 2. CAD Drawing**



Not Shown:  
Modified Locking Wrench

## Product Bulletin

56.2:CSS Mtg Kit  
May 2016

FlowScanner Common Sliding-Stem Mounting Kit  
D104182X012

---

Neither Emerson, Emerson Process Management, nor any of their affiliated entities assumes responsibility for the selection, use or maintenance of any product. Responsibility for proper selection, use, and maintenance of any product remains solely with the purchaser and end user.

FlowScanner and Fisher are marks owned by one of the companies in the Emerson Process Management business unit of Emerson Electric Co. Emerson Process Management, Emerson, and the Emerson logo are trademarks and service marks of Emerson Electric Co. All other marks are the property of their respective owners.

The contents of this publication are presented for informational purposes only, and while every effort has been made to ensure their accuracy, they are not to be construed as warranties or guarantees, express or implied, regarding the products or services described herein or their use or applicability. All sales are governed by our terms and conditions, which are available upon request. We reserve the right to modify or improve the designs or specifications of such products at any time without notice.

Emerson Process Management  
Marshalltown, Iowa 50158 USA  
Sorocaba, 18087 Brazil  
Cernay, 68700 France  
Dubai, United Arab Emirates  
Singapore 128461 Singapore

[www.Fisher.com](http://www.Fisher.com)