

## Mounting Instructions

D104000X012  
May 2014

## DVC6200/DVC2000 Digital Valve Controller on Linear Roller Cam Actuator Side Mounting

Use these instructions to mount a FIELDVUE™ DVC6200/2000 to a linear actuator.

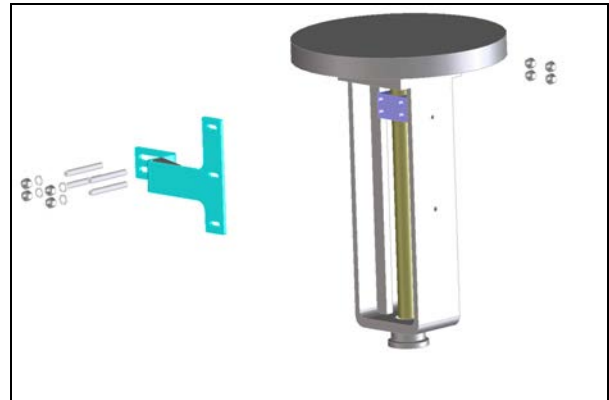
### **⚠ WARNING**

Avoid personal injury or property damage from sudden release of process pressure or bursting of parts. Before performing any maintenance operations:

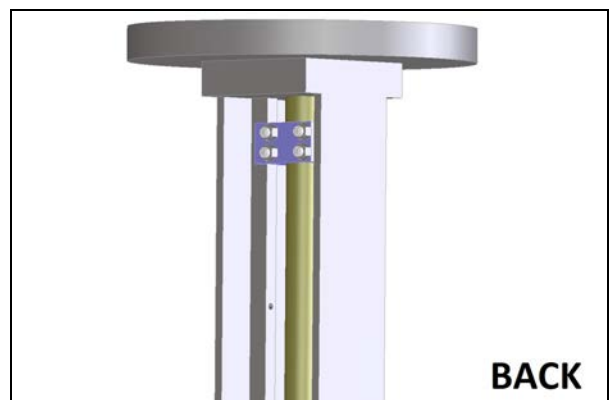
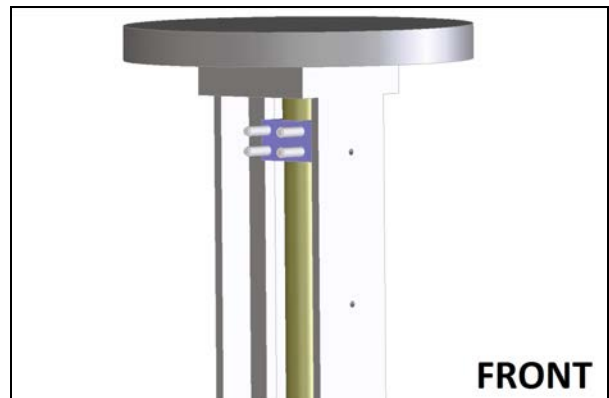
- Always wear protective clothing, gloves, and eyewear.
- Do not remove the actuator from the valve while the valve is still pressurized.
- Disconnect any operating lines providing air pressure, electric power, or a control signal to the actuator. Be sure the actuator cannot suddenly open or close the valve.
- Use bypass valves or completely shut off the process to isolate the valve from process pressure. Relieve process pressure from both sides of the valve.
- Vent the pneumatic actuator loading pressure and relieve any actuator spring precompression.
- Use lock-out procedures to be sure that the above measures stay in effect while you work on the equipment.
- Check with your process or safety engineer for any additional measures that must be taken to protect against process media.

Refer to the appropriate actuator instruction manual for actuator installation, operation, maintenance, and parts identification as this manual may or may not include all components shown for kit installation.

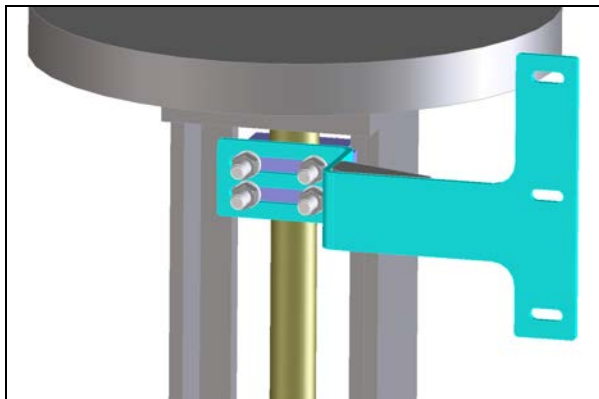
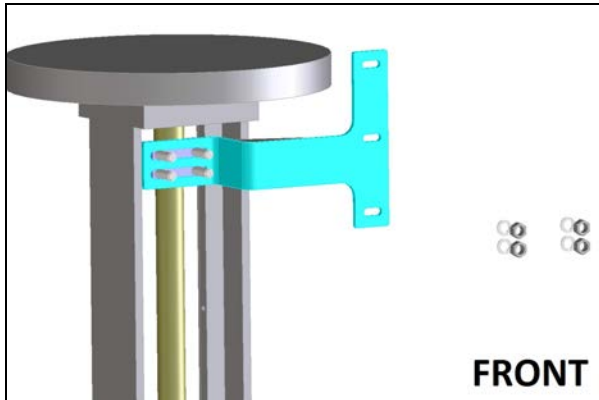
1. Isolate the control valve from the process line pressure and release pressure from both sides of the valve body. Shut off all pressure lines to the actuator, releasing all pressure from the actuator. Use lock-out procedures to be sure that the above measures stay in effect while you work on the equipment.



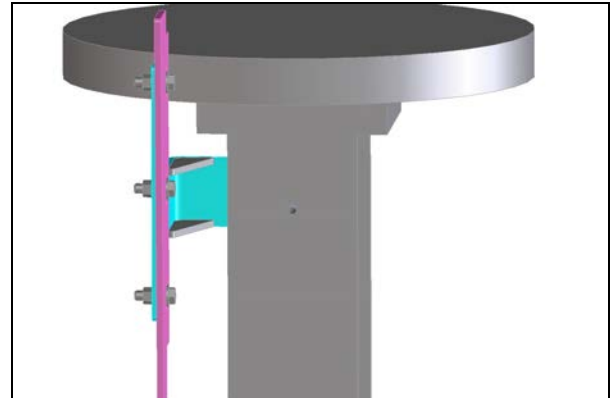
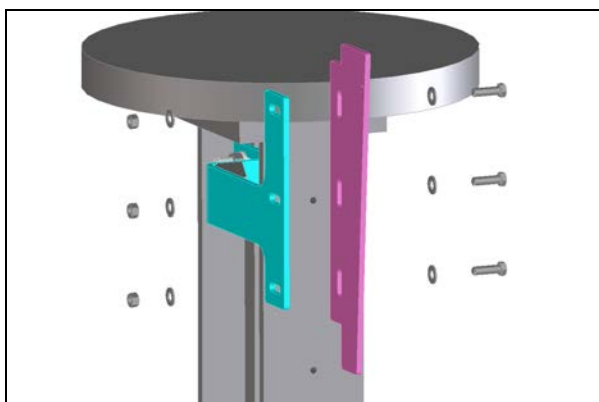
2. Remove stem block nuts. Insert Stem Block Studs and Tighten backside Nuts.



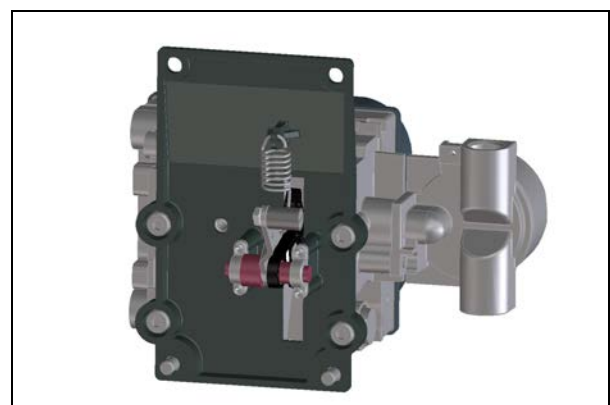
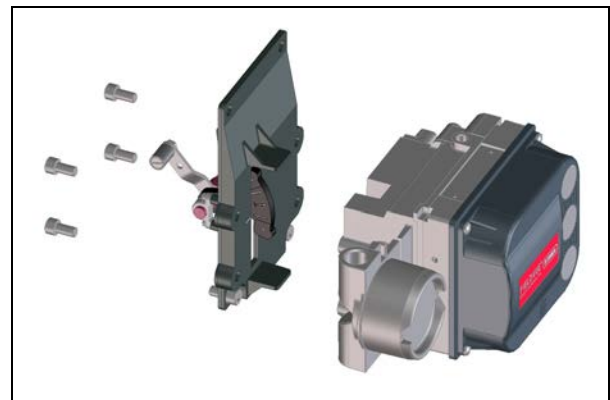
3. Place Cam Bracket Assembly onto studs, secure with appropriate hardware. Use slots for alignment of cam.



4. Attach Cam to Cam Bracket Assembly with provided fasteners. Reference Assembly Drawing.



5. Attach Linear Roller Cam (LRC) to device with supplied M8 Fasteners.

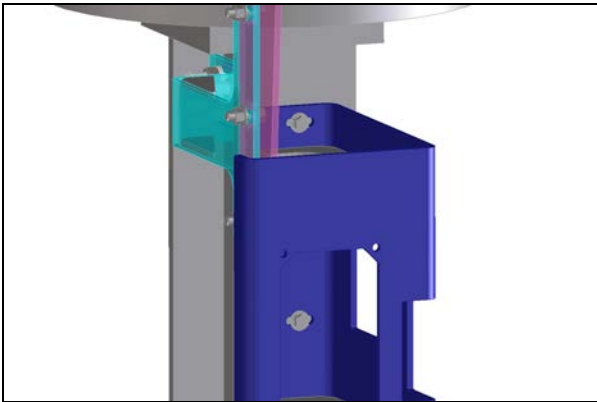
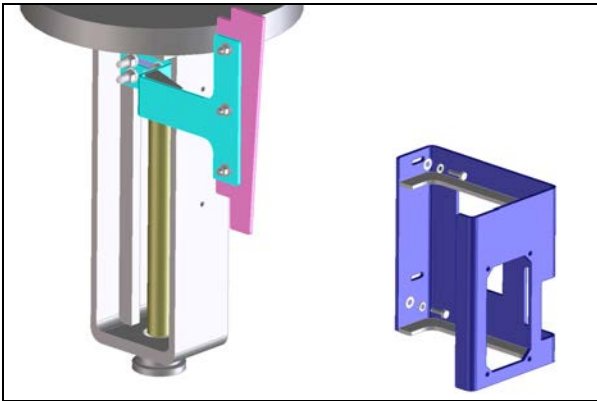


# Mounting Instructions

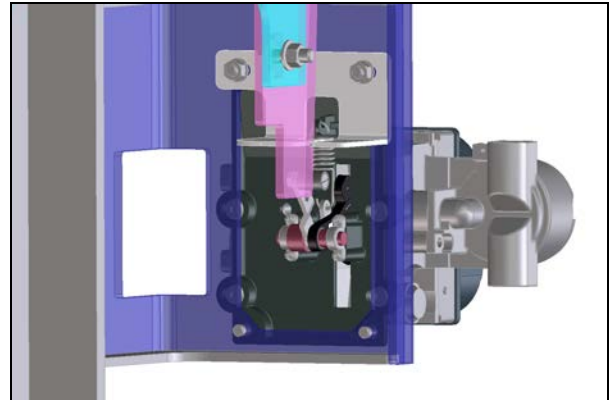
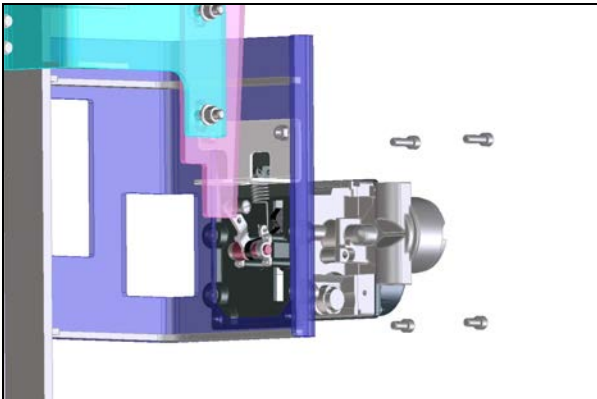
D104000X012  
May 2014

DVC6200/DVC2000  
Digital Valve Controller on  
Linear Roller Cam Actuator

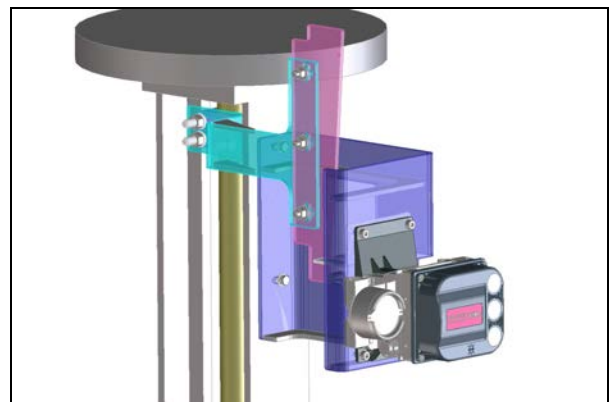
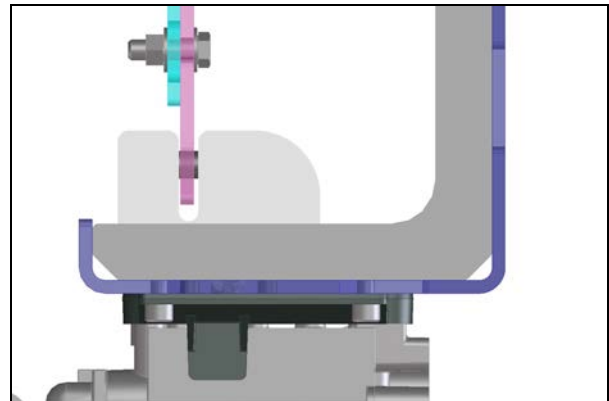
6. Attach Bracket Assembly to Yoke of Actuator.



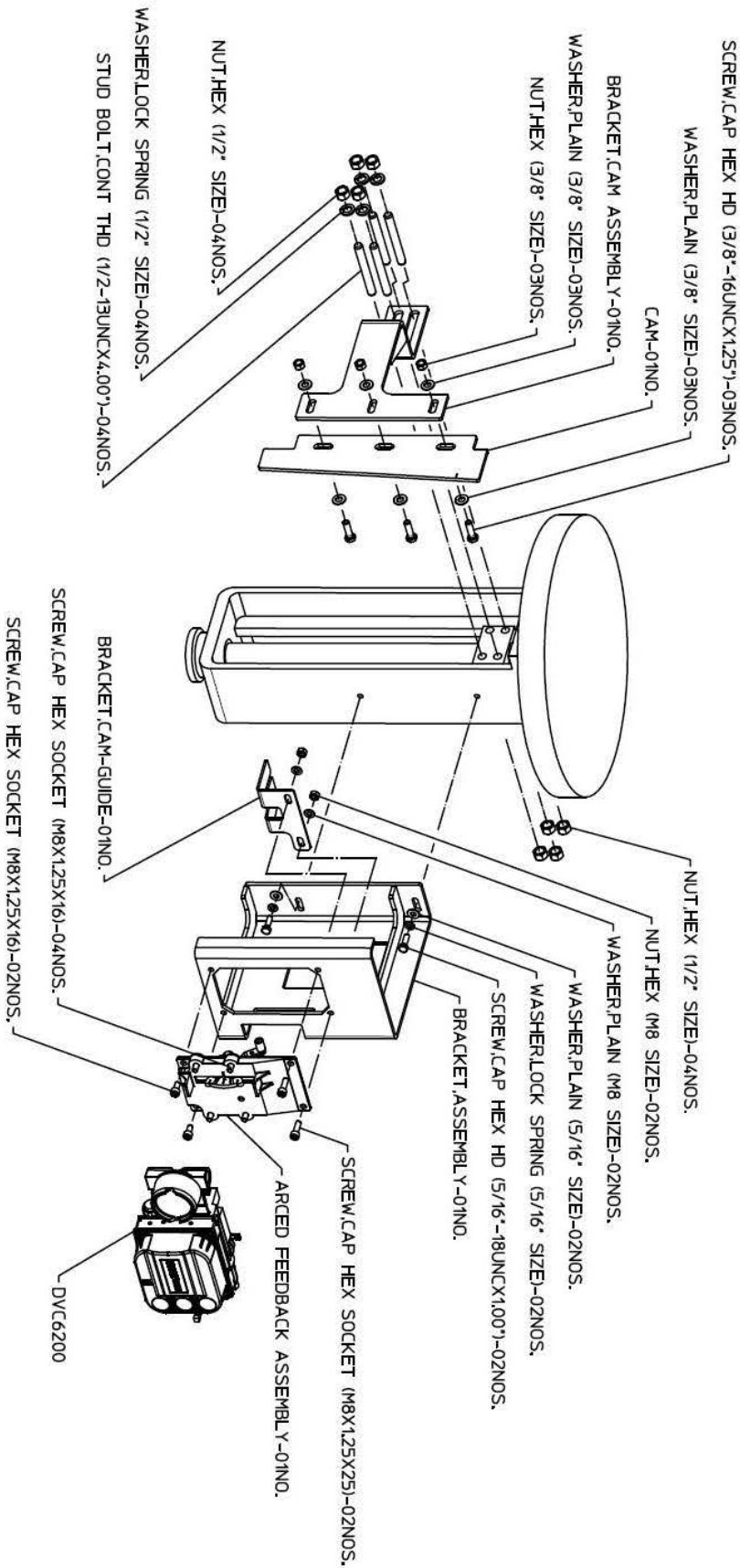
7. Attach Cam Bracket Guide, LRC, and Device to Bracket Assembly.



8. Be sure the Cam is aligned in Cam Guide Bracket.



**Refer to your assembly drawing included in Mounting kit.**



# Mounting Instructions

D104000X012  
May 2014

DVC6200/DVC2000  
Digital Valve Controller on  
Linear Roller Cam Actuator

---

Air Filter Regulator



DVC2000



Linear Feedback  
Array



Linear Roller Cam  
Assembly



DVC6200



Spacer



Cam



Extension Arm



U-Bracket



**Neither Emerson, Emerson Process Management, Fisher, nor any of their affiliated entities assumes responsibility for the selection, use and maintenance of any product. Responsibility for the selection, use and maintenance of any product remains with the purchaser and end user.**

Fisher and FIELDVUE are owned by Fisher Controls International LLC, a member of the Emerson Process Management business unit of Emerson Electric Co. Emerson Process Management, Emerson, and the Emerson logo are trademarks and service marks of Emerson Electric Co. All other marks are the property of their respective owners.

The contents of this publication are presented for informational purposes only, and while every effort has been made to ensure their accuracy, they are not to be construed as warranties or guarantees, express or implied, regarding the products or services described herein or their use or applicability. We reserve the right to modify or improve the designs or specifications of such products at any time without notice.

**Emerson Process Management**

Marshalltown, Iowa 50158 USA  
Sorocaba, 18087 Brazil  
Chatham, Kent ME4 4QZ UK  
Dubai, United Arab Emirates  
Singapore 128461 Singapore

[www.Fisher.com](http://www.Fisher.com)