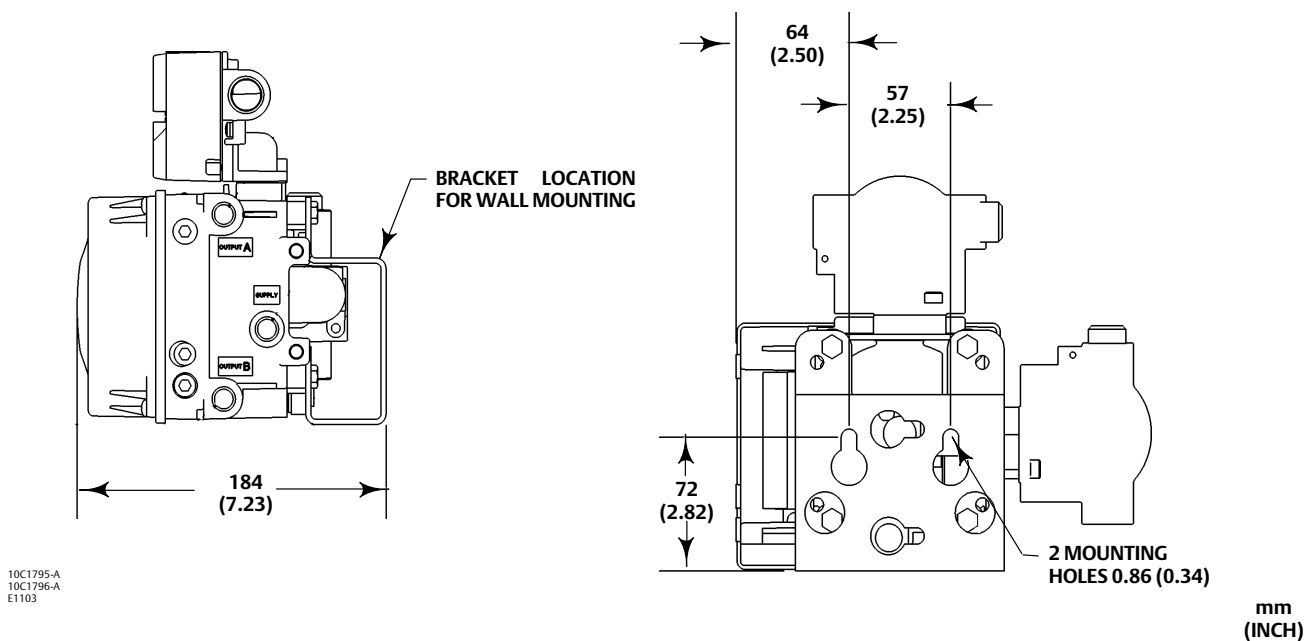


Fisher® FIELDVUE™ DVC6005 Series Digital Valve Controller and DVC6015, DVC6025, and DVC6035 Feedback Unit Dimensions

Digital Valve Controller	Configuration	Mounting	Figure	Page
DVC6005 HW2 DVC6005f	Remote mount base unit	Wall	1	1
		2 Inch Pipestand	2	2
DVC6015	Feedback unit for sliding-stem applications	Sliding-stem actuator up to 102 mm (4 inch) travel	3	3
DVC6025	Feedback unit for rotary and long-stroke sliding-stem applications	Rotary and long-stroke sliding-stem actuator	4	3
DVC6035	Feedback unit for quarter-turn rotary applications	Rotary actuator shaft	5	4

Figure 1. FIELDVUE DVC6005 HW2 and DVC6005f Base Unit; Wall Mounted



Product Bulletin

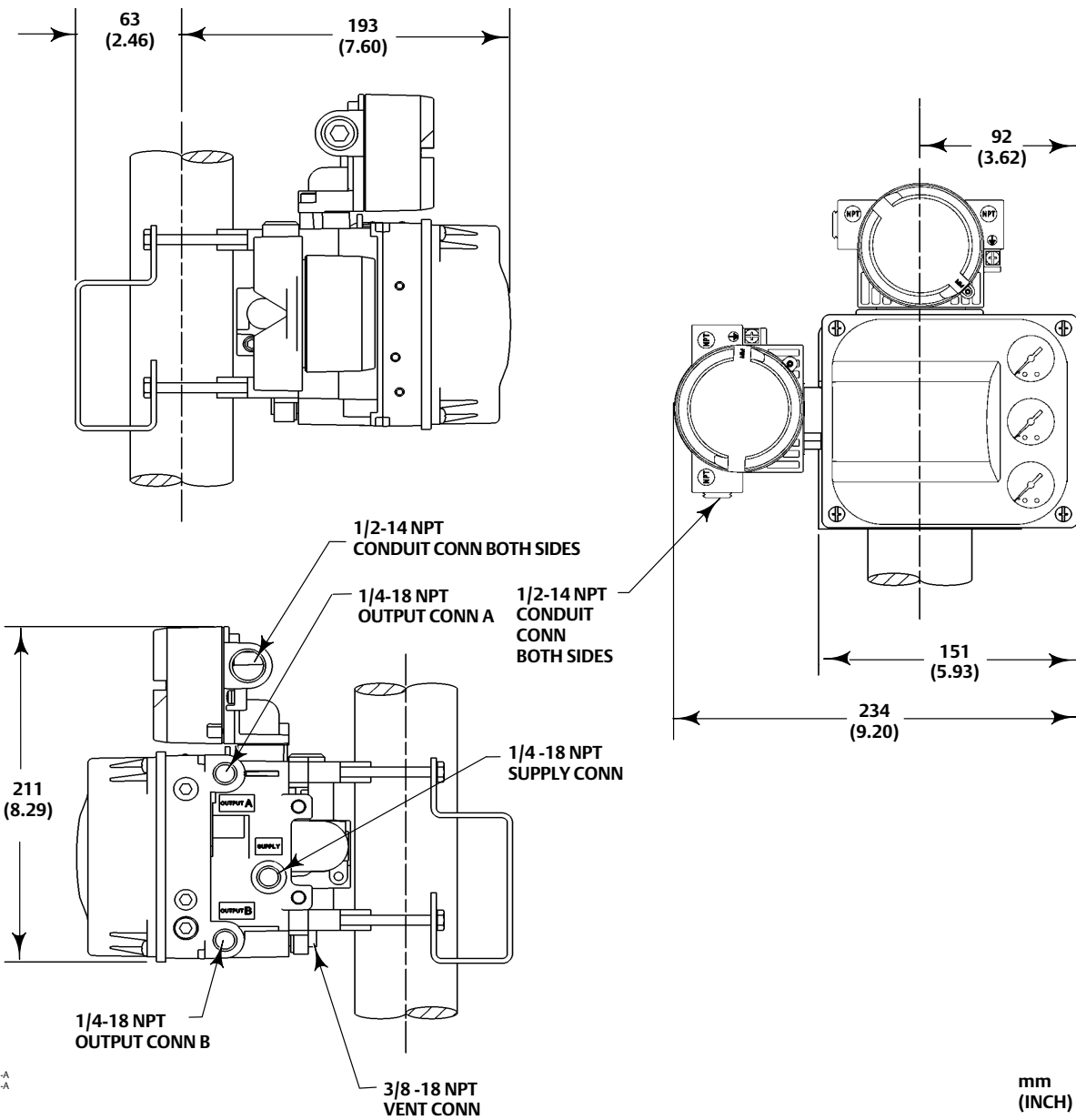
62.1:DVC6005

August 2014

DVC6005 Series Digital Valve Controllers

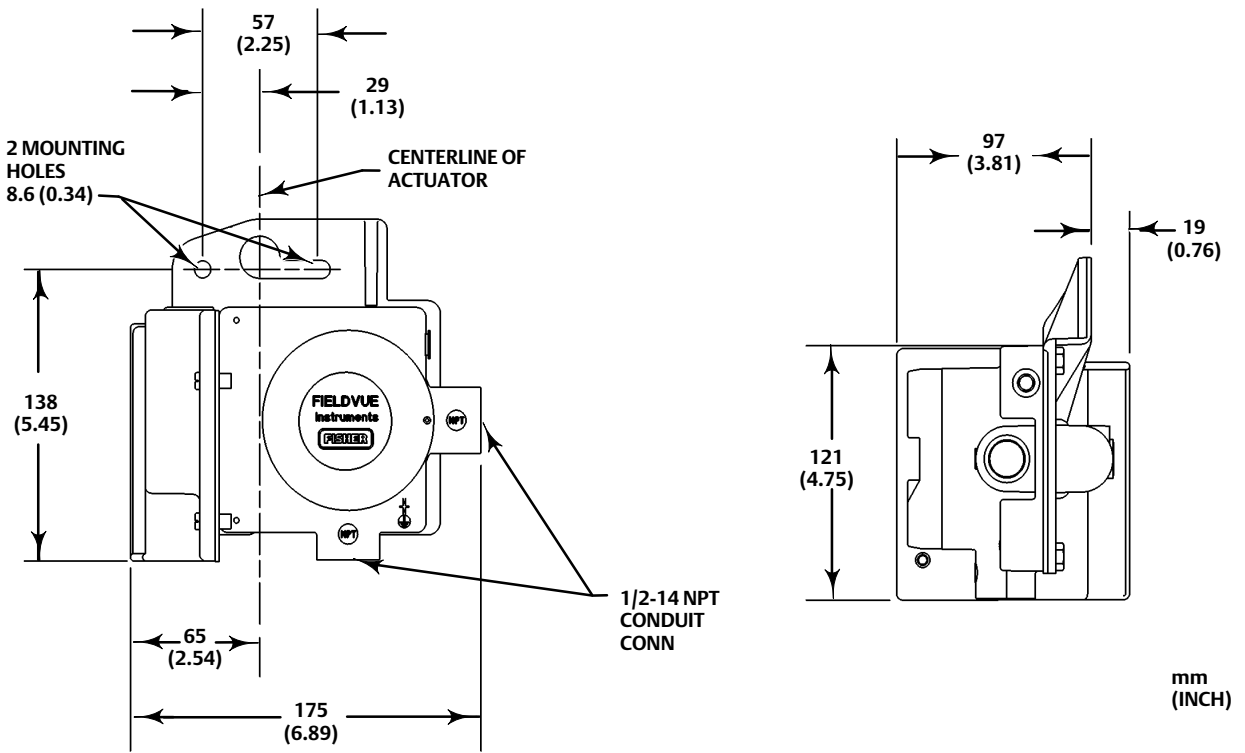
D103308X012

Figure 2. FIELDVUE DVC6005 HW2 and DVC6005f Base Unit; Pipestand Mounted



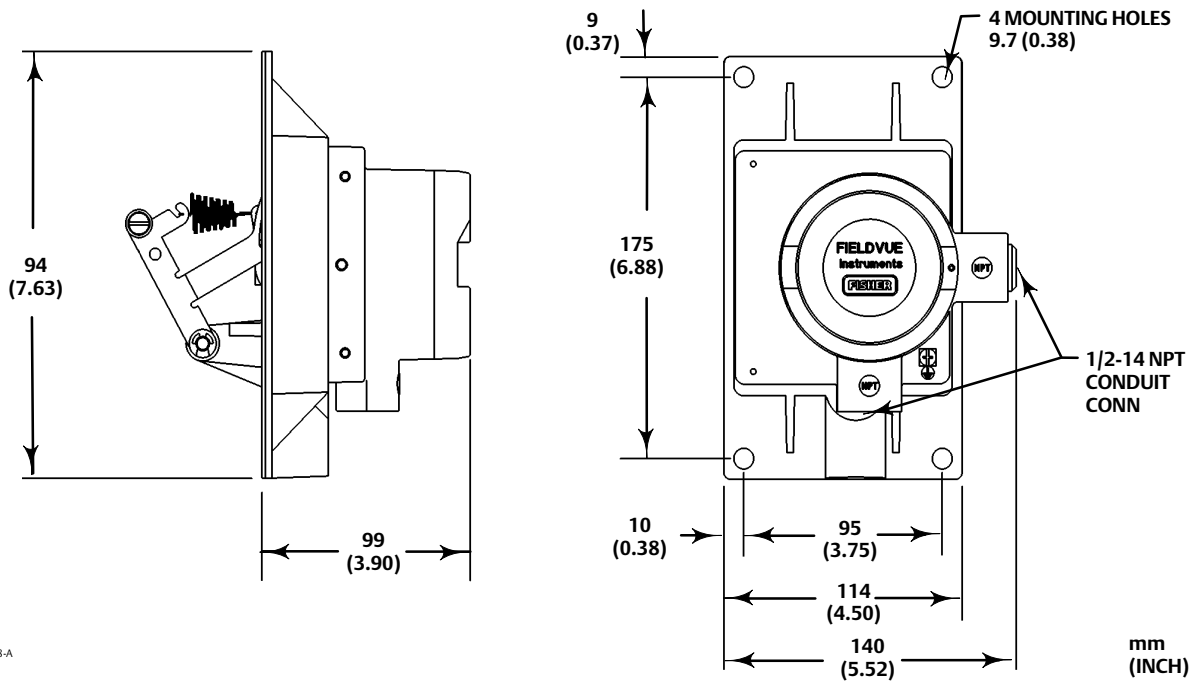
10C1795-A
10C1796-A
E1102

Figure 3. FIELDVUE DVC6015 Feedback Unit; Sliding-Stem Actuator Mounting up to 102 mm (4 inch) Travel



10C1797-A
E0867-2

Figure 4. FIELDVUE DVC6025 Feedback Unit; Rotary and Long-Stroke Sliding-Stem Actuator Mounting



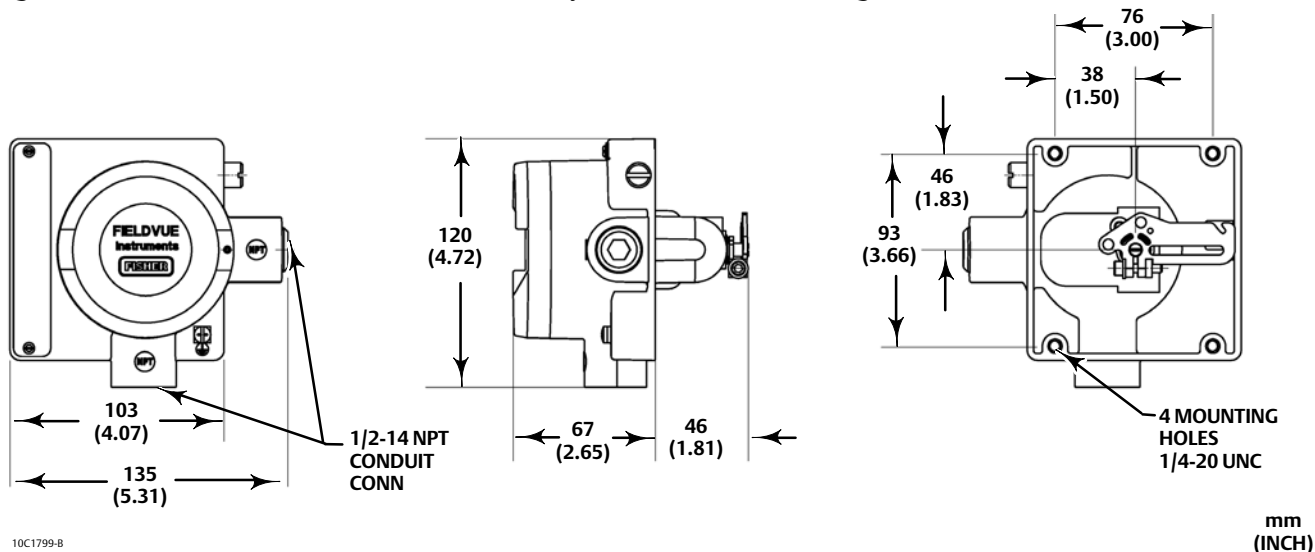
10C1798-A
E0868-2

Product Bulletin

62.1:DVC6005
August 2014

DVC6005 Series Digital Valve Controllers
D103308X012

Figure 5. FIELDVUE DVC6035 Feedback Unit; Rotary Actuator Shaft Mounting



Neither Emerson, Emerson Process Management, nor any of their affiliated entities assumes responsibility for the selection, use or maintenance of any product. Responsibility for proper selection, use, and maintenance of any product remains solely with the purchaser and end user.

Fisher and FIELDVUE are marks owned by one of the companies in the Emerson Process Management business unit of Emerson Electric Co. Emerson Process Management, Emerson, and the Emerson logo are trademarks and service marks of Emerson Electric Co. All other marks are the property of their respective owners.

The contents of this publication are presented for informational purposes only, and while every effort has been made to ensure their accuracy, they are not to be construed as warranties or guarantees, express or implied, regarding the products or services described herein or their use or applicability. All sales are governed by our terms and conditions, which are available upon request. We reserve the right to modify or improve the designs or specifications of such products at any time without notice.

Emerson Process Management
Marshalltown, Iowa 50158 USA
Sorocaba, 18087 Brazil
Chatham, Kent ME4 4QZ UK
Dubai, United Arab Emirates
Singapore 128461 Singapore

www.Fisher.com