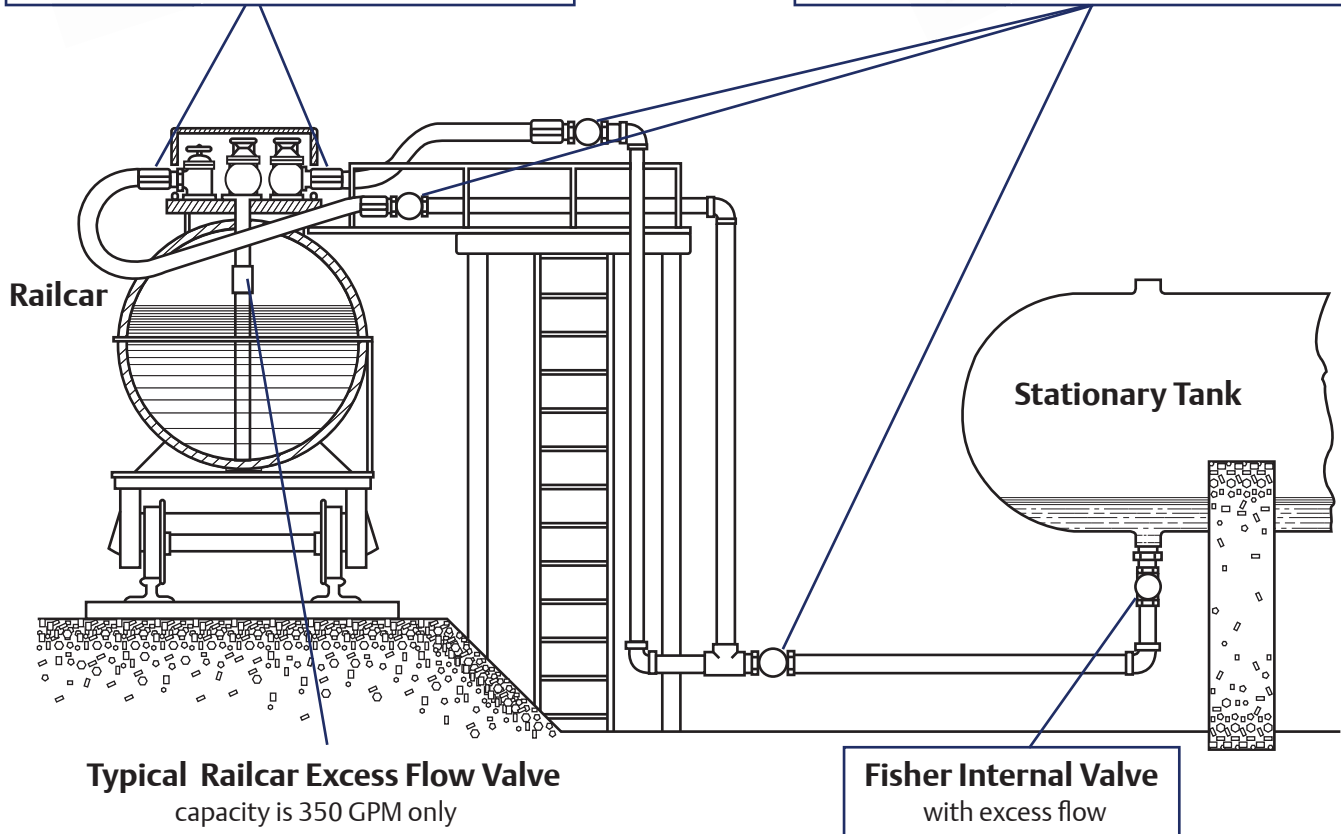
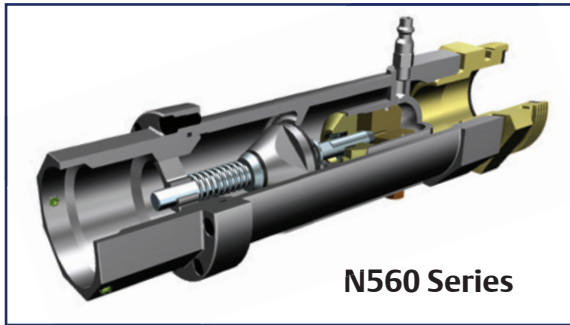


# Fisher® Emergency Shutoff Valves for Railcars

Protects Loading and Unloading Systems for Propane, Butane and other Pressurized Fluids

Flows greater than railcar excess flow valve capacity  
Available with and without excess flow  
Decades of safe and reliable service in the railcar industry  
NFPA 58 Compliant  
Fast Factory Certified Service



UL® is a mark owned by Underwriters Laboratories.



[www.fisherregulators.com](http://www.fisherregulators.com)  
1-800-558-5853



EMERSON. CONSIDER IT SOLVED.™