

PRODUCT SERVICE BULLETIN

**CS800 Series Regulators with Token Relief and Original Manufacture Setpoint up to 16 inches w.c.
Date of Manufacture: September 1st, 2011 to March 7th, 2014**

April 10, 2014

To: CUSTOMERS WHO PURCHASED FISHER® CS800 SERIES REGULATORS WITH TOKEN RELIEF AND ORIGINAL MANUFACTURE SETPOINT UP TO 16 INCHES W.C.

Dear Customer:

Our records indicate that you have purchased a Fisher CS800 Series Regulator with a Token Relief and Setpoint up to 16 inches w.c. Units with Token Relief can be identified by the letter "T" in their Type No. **Example:** Type No. CS803IT has a Token Relief, CS800IR does not. *(Information indicating the Type No. is located on the unit nameplate shown in Figure 2.)*

Please carefully read this Product Service Bulletin and perform the Recommended Actions.

Background

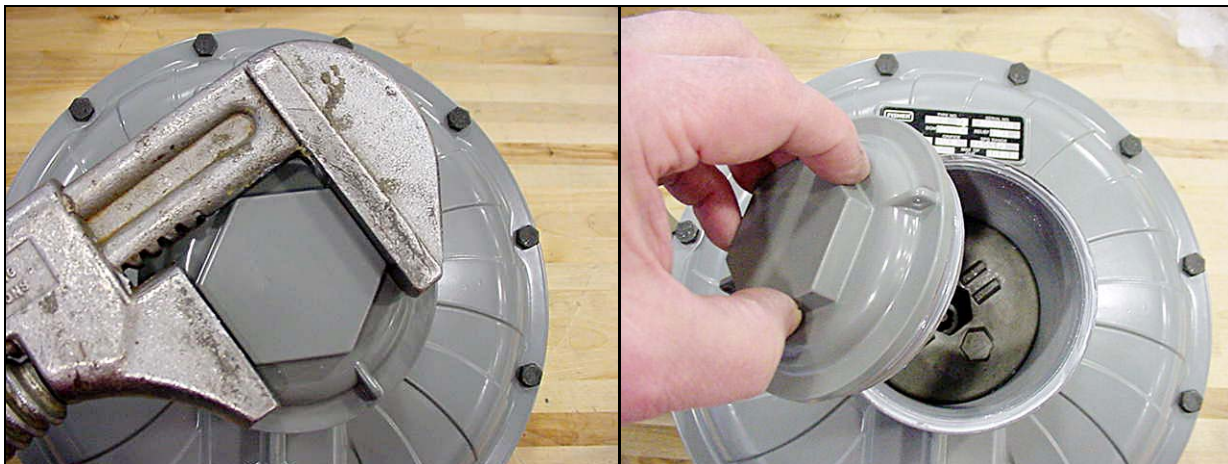
Regulator Technologies Inc. recently discovered that the start-to-discharge point of the Token Relief (see Figure 1) used on CS800 Series Regulators is set above the published Start-to-Discharge range. In some cases the Token Relief may never discharge. Regulator Technologies Inc. identified this condition on CS800 Series Regulators with Token Reliefs and Original Manufacture Setpoint up to 16 inches w.c. manufactured between September 1st, 2011 and March 7th, 2014.

This issue does not affect regulating performance of the CS800 Series Regulator. However, in order to ensure the Token Relief will discharge at the correct pressure, Regulator Technologies Inc. recommends that you follow the actions below as soon as possible.

Recommended Actions:

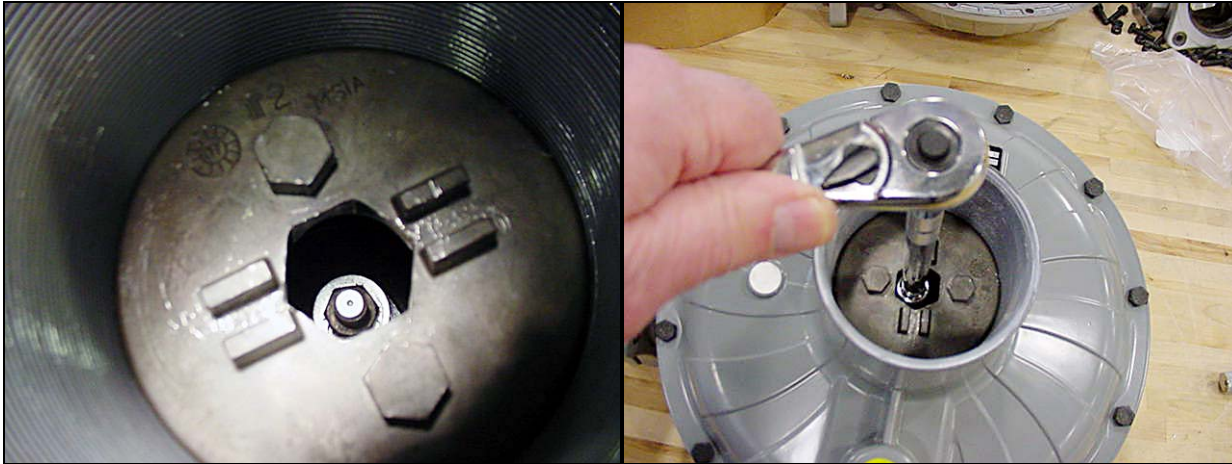
1. Identify all CS800 Series Regulators **with Token Relief** and **Setpoint up to 16 inches w.c.** that you may have in service or inventory manufactured between September 1st, 2011 and March 7th, 2014. *(Information indicating the date of manufacture is located on the unit nameplate shown in Figure 2.)*
2. Adjust Token Relief Start-to-Discharge.
Tools Required: Ratchet, Extension, ½" or 13mm deep well socket at least 2.25" in length.

Step 1: Open Closing Cap



CS800 SERIES WITH TOKEN RELIEF PRODUCT SERVICE BULLETIN

Step 2: Using the ratchet, extension and deep well socket. Place the socket through the adjusting screw and over the token relief adjustment nut (*Key 46*)



⚠ WARNING

Downstream overpressure protection must be installed and operating in order to perform adjustment of the token relief in a pressurized system. If proper overpressure protection is not installed, isolate the regulator from system pressure and relieve all internal pressure before adjustment.

Do not press down on the ratchet. This will apply additional force to the diaphragm and increase downstream pressure; potentially causing an overpressure protection device to activate. A pressure gauge should be used to monitor downstream pressure during adjustment.

Do not overtighten the nut; stop as soon as you feel resistance from the nut.

Step 3: Adjust the nut by rotating the ratchet in a **clockwise** direction until the nut stops moving.

Step 4: Reverse the ratchet and rotate in a **counterclockwise** direction for exactly 20 rotations. This will set the Token Relief at the appropriate Start-to-Discharge pressure range.

Step 5: Reinstall Closing Cap and tighten with 6-9 foot pounds torque.

Permanently mark the regulator using your own preferred method to identify completion of the Token Relief adjustment.

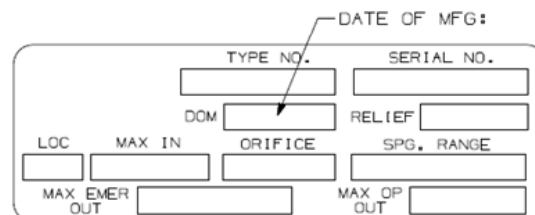
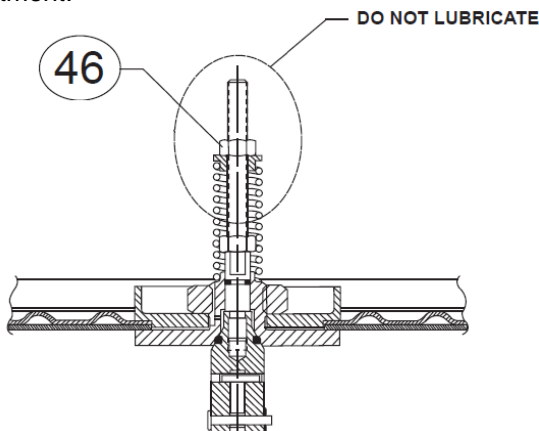


Figure 1: CS800 Series Token Relief Assembly

Figure 2: CS800 Series Nameplate