

Fisher™ 262K Filter

Introduction

Scope of Manual

This manual provides instructions for installation, maintenance and parts information for Fisher 262K filters.

Do not install, operate, or maintain a Fisher 262K filter without being fully trained and qualified in valve, actuator, and accessory installation, operation, and maintenance. To avoid personal injury or property damage, it is important to carefully read, understand, and follow all the contents of this manual, including all safety cautions and warnings. If you have any questions about these instructions, contact your [Emerson sales office](#) or Local Business Partner before proceeding.

Product Description

The 262K filter is designed to remove dirt, scale, and other solid substances from the air supply to actuators and instruments.

The 262K filter is available with a cast iron (Style B) or stainless steel body (Style SSB) with NPT screwed connections. See table 1 for temperature capabilities.

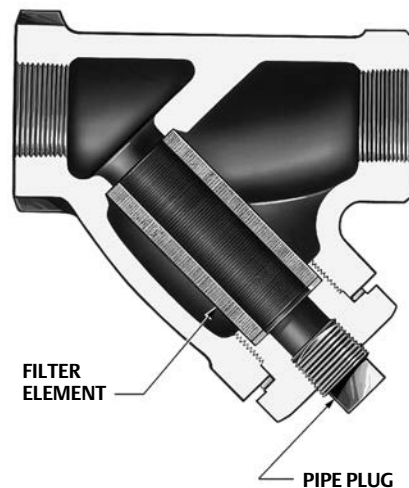
The filter has a resin-impregnated cellulose filter element capable of capturing particles as small as 40 microns.

Figure 1. Typical Fisher 262K Filter



W7910

Figure 2. Construction Details



W0225-1

Table 1. Specifications

Body Size NPS 3/4 End Connection Styles 3/4 NPT screwed Flow Coefficients C_v : 3.96	Maximum Inlet and Outlet Pressure Capabilities^(1, 2) Cast Iron: 28 bar at 65°C (400 psig at 150°F) Stainless Steel: 41 bar at 65°C (600 psig at 150°F) Temperature Capabilities⁽¹⁾ Cast Iron: -28 to 208°C (-20 to 406°F) Stainless Steel: -54 to 208°C (-65 to 406°F) Clean Out Connection Screwed
--	---

1. The pressure/temperature limits in this instruction manual and any applicable standard or code should not be exceeded.
2. A pressure exceeding this value can cause failure of, or leakage from, pressure-containing components.

Specifications

Specifications for the 262K filter are in table 1.

⚠ WARNING

Installation, operation, and maintenance procedures performed by unqualified personnel may result in unsafe operation. This condition may result in personal injury or equipment damage. Use qualified personnel when installing, operating, and maintaining this filter.

If a leak develops in the system, the escaping gas may accumulate and become a fire or explosion hazard. Immediately call qualified service personnel in case of trouble.

Installation

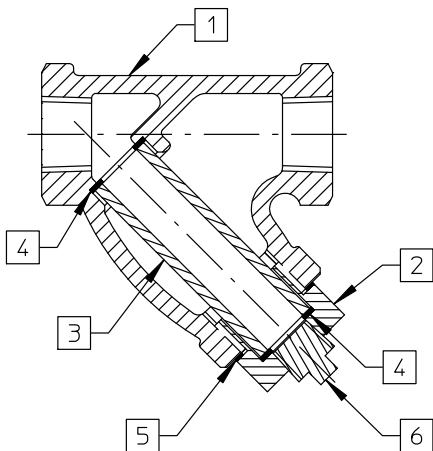
⚠ WARNING

Personal injury, equipment damage, or leakage due to escaping gas or bursting of pressure-containing parts may result if the filter is installed where its capabilities can be exceeded or where conditions exceed any ratings of the adjacent piping or piping connections. To avoid this, install a filter where:

- Service conditions are within unit capabilities.
- Service conditions are within applicable codes, regulations, or standards.
- Additionally, physical damage to the filter could result in breakage, causing personal injury and property damage due to escaping gas. To avoid such injury or damage, install the unit in a safe location.
- Check with your process or safety engineer for any additional measures that must be taken to protect against process media.
- If installing into an existing application, also refer to the WARNING at the beginning of the Maintenance section in this instruction manual.

Using good piping practices, install the filter in the line with the flow in the direction of the arrow cast on the body. As shown in figure 2, when the 262K filter is mounted in a horizontal line, the filter element must be pointed down. When mounted in a vertical line, the filter element must also point down, with the flow passing from top to bottom.

Figure 3. Fisher 262K Filter



19B0172-A

Maintenance

Filter parts are subject to normal wear and must be inspected periodically and replaced as necessary. The frequency of inspection and replacement depends upon the severity of service conditions and upon applicable codes and government regulations.

⚠ WARNING

Avoid personal injury or damage to property from sudden release of pressure or uncontrolled gas or other process fluid. Before starting disassembly, carefully release all pressures. Use a gauge to monitor pressure while releasing it.

Check with your process or safety engineer for any additional measures that must be taken to protect against process media.

Parts Ordering

When corresponding with your [Emerson sales office](#) or Local Business Partner about this filter, always reference the filter style (Cast iron, Style B; Stainless steel, Style SSB).

When ordering the repair kit, specify the complete 11-character part number from the following parts list.

⚠ WARNING

Use only genuine Fisher replacement parts. Components that are not supplied by Emerson Automation Solutions should not, under any circumstances, be used in any Fisher valve, because they may void your warranty, might adversely affect the performance of the valve, and could cause personal injury and property damage.

Parts List

Note

Contact your [Emerson sales office](#) or Local Business Partner for Part Ordering information.

262K Filter (figure 3)

Key	Description	Part Number
1	Body Cast Iron Stainless steel (CF8M)	
2	Drain Plug Bronze (B62) 316 SST	
3	Filter Element, resin-impregnated cellulose	
4	Cartridge Gasket, chloroprene	
5	Cap Gasket, chloroprene	
6	Pipe Plug Brass 316 SST	
*	Repair Kit	19B0173X012

*Recommended spare parts

Neither Emerson, Emerson Automation Solutions, nor any of their affiliated entities assumes responsibility for the selection, use or maintenance of any product. Responsibility for proper selection, use, and maintenance of any product remains solely with the purchaser and end user.

Fisher is a mark owned by one of the companies in the Emerson Automation Solutions business unit of Emerson Electric Co. Emerson Automation Solutions, Emerson, and the Emerson logo are trademarks and service marks of Emerson Electric Co. All other marks are the property of their respective owners.

The contents of this publication are presented for informational purposes only, and while every effort has been made to ensure their accuracy, they are not to be construed as warranties or guarantees, express or implied, regarding the products or services described herein or their use or applicability. All sales are governed by our terms and conditions, which are available upon request. We reserve the right to modify or improve the designs or specifications of such products at any time without notice.

Emerson Automation Solutions
Marshalltown, Iowa 50158 USA
Sorocaba, 18087 Brazil
Cernay, 68700 France
Dubai, United Arab Emirates
Singapore 128461 Singapore

www.Fisher.com

