

Fisher® 262K Filter

The Fisher 262K Y-type filter is designed to remove dirt, scale, and other solid substances from the air supply to actuators and instruments.

Features

- **Excellent Filtration**—Resin-impregnated cellulose filter captures particles as small as 40 microns.
- **Application Flexibility**—Versatility, reliability, and ease of maintenance permits meeting needs of virtually all users of pipelines carrying liquids, gases, or vapors.

Construction

Screwed body available in cast iron (Style B) or stainless steel (Style SSB), with resin-impregnated cellulose filter, and screwed clean-out connection.

Installation

Orientation must be so that flow is in the direction of the arrow cast on the body. As shown in figure 1, when the 262K filter is mounted in a horizontal line, the filter element must be pointed down. When mounted in a vertical line, the filter element must also point down, with the flow passing from top to bottom.

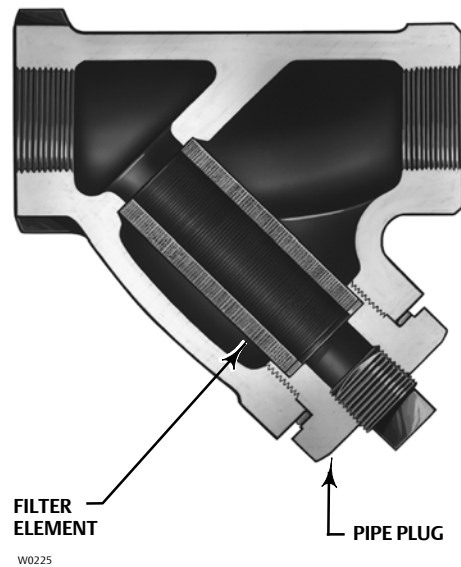
Dimensions are shown in figure 2.



W7910

Typical Fisher 262K Filter

Figure 1. Construction Details



Specifications

Body Size

NPS 3/4

End Connection Styles

3/4 NPT screwed

Maximum Inlet and Outlet Pressure Capabilities^(1, 2)

Cast Iron: 28 bar at 65°C (400 psig at 150°F)
Stainless Steel: 41 bar at 65°C (600 psig at 150°F)

Temperature Capabilities⁽¹⁾

Cast Iron: -28 to 208°C (-20 to 406°F)
Stainless Steel: -54 to 208°C (-65 to 406°F)

Flow Coefficients

C_v : 3.96

Clean Out Connection

Screwed

Construction Materials

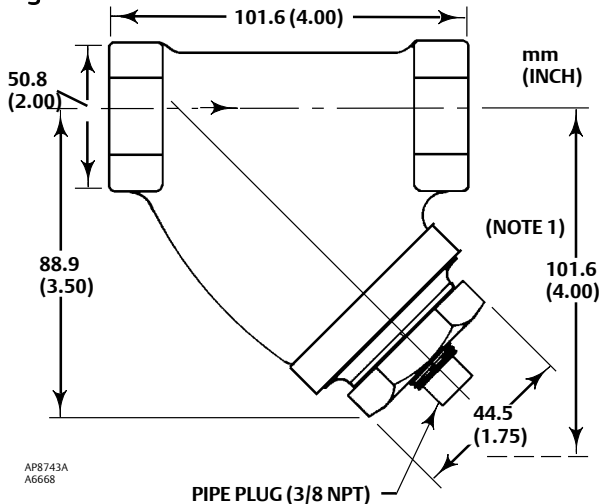
Body: ■ Cast Iron or ■ Stainless Steel (CF8M)
Drain Plug: ■ Bronze (B62) or ■ Stainless Steel (316 SST)
Pipe Plug: ■ Brass or ■ Stainless Steel (316 SST)
Gaskets: Chloroprene
Filter Element: Resin-impregnated cellulose

Approximate Shipping Weight

Cast Iron: 1.36 kg (3 lbs)
Stainless Steel: 5.4 kg (12 lbs)

1. The pressure/temperature limits in this bulletin and any applicable standard or code limitation should not be exceeded.
2. A pressure exceeding this value can cause failure of, or leakage from, pressure-containing components.

Figure 2. Fisher 262K Dimensions



1. MINIMUM CLEARANCE REQUIRED TO REMOVE FILTER ELEMENT.

Neither Emerson, Emerson Process Management, nor any of their affiliated entities assumes responsibility for the selection, use or maintenance of any product. Responsibility for proper selection, use, and maintenance of any product remains solely with the purchaser and end user.

Fisher is a mark owned by one of the companies in the Emerson Process Management business unit of Emerson Electric Co. Emerson Process Management, Emerson, and the Emerson logo are trademarks and service marks of Emerson Electric Co. All other marks are the property of their respective owners.

The contents of this publication are presented for informational purposes only, and while every effort has been made to ensure their accuracy, they are not to be construed as warranties or guarantees, express or implied, regarding the products or services described herein or their use or applicability. All sales are governed by our terms and conditions, which are available upon request. We reserve the right to modify or improve the designs or specifications of such products at any time without notice.

Emerson Process Management

Marshalltown, Iowa 50158 USA
Sorocaba, 18087 Brazil
Chatham, Kent ME4 4QZ UK
Dubai, United Arab Emirates
Singapore 128461 Singapore

www.Fisher.com

