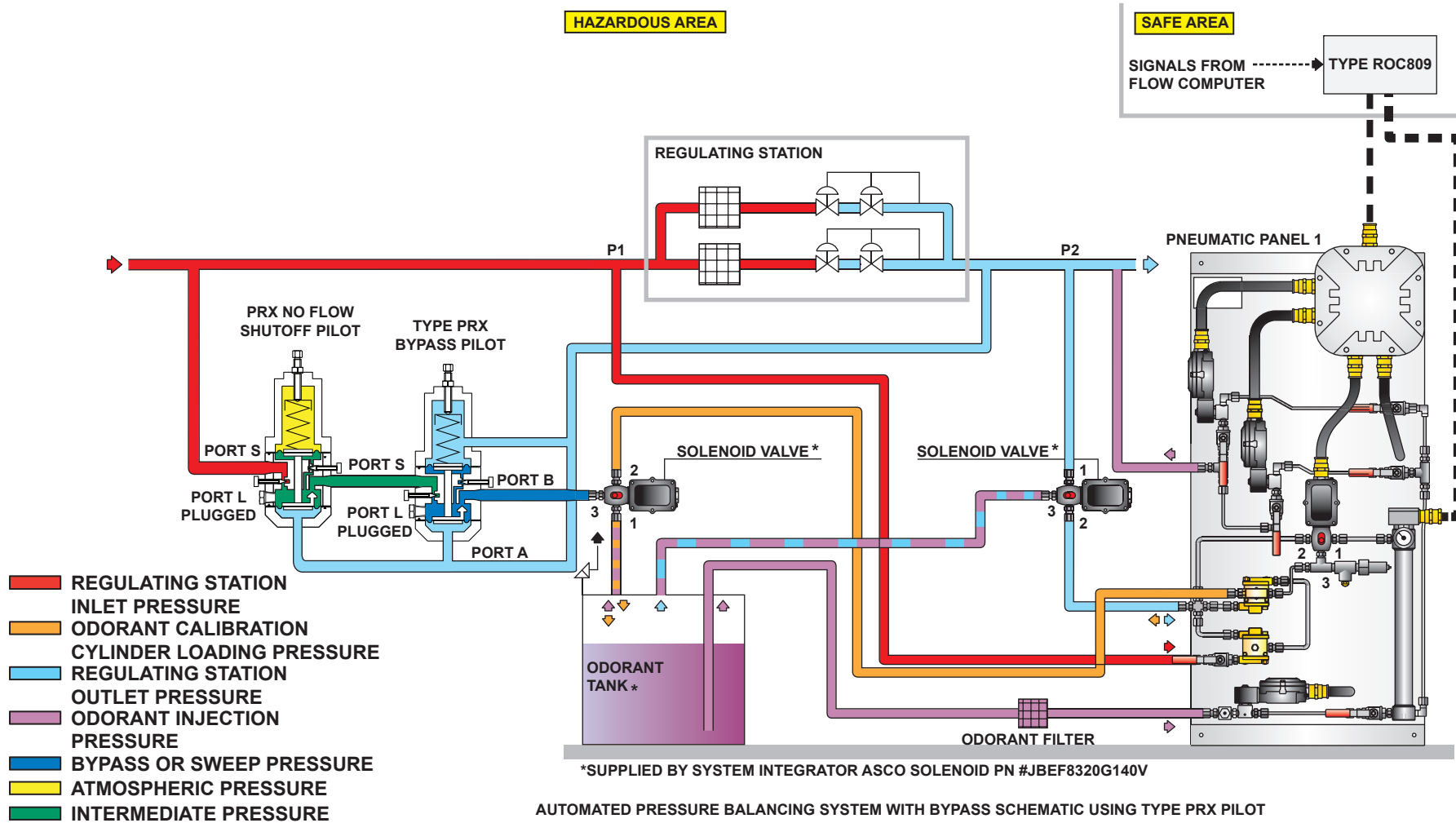


Type Dosaodor Automated Pressure System with Bypass Schematic using Type PRX Pilots



M1227