











# Type OSE Slam-Shut Valve

## MATERIALS

### Valve Assembly

Body	A 352 LCC Steel
Connecting Part	A 350 LF2 Zinc Plated Steel
Plug	Stainless Steel
Seat	Stainless Steel
Bypass	Stainless Steel
Spring	Zinc Plated Steel
O-rings	Nitrile
Stem	Stainless Steel
Packing Gland	Bronze

### Type OS2 Release Relay

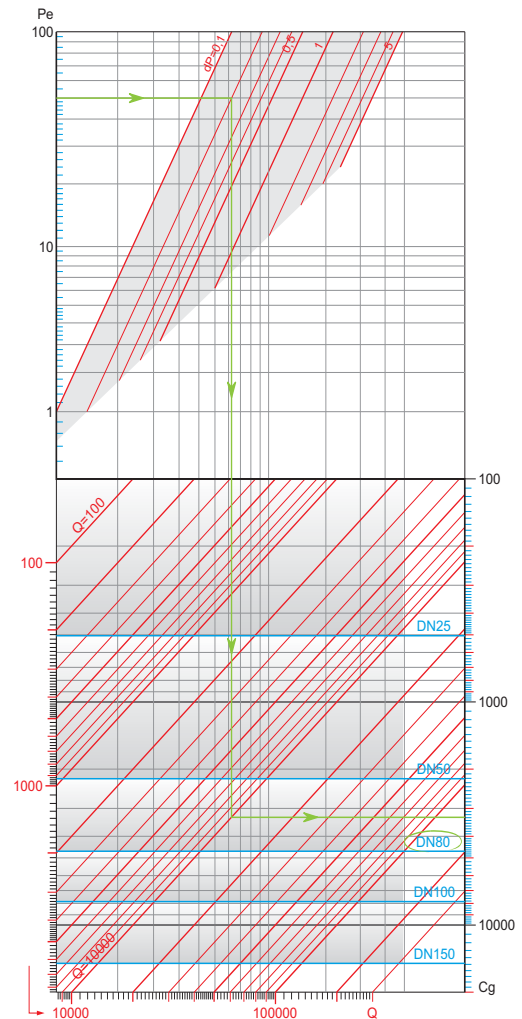
#### Mechanism Box

Box	Chromium Plated Aluminium
Cover	Chromium Plated Aluminium
Mechanism	Stainless Steel / Brass
Flat rings	Propylene
Truarc rings	Nitrile

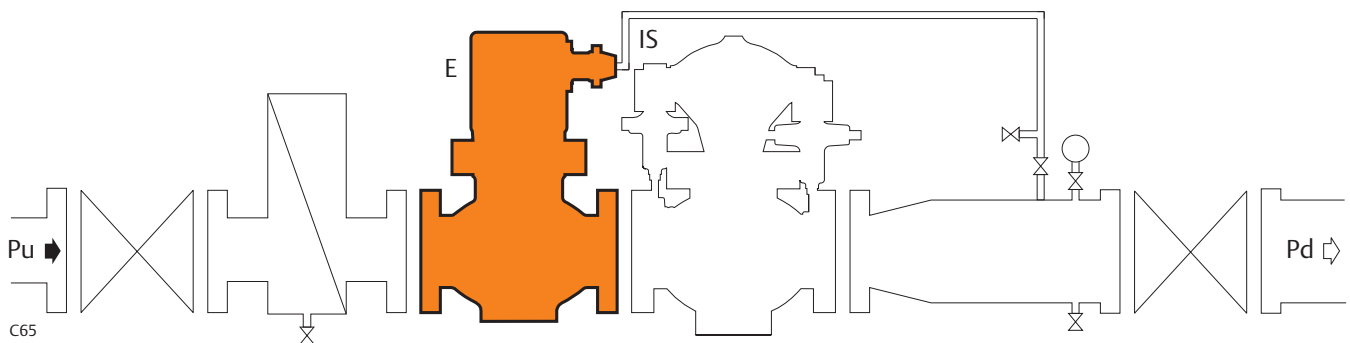
#### Manometric Box

Spring Case	Stainless Steel
Spring Box	Chromium Plated Aluminium
Diaphragm	Nitrile mesh
Piston	Stainless Steel
Bellows	Stainless Steel
Spring	Zinc Plated Steel
Adjustment screw	Zinc Plated Steel

## SIZING



## INSTALLATION



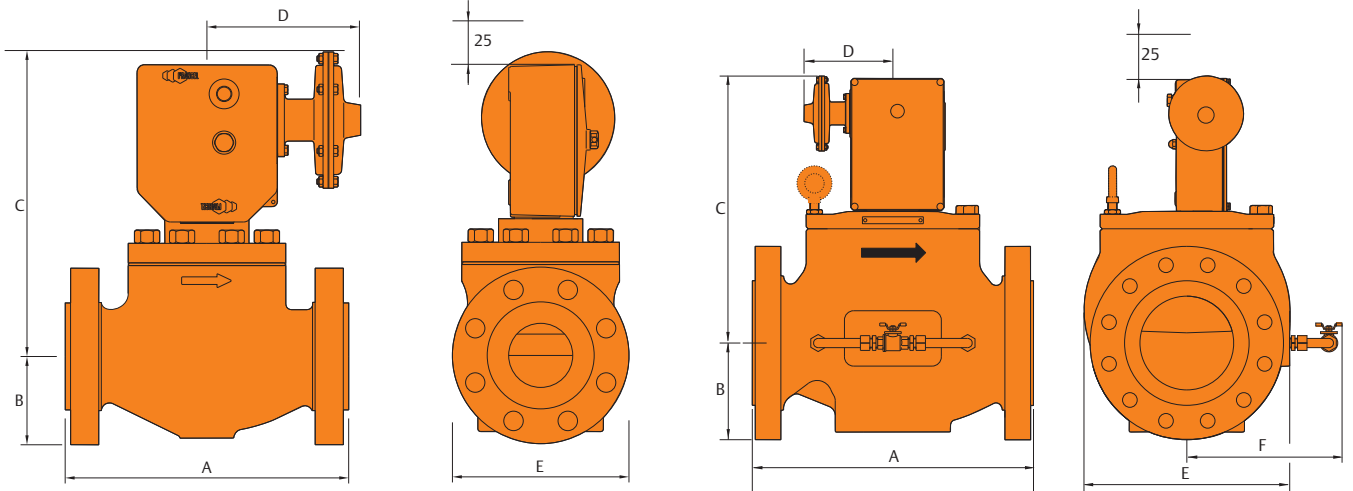
Install the slam-shut valve on horizontal pipeline.

The safety manometric box impulse should be connected before the outlet valve on the on the straight run of pipeline.

If the remote alert option is applicable it must be electrically connected

# Type OSE Slam-Shut Valve

## DIMENSIONS & WEIGHTS



Type OSE DN 25 through DN 150

Type OSE DN 200 and DN 250

C66

DN	ANSI	DIMENSIONS						WEIGHTS (kg)
		A	B	C Max	D	E	F	
25	150	185	54	334	220	116		14.0
	300	197	62			124		16.0
	600	210				17.0		
50	150	254	76	346		152		26.0
	300	267	83			165		29.0
	600	287				32.0		
80	150	298	95	380		190		43.0
	300	318	105			210		48.0
	600	337				55.0		
100	150	353	114	420		229		74.0
	300	368	127		154	82.0		
	600	394	137		273	98.0		
150	150	451	140	424	357	150.0		
	300	473	159			166.0		
	600	508	178			202.0		
200	150	543	171.5	579	446	336	294	
	300	568	190.5				321	
	600	610	209.5				356	
250	150	673	203	667	498	363	469	
	300	708	222				504	
	600	752	254				577	

Europe, Middle East, Africa and Asia Pacific Documents Only

C67

# Type OSE Slam-Shut Valve

---

## Industrial Regulators

### Emerson Process Management Regulator Technologies, Inc.

USA - Headquarters  
McKinney, Texas 75069-1872, USA  
Tel: +1 800 558 5853  
Outside U.S. +1 972 548 3574

Asia-Pacific  
Shanghai 201206, China  
Tel: +86 21 2892 9000

Europe  
Bologna 40013, Italy  
Tel: +39 051 419 0611

Middle East and Africa  
Dubai, United Arab Emirates  
Tel: +971 4811 8100

## Natural Gas Technologies

### Emerson Process Management Regulator Technologies, Inc.

USA - Headquarters  
McKinney, Texas 75069-1872, USA  
Tel: +1 800 558 5853  
Outside U.S. +1 972 548 3574

Asia-Pacific  
Singapore 128461, Singapore  
Tel: +65 6777 8337

Europe  
O.M.T. Tartarini s.r.l. Via P. Fabbri 1,  
I-40013 Castel Maggiore (Bologna), Italy  
Tel: +39 051 419 0611  
Francel SAS, 3 ave Victor Hugo, CS 80125  
Chartres 28008, France  
Tel: +33 2 37 33 47 00

## TESCOM

### Emerson Process Management Tescom Corporation

USA - Headquarters  
Elk River, Minnesota 55330-2445, USA  
Tels: +1 763 241 3238  
+1 800 447 1250

Asia-Pacific  
Shanghai 201206, China  
Tel: +86 21 2892 9499

Europe  
Selmsdorf 23923, Germany  
Tel: +49 38823 31 287

For further information visit [www.Francel.com](http://www.Francel.com)

The Emerson logo is a trademark and service mark of Emerson Electric Co. All other marks are the property of their prospective owners. Francel is a mark owned by Francel SAS, a business of Emerson Process Management.

*The contents of this publication are presented for informational purposes only, and while every effort has been made to ensure their accuracy, they are not to be construed as warranties or guarantees, express or implied, regarding the products or services described herein or their use or applicability. We reserve the right to modify or improve the designs or specifications of such products at any time without notice.*

Emerson Process Management does not assume responsibility for the selection, use or maintenance of any product. Responsibility for proper selection, use and maintenance of any Emerson Process Management product remains solely with the purchaser.