

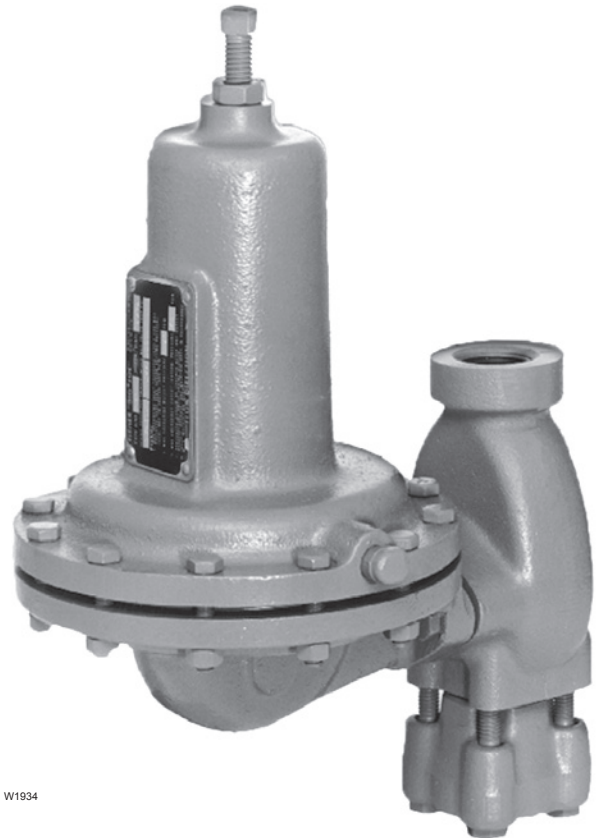
Type 630 Regulator

Introduction

The Type 630 Big Joe™ regulators are direct-operated, spring-loaded, pressure reducing regulators. They are available in 1 and 2-inch / DN 25 and 50 body sizes, and they are designed for maximum inlet pressures to 1500 psig / 103 bar and outlet pressures from 3 to 500 psig / 0.21 to 34.5 bar. The Type 630 can be used with natural gas, air, or a variety of other gases for such applications as first-stage farm-tap regulators or high-pressure industrial regulators. The Type 630 can be converted in the field to a relief valve or is available as the Type 630R relief valve/backpressure regulator; refer to the separate Type 630R Bulletin (71.4:630R) for information.

Features

- **High-Pressure Capabilities**—Inlet pressures up to 1500 psig / 103 bar and control pressures up to 500 psig / 34.5 bar.
- **Rugged Construction**—Compact, sturdy design and solid metal construction provide a strong, reliable, long-lasting regulator.
- **Better Low-Pressure Control**—The Type 630 is available in both high-pressure and low-pressure constructions; the low-pressure units have a larger diaphragm area to provide more accurate control of low-pressure settings.
- **Sour Gas Service Capability**—Optional materials are available for applications handling sour gases. These constructions comply with the recommendations of the NACE International MR0175.



W1934

Figure 1. Type 630 Big Joe High-Pressure Regulator

The manufacturing processes and materials used by Fisher® Controls assure that all products specified for sour gas service comply with the chemical and physical requirements of NACE International MR0175.

Specifications

Body Sizes

1 and 2-inch / DN 25 and 50

End Connection Style

NPT, ASME CL150 RF, CL300 RF, or CL600 RF

Maximum Inlet Pressure and Pressure Drops⁽¹⁾

Up to 1500 psig / 103 bar, See Table 1

Maximum Outlet Pressure⁽¹⁾

Up to 500 psig / 34.5 bar, See Table 2

Outlet Pressure Ranges

3 to 500 psig / 0.21 to 34.5 bar, See Table 2

Pressure Registration

Internal

Flow Capacities

See Tables 3 and 4

Orifice Sizes and Wide-Open Flow Coefficients for Relief Valve Sizing

| ORIFICE SIZE | | C _g | C _v | C ₁ |
|--------------|-----|----------------|----------------|----------------|
| Inch | mm | | | |
| 1/8 | 3.2 | 13.9 | 0.49 | 28.4 |
| 3/16 | 4.8 | 31.3 | 1.11 | 28.2 |
| 1/4 | 6.4 | 55.1 | 2.03 | 27.2 |
| 3/8 | 9.5 | 122.5 | 4.61 | 26.6 |
| 1/2 | 13 | 216.0 | 8.18 | 26.4 |

Temperature Capabilities⁽¹⁾

Nitrile (NBR), Nylon (PA), and Neoprene (CR):

-20 to 180°F / -29 to 82°C

Fluorocarbon (FKM) and Polytetrafluoroethylene (PTFE):

0 to 300°F / -18 to 149°C

Construction Materials

Body: Cast iron, or steel

Spring Case and Diaphragm Adaptor:

Cast iron or steel

Orifice: Brass or stainless steel

Valve Disk: Nitrile (NBR), Nylon (PA), Polytetrafluoroethylene (PTFE), or Fluorocarbon (FKM)

Valve Disk Holder: Brass or stainless steel

Valve Carrier: Brass or stainless steel

Diaphragm: Neoprene (CR) or Fluorocarbon (FKM)

Inlet Body Gaskets: Copper with brass trim or stainless steel with stainless steel trim

All Other Gaskets: Composition

Lever: Zinc-plated steel or Stainless steel

Diaphragm Connector: Aluminum with brass trim or stainless steel with stainless steel trim

Pitot Tube: Stainless steel

Regulator Spring: Plated steel

Adjusting Screw: Steel

Diaphragm Plate: Zinc-plated steel

Upper Spring Seat: Zinc

Lower Spring Seat: Zinc-plated steel (low pressure) or Zinc (high pressure)

Vent: Type Y602-9

Spring Case Vent

1/4 NPT

Options

PTFE diaphragm protector, wire-seal adjusting screw, and NACE

Approximate Weight

1-inch End Connection: 25 pounds / 11.3 kg

2-inch End Connection: 30 pounds / 13.6 kg

1. The pressure/temperature limits in this Bulletin and any applicable standard or code limitation should not be exceeded.

Installation

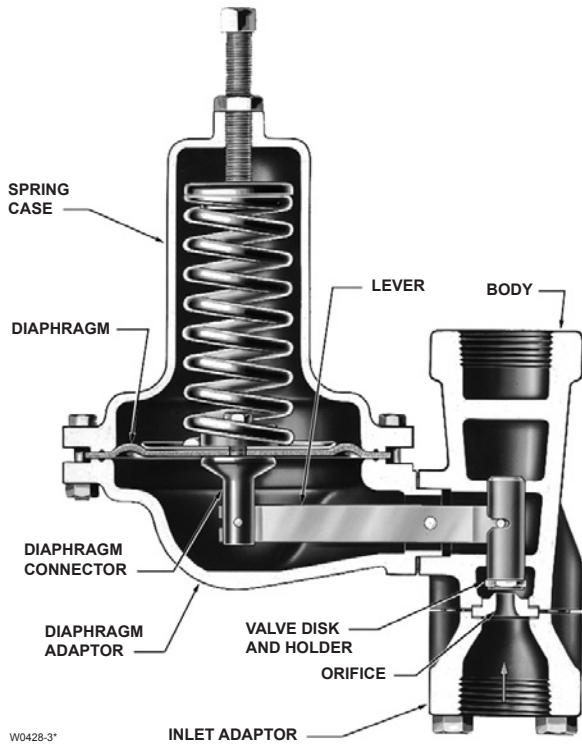
These regulators may be installed in any position. Some installations may require a remote vent line. Protect all vent openings against the entrance of rain, snow, debris, or any other foreign material that may plug the opening.

Direction of flow through the regulator body must be in the direction indicated by the flow direction arrow found on the regulator body.

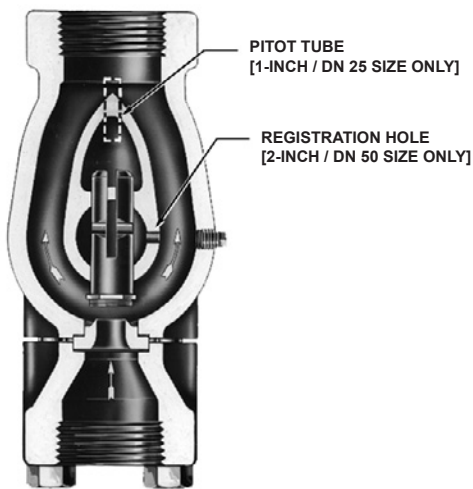
Overpressure Protection

As is the case with most regulators, these regulators have an outlet pressure rating that is lower than the inlet pressure rating. Overpressure protection is needed if the actual inlet pressure can exceed the outlet pressure rating.

Regulator operation below the limits specified in Tables 1 and 2 do not preclude the possibility of damage from external sources or from debris in the pipeline. The regulator should be inspected for damage after any overpressure condition.



FULL SECTION



BODY ONLY
(ROTATED 90°)

Figure 2. Type 630 Sectional Views

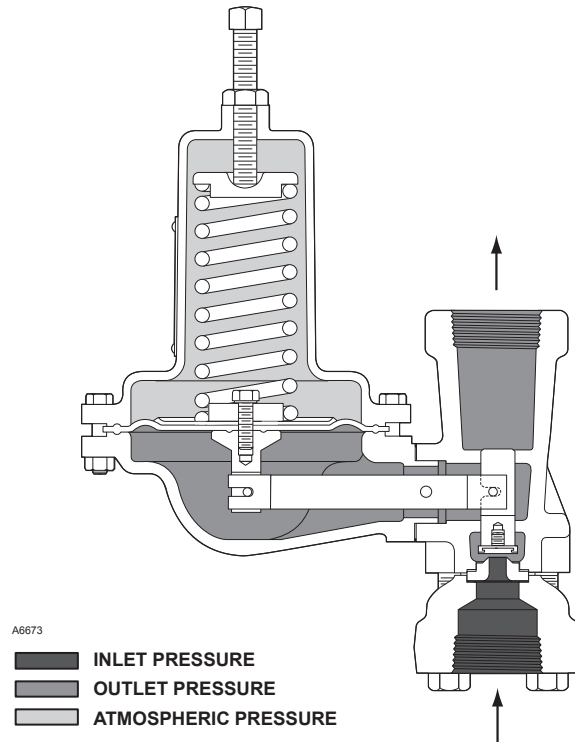


Figure 3. Type 630 Operational Schematic

Principle of Operations

Refer to Figure 2. In the regulator construction, outlet pressure registers beneath the diaphragm. As long as the outlet pressure is less than the set pressure, spring force on the diaphragm causes the lever to hold the valve open. When the outlet pressure exceeds the set pressure, the diaphragm moves to compress the spring and the lever closes the valve until the outlet pressure returns to set pressure.

Capacity Data

Flow capacities are given in Tables 3 and 4 in standard cubic feet per hour (SCFH) and normal cubic meters per hour (Nm³/h) of 0.6 specific gravity natural gas. To determine the equivalent flow rate for other gases, multiply the table value by the appropriate factor: air—0.775; butane—0.547; nitrogen—0.789; propane—0.627.

Bulletin 71.1:630

Table 1. Maximum Inlet Pressure and Pressure Drops

| ORIFICE SIZES | | MAXIMUM ALLOWABLE INLET PRESSURE ⁽¹⁾ | | MAXIMUM ALLOWABLE PRESSURE DROPS | | | | | | | |
|---------------|-------------|-------------------------------------------------|------|----------------------------------------------------|------|-------------------------|------|--------------------|------|-----|------|
| | | | | Nylon (PA) and Polytetrafluoroethylene (PTFE) Disk | | Fluorocarbon (FKM) Disk | | Nitrile (NBR) Disk | | | |
| inches | mm | psig | bar | psig | bar | psig | bar | psig | bar | | |
| 1/8 and 3/16 | 3.2 and 4.8 | 1500 | 103 | 1500 | 103 | 200 | 13.8 | 600 | 41.4 | | |
| 1/4 | 6.4 | | | 1000 | 69 | | | | | | |
| 3/8 | 9.5 | 1000 | 69 | 500 | 34.5 | | | | | 500 | 34.5 |
| 1/2 | 13 | 750 | 51.7 | 250 | 17.2 | | | | | 250 | 17.2 |

1. Inlet pressure must not exceed the sum of the actual outlet pressure setting and the maximum allowable pressure drop. For example, with an outlet pressure setting of 200 psig / 13.8 bar and a 3/8-inch / 9.5 mm orifice with a maximum allowable pressure drop of 500 psid / 34.5 bar d, the maximum inlet pressure is 700 psig / 48.3 bar.

2. Nitrile (NBR) valve disks are normally furnished for pressure drops to 200 psi / 13.8 bar, differential. For better erosion resistance, Nylon (PA) valve disks are normally furnished for higher pressure drops. Some erosion of valve disks occurs at all pressure drops due to solid particles in the flow stream. The rate of erosion is higher with large amounts of impurities in the flow stream and with high pressure drops. Valve disks and other regulator parts must be inspected periodically for erosion and damage and must be replaced as necessary.

Table 2. Outlet Pressure Ranges

| REGULATOR CONSTRUCTION | OUTLET PRESSURE RANGE | | SPRING PART NUMBER | SPRING COLOR CODE | SPRING WIRE DIAMETER | | SPRING FREE LENGTH | | MAXIMUM OUTLET PRESSURE OVER SETPOINT ⁽¹⁾ | | MAXIMUM EMERGENCY OUTLET (CASING) PRESSURE ⁽⁴⁾ | |
|------------------------|-----------------------|--------------|--------------------|-------------------|----------------------|-------------|----------------------------------------------|---------------------|------------------------------------------------------|------|-----------------------------------------------------------|------|
| | psig | bar | | | inches | mm | inches | mm | psig | bar | psig | bar |
| | Low pressure | 3 to 10 | | | 0.21 to 0.69 | 0W019227022 | Red stripe | 0.23 | 5.84 | 6.0 | 152 | 20 |
| 8 to 20 | | 0.55 to 1.4 | 0W019127022 | Olive green | 0.28 | 7.11 | 20 ⁽²⁾ | 1.4 ⁽²⁾ | | | | |
| 17 to 30 | | 1.2 to 2.1 | 0W019027022 | Unpainted | 0.34 | 8.64 | Limited by Maximum Emergency Outlet Pressure | | | | | |
| 27 to 40 | | 1.9 to 2.8 | 0Y066427022 | Green stripe | 0.36 | 9.14 | | | | | | |
| High pressure | 27 to 50 | 1.9 to 3.4 | 0W019227022 | Red stripe | 0.23 | 5.84 | 6.1 | 155 | 200 | 13.8 | 550 | 37.9 |
| | 46 to 95 | 3.2 to 6.6 | 0W019127022 | Olive green | 0.28 | 7.11 | | | | | | |
| | 90 to 150 | 6.2 to 10.3 | 0W019027022 | Unpainted | 0.34 | 8.64 | | | | | | |
| | 150 to 200 | 10.3 to 13.8 | 0Y066427022 | Green stripe | 0.36 | 9.14 | | | | | | |
| | 200 to 275 | 13.8 to 19.0 | 1J146927142 | Blue stripe | 0.38 | 9.65 | 200 ⁽³⁾ | 13.8 ⁽³⁾ | | | | |
| | 275 to 500 | 19.0 to 34.5 | 1K370927082 | Yellow stripe | 0.44 | 11.2 | 6.2 | 157 | | | | |

1. Damage to internal parts of the regulator may occur if outlet pressure exceeds the actual pressure setting by amounts greater than those shown in this column.

2. For outlet pressure settings to 25 psig / 1.7 bar only. For pressure settings over 25 psig / 1.7 bar, outlet pressure is limited by maximum emergency outlet pressure of 45 psig / 3.1 bar.

3. For outlet pressure settings to 350 psig / 24.1 bar only. For pressure settings over 350 psig / 24.1 bar, outlet pressure is limited by maximum emergency outlet pressure of 550 psig / 37.9 bar.

4. Leakage or bursting of pressure-containing parts may occur if outlet pressure exceeds these values.

To determine the wide-open capacity for relief sizing with the flow coefficients (C_g), use the appropriate procedure below.

1. If flow is critical (absolute outlet pressure is equal to or less than one-half the absolute inlet pressure), use the equation:

$$\text{Flow} = (\text{Absolute Inlet Pressure}) (C_g) (1.29)$$

The flow determined will be in SCFH of 0.6 specific gravity natural gas. To convert SCFH to Nm³/h multiply the SCFH result by 0.0268.

2. If flow is less than critical (absolute outlet pressure is greater than one-half the absolute inlet pressure), use Fisher[®]'s computerized sizing program or contact your local Sales Office.

Table 3. 1-Inch / DN 25 Body Capacities (Based on 20% Droop)

| | OUTLET PRESSURE RANGE, SPRING PART NUMBER, AND COLOR | INLET PRESSURE | | OUTLET PRESSURE | | 1-INCH / DN 25 BODY CAPACITIES IN SCFH / Nm ³ /h OF 0.6 SPECIFIC GRAVITY OF NATURAL GAS | | | | | | | | | |
|--------------|--------------------------------------------------------------|----------------|--------------------|-----------------|--------------------|----------------------------------------------------------------------------------------------------|--------------------|------------|--------------------|-----------|--------------------|-----------|--------------------|----------|-------|
| | | psig | bar | psig | bar | Orifice Size, Inches / mm | | | | | | | | | |
| | | | | | | 1/8 / 3.2 | | 3/16 / 4.8 | | 1/4 / 6.4 | | 3/8 / 9.5 | | 1/2 / 13 | |
| | | SCFH | Nm ³ /h | SCFH | Nm ³ /h | SCFH | Nm ³ /h | SCFH | Nm ³ /h | SCFH | Nm ³ /h | SCFH | Nm ³ /h | | |
| LOW PRESSURE | 3 to 10 psig / 0.21 to 0.69 bar 0W019227022 Red Stripe | 10 | 0.69 | 5 | 0.34 | 200 | 5 | 510 | 14 | 990 | 27 | 1700 | 46 | 2200 | 59 |
| | | 20 | 1.4 | | | 400 | 11 | 770 | 21 | 1200 | 32 | 2000 | 54 | 2700 | 72 |
| | | 30 | 2.1 | | | 600 | 16 | 1100 | 29 | 1500 | 40 | 2200 | 59 | 3300 | 88 |
| | | 50 | 3.4 | | | 950 | 25 | 1500 | 40 | 2100 | 56 | 2800 | 75 | 4200 | 113 |
| | | 60 | 4.1 | | | 1100 | 29 | 1750 | 47 | 2400 | 64 | 3000 | 80 | 4100 | 110 |
| | | 100 | 6.9 | | | 1700 | 46 | 2400 | 64 | 2900 | 78 | 4000 | 107 | 4900 | 131 |
| | | 200 | 13.8 | | | 3000 | 80 | 3400 | 91 | 4200 | 113 | 5100 | 137 | 6100 | 163 |
| | | 400 | 27.6 | | | 3700 | 99 | 3900 | 105 | 4500 | 121 | 6400 | 172 | ----- | ----- |
| | | 500 | 34.5 | | | 4100 | 110 | 4300 | 115 | 4700 | 126 | 7400 | 198 | ----- | ----- |
| | | 600 | 41.4 | | | 4300 | 115 | 4600 | 123 | 5000 | 134 | ----- | ----- | ----- | ----- |
| | | 1000 | 69.0 | | | 4600 | 123 | 4900 | 131 | 5600 | 150 | ----- | ----- | ----- | ----- |
| | | 1500 | 103 | | | 5000 | 134 | 5400 | 145 | ----- | ----- | ----- | ----- | ----- | ----- |
| | 8 to 20 psig / 0.55 to 1.4 bar 0W019127022 Olive Drab | 20 | 1.4 | 10 | 0.69 | 500 | 13 | 1200 | 32 | 1800 | 48 | 4200 | 113 | 4900 | 131 |
| | | 30 | 2.1 | | | 700 | 19 | 1400 | 38 | 2800 | 75 | 4100 | 110 | 5300 | 142 |
| | | 50 | 3.4 | | | 1000 | 27 | 2300 | 62 | 4100 | 110 | 5100 | 137 | 6200 | 166 |
| | | 60 | 4.1 | | | 1150 | 31 | 2700 | 72 | 4200 | 113 | 5500 | 147 | 6500 | 174 |
| | | 100 | 6.9 | | | 1600 | 43 | 3800 | 102 | 5000 | 134 | 6400 | 172 | 7300 | 196 |
| | | 200 | 13.8 | | | 3300 | 88 | 5800 | 155 | 6900 | 185 | 7700 | 206 | 8200 | 220 |
| | | 400 | 27.6 | | | 5400 | 145 | 6900 | 185 | 7600 | 204 | 9000 | 241 | ----- | ----- |
| | | 500 | 34.5 | | | 6000 | 161 | 7100 | 190 | 7900 | 212 | 9700 | 260 | ----- | ----- |
| | | 600 | 41.4 | | | 6500 | 174 | 7300 | 196 | 8200 | 220 | ----- | ----- | ----- | ----- |
| | | 1000 | 69.0 | | | 7200 | 193 | 7700 | 206 | 8400 | 225 | ----- | ----- | ----- | ----- |
| | | 1500 | 103 | | | 7400 | 198 | 8400 | 225 | ----- | ----- | ----- | ----- | ----- | ----- |
| | | | 20 | | | 1.4 | 15 | 1.0 | 470 | 13 | 1000 | 27 | 1700 | 46 | 3300 |
| 30 | 2.1 | | 600 | 16 | 1500 | 40 | | | 2500 | 67 | 4600 | 123 | 5200 | 139 | |
| 50 | 3.4 | | 1000 | 27 | 2300 | 62 | | | 3800 | 102 | 5500 | 147 | 5700 | 153 | |
| 60 | 4.1 | | 1150 | 31 | 2700 | 72 | | | 4300 | 115 | 6100 | 163 | 6800 | 182 | |
| 100 | 6.9 | | 1900 | 51 | 4300 | 115 | | | 6200 | 166 | 7600 | 204 | 9600 | 257 | |
| 200 | 13.8 | | 3600 | 96 | 7500 | 201 | | | 8500 | 228 | 9600 | 257 | 10,000 | 268 | |
| 400 | 27.6 | | 7100 | 190 | 8700 | 233 | | | 10,000 | 268 | 11,000 | 295 | ----- | ----- | |
| 500 | 34.5 | | 8300 | 222 | 8800 | 236 | | | 10,500 | 281 | 12,000 | 322 | ----- | ----- | |
| 600 | 41.4 | | 8600 | 230 | 9600 | 257 | | | 10,800 | 289 | ----- | ----- | ----- | ----- | |
| 1000 | 69.0 | | 9600 | 257 | 10,000 | 268 | | | 11,000 | 295 | ----- | ----- | ----- | ----- | |
| 1500 | 103 | | 10,000 | 268 | 11,000 | 295 | | | ----- | ----- | ----- | ----- | ----- | ----- | |

- continued -

Bulletin 71.1:630

Table 3. 1-Inch / DN 25 Body Capacities (Based on 20% Droop) (continued)

| | OUTLET PRESSURE RANGE, SPRING PART NUMBER, AND COLOR | INLET PRESSURE | | OUTLET PRESSURE | | 1-INCH / DN 25 BODY CAPACITIES IN SCFH / Nm ³ /h OF 0.6 SPECIFIC GRAVITY OF NATURAL GAS | | | | | | | | | |
|--------------|-----------------------------------------------------------------------|----------------|--------|-----------------|--------|----------------------------------------------------------------------------------------------------|--------------------|------------|--------------------|-----------|--------------------|-----------|--------------------|----------|--------------------|
| | | psig | bar | psig | bar | Orifice Size, Inches / mm | | | | | | | | | |
| | | | | | | 1/8 / 3.2 | | 3/16 / 4.8 | | 1/4 / 6.4 | | 3/8 / 9.5 | | 1/2 / 13 | |
| | | | | | | SCFH | Nm ³ /h | SCFH | Nm ³ /h | SCFH | Nm ³ /h | SCFH | Nm ³ /h | SCFH | Nm ³ /h |
| LOW PRESSURE | 8 to 20 psig / 0.55 to 1.4 bar 0W019127022 Olive Drab | 30 | 2.1 | 20 | 1.4 | 600 | 16 | 1500 | 40 | 2500 | 67 | 4600 | 123 | 6800 | 182 |
| | | 40 | 2.8 | | | 800 | 21 | 2000 | 54 | 3400 | 91 | 5700 | 153 | 8100 | 217 |
| | | 50 | 3.4 | | | 1000 | 27 | 2300 | 62 | 4200 | 113 | 6800 | 182 | 9000 | 241 |
| | | 60 | 4.1 | | | 1150 | 31 | 2700 | 72 | 4900 | 131 | 7500 | 201 | 9800 | 263 |
| | | 100 | 6.9 | | | 1800 | 48 | 4100 | 110 | 7400 | 198 | 9500 | 255 | 11,000 | 295 |
| | | 200 | 13.8 | | | 3600 | 96 | 8000 | 214 | 10,000 | 268 | 12,000 | 322 | 13,000 | 348 |
| | | 400 | 27.6 | | | 7200 | 193 | 10,000 | 268 | 13,000 | 348 | 14,000 | 375 | ---- | ---- |
| | | 500 | 34.5 | | | 8500 | 228 | 10,800 | 289 | 13,400 | 359 | 14,800 | 397 | ---- | ---- |
| | | 600 | 41.4 | | | 10,000 | 268 | 12,000 | 322 | 13,800 | 370 | ---- | ---- | ---- | ---- |
| | | 1000 | 69.0 | | | 11,000 | 295 | 12,300 | 330 | 15,000 | 402 | ---- | ---- | ---- | ---- |
| | 1500 | 103 | 12,000 | 322 | 13,000 | 348 | ---- | ---- | ---- | ---- | ---- | ---- | | | |
| | 17 to 30 psig / 1.17 to 2.1 bar 0W019027022 Silver | 30 | 2.1 | 20 | 1.4 | 590 | 16 | 900 | 24 | 1700 | 46 | 3300 | 88 | 4700 | 126 |
| | | 40 | 2.8 | | | 790 | 21 | 1700 | 46 | 2400 | 64 | 4000 | 107 | 6100 | 163 |
| | | 50 | 3.4 | | | 900 | 24 | 2200 | 59 | 3600 | 96 | 4900 | 131 | 6900 | 185 |
| | | 60 | 4.1 | | | 1050 | 28 | 2500 | 67 | 4000 | 107 | 5500 | 147 | 7400 | 198 |
| | | 100 | 6.9 | | | 1700 | 46 | 4000 | 107 | 5500 | 147 | 7600 | 204 | 9700 | 260 |
| | | 200 | 13.8 | | | 3400 | 91 | 6400 | 172 | 9100 | 244 | 11,000 | 295 | 12,000 | 322 |
| | | 400 | 27.6 | | | 7000 | 188 | 8700 | 233 | 11,000 | 295 | 13,000 | 348 | ---- | ---- |
| | | 500 | 34.5 | | | 8000 | 214 | 9800 | 263 | 11,800 | 316 | 13,700 | 367 | ---- | ---- |
| | | 600 | 41.4 | | | 9600 | 257 | 11,000 | 295 | 13,000 | 348 | ---- | ---- | ---- | ---- |
| | | 1000 | 69.0 | | | 10,000 | 268 | 12,000 | 322 | 14,000 | 375 | ---- | ---- | ---- | ---- |
| | 1500 | 103 | 12,000 | 322 | 13,000 | 348 | ---- | ---- | ---- | ---- | ---- | ---- | | | |
| | 27 to 40 psig / 1.9 to 2.8 bar 0Y066427022 Green Stripe | 40 | 2.8 | 30 | 2.1 | 800 | 21 | 1500 | 40 | 2400 | 64 | 4400 | 118 | 6400 | 172 |
| | | 50 | 3.4 | | | 900 | 24 | 2000 | 54 | 3200 | 86 | 5600 | 150 | 7700 | 206 |
| 60 | | 4.1 | 1100 | | | 29 | 2500 | 67 | 3900 | 105 | 6300 | 169 | 8900 | 239 | |
| 100 | | 6.9 | 1700 | | | 46 | 3900 | 105 | 6400 | 172 | 9400 | 252 | 11,000 | 295 | |
| 200 | | 13.8 | 3500 | | | 94 | 7000 | 188 | 9400 | 252 | 14,000 | 375 | 15,000 | 402 | |
| 400 | | 27.6 | 6900 | | | 185 | 12,000 | 322 | 15,000 | 402 | 17,000 | 456 | ---- | ---- | |
| 500 | | 34.5 | 8800 | | | 236 | 12,500 | 335 | 15,600 | 418 | 17,800 | 477 | ---- | ---- | |
| 600 | | 41.4 | 9700 | | | 260 | 13,400 | 359 | 16,000 | 429 | ---- | ---- | ---- | ---- | |
| 1000 | | 69.0 | 15,600 | | | 418 | 15,800 | 423 | 17,900 | 480 | ---- | ---- | ---- | ---- | |
| 1500 | | 103 | 16,400 | | | 440 | 18,000 | 482 | ---- | ---- | ---- | ---- | ---- | ---- | |
| | 50 | 3.4 | 40 | 2.8 | 950 | 25 | 1800 | 48 | 3200 | 86 | 5500 | 147 | 8900 | 239 | |
| | 60 | 4.1 | | | 1100 | 29 | 2300 | 67 | 4100 | 110 | 7500 | 201 | 10,000 | 268 | |
| | 100 | 6.9 | | | 1800 | 48 | 4100 | 110 | 7000 | 188 | 11,000 | 295 | 14,000 | 375 | |
| | 200 | 13.8 | | | 3500 | 94 | 7800 | 209 | 12,000 | 322 | 17,000 | 456 | 19,000 | 509 | |
| | 400 | 27.6 | | | 7100 | 190 | 15,000 | 402 | 18,000 | 482 | 21,000 | 563 | ---- | ---- | |
| | 500 | 34.5 | | | 8800 | 236 | 16,500 | 442 | 18,700 | 501 | 21,700 | 582 | ---- | ---- | |
| | 600 | 41.4 | | | 9800 | 263 | 18,000 | 482 | 21,000 | 563 | ---- | ---- | ---- | ---- | |
| | 1000 | 69.0 | | | 16,800 | 450 | 19,800 | 531 | 22,800 | 611 | ---- | ---- | ---- | ---- | |
| | 1500 | 103 | | | 20,000 | 536 | 22,000 | 590 | ---- | ---- | ---- | ---- | ---- | ---- | |

- continued -

Table 3. 1-Inch / DN 25 Body Capacities (Based on 20% Droop) (continued)

| | OUTLET PRESSURE RANGE, SPRING PART NUMBER, AND COLOR | INLET PRESSURE | | OUTLET PRESSURE | | 1-INCH / DN 25 BODY CAPACITIES IN SCFH / Nm ³ /h OF 0.6 SPECIFIC GRAVITY OF NATURAL GAS | | | | | | | | | | | |
|---------------------------------------------------------------------------|---------------------------------------------------------------------|---------------------------------------------------------------------|--------|-----------------|-----|----------------------------------------------------------------------------------------------------|--------------------|------------|--------------------|-----------|--------------------|-----------|--------------------|----------|--------------------|--------|--------|
| | | | | | | Orifice Size, Inches / mm | | | | | | | | | | | |
| | | | | | | 1/8 / 3.2 | | 3/16 / 4.8 | | 1/4 / 6.4 | | 3/8 / 9.5 | | 1/2 / 13 | | | |
| | | psig | bar | psig | bar | SCFH | Nm ³ /h | SCFH | Nm ³ /h | SCFH | Nm ³ /h | SCFH | Nm ³ /h | SCFH | Nm ³ /h | | |
| HIGH PRESSURE | 27 to 50 psig / 1.9 to 3.4 bar 0W019227022 Red Stripe | 60 | 4.1 | 50 | 3.4 | 900 | 24 | 2000 | 54 | 3100 | 83 | 5200 | 139 | 8100 | 217 | | |
| | | 100 | 6.9 | | | 1700 | 46 | 3500 | 94 | 5700 | 153 | 10,500 | 281 | 13,000 | 348 | | |
| | | 200 | 13.8 | | | 3500 | 94 | 7800 | 209 | 11,000 | 295 | 16,000 | 429 | 19,000 | 509 | | |
| | | 300 | 20.7 | | | 5300 | 142 | 10,500 | 281 | 14,000 | 375 | 20,000 | 536 | 23,000 | 616 | | |
| | | 400 | 27.6 | | | 6900 | 185 | 13,000 | 348 | 17,000 | 456 | 23,000 | 616 | ---- | ---- | | |
| | | 500 | 34.5 | | | 8700 | 233 | 15,000 | 402 | 19,000 | 509 | 25,000 | 670 | ---- | ---- | | |
| | | 600 | 41.4 | | | 9800 | 263 | 17,000 | 456 | 21,000 | 563 | ---- | ---- | ---- | ---- | | |
| | | 1000 | 69.0 | | | 16,200 | 434 | 22,300 | 598 | 26,300 | 705 | ---- | ---- | ---- | ---- | | |
| | | 1500 | 103 | | | 19,000 | 509 | 25,000 | 670 | ---- | ---- | ---- | ---- | ---- | ---- | | |
| | | 46 to 95 psig / 3.2 to 6.6 bar 0W019127022 Olive Drab | 60 | | | 4.1 | 50 | 3.4 | 800 | 21 | 1500 | 40 | 2400 | 64 | 4300 | 115 | 6400 |
| | 100 | | 6.9 | 1500 | 40 | 3100 | | | 83 | 4200 | 113 | 7500 | 201 | 10,000 | 268 | | |
| | 200 | | 13.8 | 3400 | 91 | 6800 | | | 182 | 9400 | 252 | 14,000 | 375 | 17,000 | 456 | | |
| | 300 | | 20.7 | 5200 | 139 | 8900 | | | 239 | 11,000 | 295 | 16,000 | 429 | 20,000 | 536 | | |
| | 400 | | 27.6 | 6800 | 182 | 11,000 | | | 295 | 15,000 | 402 | 20,000 | 536 | ---- | ---- | | |
| | 500 | | 34.5 | 8600 | 230 | 12,300 | | | 330 | 16,300 | 437 | 22,000 | 590 | ---- | ---- | | |
| | 600 | | 41.4 | 9800 | 263 | 14,000 | | | 375 | 19,000 | 509 | ---- | ---- | ---- | ---- | | |
| | 1000 | | 69.0 | 13,500 | 362 | 18,400 | | | 493 | 21,700 | 582 | ---- | ---- | ---- | ---- | | |
| | 1500 | | 103 | 18,000 | 482 | 24,000 | | | 643 | ---- | ---- | ---- | ---- | ---- | ---- | | |
| | 100 to 150 psig / 6.2 to 10.3 bar 0W019027022 Sliver | | 100 | 6.9 | 75 | 5.17 | | | 1700 | 46 | 3200 | 86 | 5000 | 134 | 8000 | 214 | 13,000 |
| | | 200 | 13.8 | 3500 | | | 94 | 7300 | 196 | 10,000 | 268 | 16,000 | 429 | 22,000 | 590 | | |
| 400 | | 27.6 | 7100 | 190 | | | 14,000 | 375 | 19,000 | 509 | 27,000 | 724 | ---- | ---- | | | |
| 500 | | 34.5 | 8600 | 230 | | | 16,300 | 437 | 21,300 | 571 | 28,700 | 769 | ---- | ---- | | | |
| 600 | | 41.4 | 9900 | 265 | | | 19,000 | 509 | 25,000 | 670 | ---- | ---- | ---- | ---- | | | |
| 1000 | | 69.0 | 16,700 | 448 | | | 25,800 | 691 | 31,000 | 831 | ---- | ---- | ---- | ---- | | | |
| 1500 | | 103 | 23,000 | 616 | | | 32,000 | 858 | ---- | ---- | ---- | ---- | ---- | ---- | | | |
| 150 to 200 psig / 10.3 to 13.8 bar 0Y066427022 Green Stripe | | 200 | 13.8 | 150 | | | 10.3 | 3400 | 91 | 6200 | 166 | 9300 | 249 | 16,000 | 429 | 26,000 | 697 |
| | | 300 | 20.7 | | | | | 5300 | 142 | 10,000 | 268 | 15,000 | 402 | 24,000 | 643 | 30,000 | 804 |
| | | 400 | 27.6 | | | | | 7100 | 190 | 14,000 | 375 | 21,000 | 563 | 32,000 | 858 | 38,000 | 1018 |
| | 500 | 34.5 | 8000 | | 214 | 18,800 | | 504 | 26,300 | 705 | 39,300 | 1053 | ---- | ---- | | | |
| | 800 | 55.2 | 13,000 | | 348 | 29,000 | | 777 | 38,000 | 1018 | ---- | ---- | ---- | ---- | | | |
| | 1000 | 69.0 | 17,000 | | 456 | 34,000 | | 911 | 44,300 | 1187 | ---- | ---- | ---- | ---- | | | |
| | 1500 | 103 | 26,000 | | 697 | 47,000 | | 1260 | ---- | ---- | ---- | ---- | ---- | ---- | | | |

- continued -

Bulletin 71.1:630

Table 3. 1-Inch / DN 25 Body Capacities (Based on 20% Droop) (continued)

| | OUTLET PRESSURE RANGE, SPRING PART NUMBER, AND COLOR | INLET PRESSURE | | OUTLET PRESSURE | | 1-INCH / DN 25 BODY CAPACITIES IN SCFH / Nm ³ /h OF 0.6 SPECIFIC GRAVITY OF NATURAL GAS | | | | | | | | | | | |
|----------------------|----------------------------------------------------------------------------|----------------|--------|-----------------|--------|----------------------------------------------------------------------------------------------------|--------------------|------------|--------------------|-----------|--------------------|-----------|--------------------|----------|--------------------|--------|------|
| | | | | | | Orifice Size, Inches / mm | | | | | | | | | | | |
| | | psig | bar | psig | bar | 1/8 / 3.2 | | 3/16 / 4.8 | | 1/4 / 6.4 | | 3/8 / 9.5 | | 1/2 / 13 | | | |
| | | | | | | SCFH | Nm ³ /h | SCFH | Nm ³ /h | SCFH | Nm ³ /h | SCFH | Nm ³ /h | SCFH | Nm ³ /h | | |
| HIGH PRESSURE | 150 to 200 psig / 10.3 to 13.8 bar 0Y066427022 Green Stripe | 250 | 17.2 | 200 | 13.8 | 4200 | 113 | 8300 | 222 | 12,000 | 322 | 20,000 | 536 | 30,000 | 804 | | |
| | | 300 | 20.7 | | | 5200 | 139 | 10,000 | 268 | 16,000 | 429 | 25,000 | 670 | 35,000 | 938 | | |
| | | 600 | 41.4 | | | 9500 | 255 | 22,000 | 590 | 34,000 | 911 | 55,000 | 1474 | ---- | ---- | | |
| | | 700 | 48.3 | | | 11,000 | 295 | 25,000 | 670 | 40,000 | 1072 | 61,500 | 1648 | ---- | ---- | | |
| | | 800 | 55.2 | | | 13,000 | 348 | 30,000 | 804 | 43,000 | 1152 | ---- | ---- | ---- | ---- | | |
| | 200 to 275 psig / 13.8 to 19.0 bar 1J146927142 Blue Stripe | 1000 | 69.0 | 200 | 13.8 | 16,000 | 429 | 37,000 | 992 | 50,000 | 1340 | ---- | ---- | ---- | ---- | | |
| | | 1200 | 82.7 | | | 20,000 | 536 | 41,000 | 1099 | 59,000 | 1581 | ---- | ---- | ---- | ---- | | |
| | | 1500 | 103 | | | 26,000 | 697 | 53,000 | 1420 | ---- | ---- | ---- | ---- | ---- | ---- | | |
| | | 300 | 20.7 | | | 250 | 17.2 | 4900 | 131 | 9000 | 241 | 15,000 | 402 | 28,000 | 750 | 42,000 | 1126 |
| | | 400 | 27.6 | | | | | 7000 | 188 | 14,000 | 375 | 23,000 | 616 | 40,000 | 1072 | 56,000 | 1501 |
| | 500 | 34.5 | 8500 | 228 | 18,000 | | | 482 | 29,000 | 777 | 51,000 | 1367 | 65,000 | 1742 | | | |
| | 600 | 41.4 | 9500 | 255 | 22,000 | | | 590 | 34,000 | 911 | 59,000 | 1581 | ---- | ---- | | | |
| | 1000 | 69.0 | 16,000 | 429 | 39,000 | | | 1045 | 58,000 | 1554 | ---- | ---- | ---- | ---- | | | |
| | 275 to 500 psig / 19.0 to 34.5 bar 1K370927082 Yellow Stripe | 1500 | 103 | 275 | 19.0 | 26,000 | 697 | 59,000 | 1581 | ---- | ---- | ---- | ---- | ---- | ---- | | |
| | | 300 | 20.7 | | | 4700 | 126 | 9000 | 241 | 15,000 | 402 | 28,000 | 750 | 39,000 | 1045 | | |
| | | 400 | 27.6 | | | 6900 | 185 | 14,000 | 375 | 25,000 | 670 | 40,000 | 1072 | 54,000 | 1447 | | |
| | | 600 | 41.4 | | | 9300 | 249 | 21,000 | 563 | 39,800 | 1067 | 76,100 | 2039 | ---- | ---- | | |
| | | 1000 | 69.0 | | | 16,000 | 429 | 39,000 | 1045 | 67,000 | 1796 | ---- | ---- | ---- | ---- | | |
| | | 1500 | 103 | 275 | 19.0 | 26,000 | 697 | 60,000 | 1608 | ---- | ---- | ---- | ---- | ---- | ---- | | |
| | | | | | | 300 | 20.7 | 4500 | 121 | 7500 | 201 | 10,000 | 268 | 20,000 | 536 | 31,000 | 831 |
| 400 | | | | | | 27.6 | 6600 | 177 | 12,000 | 322 | 16,000 | 429 | 31,000 | 831 | 43,000 | 1152 | |
| 600 | | | | | | 41.4 | 9300 | 249 | 18,400 | 493 | 24,300 | 651 | 43,800 | 1174 | ---- | ---- | |
| 1000 | | | | | | 69.0 | 17,000 | 456 | 32,000 | 858 | 43,000 | 1152 | ---- | ---- | ---- | ---- | |
| 1500 | | 103 | 275 | 19.0 | 26,000 | 697 | 46,000 | 1233 | ---- | ---- | ---- | ---- | ---- | ---- | | | |
| | | | | | 300 | 20.7 | 6600 | 177 | 11,000 | 295 | 16,000 | 429 | 31,000 | 831 | 42,000 | 1126 | |
| | | | | | 600 | 41.4 | 9900 | 265 | 19,000 | 509 | 26,000 | 697 | 48,000 | 1286 | ---- | ---- | |
| | | | | | 700 | 48.3 | 11,000 | 295 | 23,000 | 616 | 30,000 | 804 | 54,000 | 1447 | ---- | ---- | |
| | | | | | 800 | 55.2 | 13,000 | 348 | 26,000 | 697 | 35,000 | 938 | 61,000 | 1635 | ---- | ---- | |
| | 1000 | | | | 69.0 | 16,800 | 450 | 32,500 | 871 | 43,800 | 1174 | ---- | ---- | ---- | ---- | | |
| | 1300 | | | | 89.6 | 22,000 | 590 | 43,000 | 1152 | 58,000 | 1554 | ---- | ---- | ---- | ---- | | |
| | 1500 | | | | 103 | 26,000 | 697 | 49,000 | 1313 | ---- | ---- | ---- | ---- | ---- | ---- | | |
| | 400 | | | | 27.6 | 400 | 27.6 | 8300 | 222 | 16,000 | 429 | 24,000 | 643 | 44,000 | 1179 | 62,000 | 1662 |
| | 600 | | | | 41.4 | | | 9400 | 252 | 21,300 | 571 | 30,000 | 804 | 55,300 | 1482 | ---- | ---- |
| 800 | 55.2 | 13,000 | 348 | 30,000 | 804 | | | 41,000 | 1099 | 76,000 | 2037 | ---- | ---- | | | | |
| 900 | 62.1 | 15,000 | 402 | 34,000 | 911 | | | 49,000 | 1313 | 85,000 | 2278 | ---- | ---- | | | | |
| 1000 | 69.0 | 17,000 | 456 | 38,000 | 1018 | | | 54,000 | 1447 | ---- | ---- | ---- | ---- | | | | |
| 1500 | 103 | 400 | 27.6 | 20,000 | 536 | 46,000 | 1233 | 63,000 | 1688 | ---- | ---- | ---- | ---- | | | | |
| | | | | 24,000 | 643 | 55,000 | 1474 | 76,000 | 2037 | ---- | ---- | ---- | ---- | | | | |
| | | | | 26,000 | 697 | 60,000 | 1608 | ---- | ---- | ---- | ---- | ---- | ---- | ---- | | | |
| | | | | 500 | 34.5 | 500 | 34.5 | 8700 | 233 | 16,000 | 429 | 26,000 | 697 | 50,000 | 1340 | 77,000 | 2064 |
| | | | | 600 | 41.4 | | | 9500 | 255 | 19,000 | 509 | 36,800 | 986 | 57,000 | 1528 | ---- | ---- |
| 900 | 62.1 | 15,000 | 402 | 34,000 | 911 | | | 52,000 | 1394 | 92,000 | 2466 | ---- | ---- | | | | |
| 1000 | 69.0 | 17,000 | 456 | 39,000 | 1045 | | | 60,000 | 1608 | 100,000 | 2680 | ---- | ---- | | | | |
| 1500 | 103 | 26,000 | 697 | 59,000 | 1581 | | | 72,000 | 1930 | ---- | ---- | ---- | ---- | | | | |

Table 4. 2-Inch / DN 50 Body Capacities (Based on 20% Droop)

| | OUTLET PRESSURE RANGE, SPRING PART NUMBER, AND COLOR | INLET PRESSURE | | OUTLET PRESSURE | | 2-INCH / DN 50 BODY CAPACITIES IN SCFH / Nm ³ /h OF 0.6 SPECIFIC GRAVITY OF NATURAL GAS | | | | | | | | | |
|---------------------|-------------------------------------------------------------------------|----------------|--------------------|-----------------|--------------------|----------------------------------------------------------------------------------------------------|--------------------|------------|--------------------|-----------|--------------------|-----------|--------------------|----------|------|
| | | psig | bar | psig | bar | Orifice Size, Inches / mm | | | | | | | | | |
| | | | | | | 1/8 / 3.2 | | 3/16 / 4.8 | | 1/4 / 6.4 | | 3/8 / 9.5 | | 1/2 / 13 | |
| | | SCFH | Nm ³ /h | SCFH | Nm ³ /h | SCFH | Nm ³ /h | SCFH | Nm ³ /h | SCFH | Nm ³ /h | SCFH | Nm ³ /h | | |
| LOW PRESSURE | 3 to 10 psig / 0.21 to 0.69 bar 0W019227022 Red Stripe | 10 | 0.69 | 5 | 0.34 | 290 | 8 | 830 | 22 | 1300 | 35 | 3300 | 88 | 5900 | 158 |
| | | 20 | 1.4 | | | 500 | 13 | 1200 | 32 | 2100 | 56 | 4800 | 129 | 9100 | 244 |
| | | 30 | 2.1 | | | 760 | 20 | 1600 | 43 | 2700 | 72 | 7000 | 188 | 11,000 | 295 |
| | | 50 | 3.4 | | | 1100 | 29 | 2200 | 59 | 3900 | 105 | 9800 | 263 | 17,000 | 456 |
| | | 60 | 4.1 | | | 1250 | 34 | 2700 | 72 | 4500 | 121 | 11,100 | 297 | 19,500 | 523 |
| | | 100 | 6.9 | | | 1900 | 51 | 4300 | 115 | 7000 | 188 | 17,000 | 456 | 30,000 | 804 |
| | | 200 | 13.8 | | | 3700 | 99 | 8200 | 220 | 13,000 | 348 | 32,000 | 858 | 57,000 | 1528 |
| | | 400 | 27.6 | | | 7200 | 193 | 16,000 | 429 | 28,000 | 750 | 64,000 | 1715 | ---- | ---- |
| | | 500 | 34.5 | | | 9100 | 244 | 19,000 | 509 | 35,000 | 938 | 79,000 | 2117 | ---- | ---- |
| | | 600 | 41.4 | | | 10,000 | 268 | 24,000 | 643 | 42,000 | 1126 | ---- | ---- | ---- | ---- |
| | | 1000 | 69.0 | | | 18,000 | 482 | 39,000 | 1045 | 69,000 | 1849 | ---- | ---- | ---- | ---- |
| | | 1500 | 103 | | | 22,000 | 590 | 60,000 | 1608 | ---- | ---- | ---- | ---- | ---- | ---- |
| | 20 | 1.4 | 10 | 0.69 | 560 | 15 | 1300 | 35 | 2200 | 59 | 5100 | 137 | 9000 | 241 | |
| | 30 | 2.1 | | | 770 | 21 | 1500 | 40 | 3000 | 80 | 7000 | 188 | 11,000 | 295 | |
| | 50 | 3.4 | | | 1100 | 29 | 2400 | 64 | 4300 | 115 | 9800 | 263 | 17,000 | 456 | |
| | 60 | 4.1 | | | 1250 | 34 | 2800 | 75 | 5000 | 134 | 11,100 | 297 | 19,500 | 523 | |
| | 100 | 6.9 | | | 1900 | 51 | 4400 | 118 | 7600 | 204 | 17,000 | 456 | 30,000 | 804 | |
| | 200 | 13.8 | | | 3700 | 99 | 8100 | 217 | 14,000 | 375 | 33,000 | 884 | 57,000 | 1528 | |
| | 400 | 27.6 | | | 7200 | 193 | 16,000 | 429 | 28,000 | 750 | 62,000 | 1662 | ---- | ---- | |
| | 500 | 34.5 | | | 8900 | 239 | 19,000 | 509 | 35,000 | 938 | 76,000 | 2037 | ---- | ---- | |
| | 600 | 41.4 | | | 10,000 | 268 | 23,000 | 616 | 42,000 | 1126 | ---- | ---- | ---- | ---- | |
| | 1000 | 69.0 | | | 18,000 | 482 | 40,000 | 1072 | 72,000 | 1930 | ---- | ---- | ---- | ---- | |
| | 1500 | 103 | | | 27,000 | 724 | 60,000 | 1608 | ---- | ---- | ---- | ---- | ---- | ---- | |
| | 20 | 1.4 | | | 10 | 0.69 | 550 | 15 | 1200 | 32 | 1700 | 46 | 2500 | 67 | 4900 |
| 30 | 2.1 | 760 | 20 | 1500 | | | 40 | 2500 | 67 | 4600 | 123 | 8800 | 236 | | |
| 50 | 3.4 | 1000 | 27 | 2300 | | | 62 | 3800 | 102 | 7800 | 209 | 16,000 | 429 | | |
| 60 | 4.1 | 1200 | 32 | 2700 | | | 72 | 4500 | 121 | 9900 | 265 | 18,500 | 496 | | |
| 100 | 6.9 | 1900 | 51 | 4300 | | | 115 | 7400 | 198 | 17,000 | 456 | 30,000 | 804 | | |
| 200 | 13.8 | 3600 | 96 | 8000 | | | 214 | 14,000 | 375 | 32,000 | 858 | 57,000 | 1528 | | |
| 400 | 27.6 | 7200 | 193 | 15,000 | | | 402 | 28,000 | 750 | 60,000 | 1608 | ---- | ---- | | |
| 500 | 34.5 | 8800 | 236 | 19,000 | | | 509 | 35,000 | 938 | 74,000 | 1983 | ---- | ---- | | |
| 600 | 41.4 | 10,000 | 268 | 23,000 | | | 616 | 42,000 | 1126 | ---- | ---- | ---- | ---- | | |
| 1000 | 69.0 | 18,000 | 482 | 39,000 | | | 1045 | 72,000 | 1930 | ---- | ---- | ---- | ---- | | |
| 1500 | 103 | 27,000 | 724 | 60,000 | | | 1608 | ---- | ---- | ---- | ---- | ---- | ---- | | |
| 20 | 1.4 | 15 | 1.0 | 520 | | | 14 | 1100 | 29 | 1800 | 48 | 3500 | 94 | 5700 | 153 |
| 30 | 2.1 | | | 740 | 20 | 1600 | 43 | 2800 | 75 | 5900 | 158 | 10,000 | 268 | | |
| 50 | 3.4 | | | 1100 | 29 | 2400 | 64 | 4300 | 115 | 9800 | 263 | 16,000 | 429 | | |
| 60 | 4.1 | | | 1250 | 34 | 2800 | 75 | 5000 | 134 | 11,100 | 297 | 18,500 | 496 | | |
| 100 | 6.9 | | | 1900 | 51 | 4400 | 118 | 7800 | 209 | 17,000 | 456 | 30,000 | 804 | | |
| 200 | 13.8 | | | 3700 | 99 | 8300 | 222 | 14,000 | 375 | 31,000 | 831 | 57,000 | 1528 | | |
| 400 | 27.6 | | | 7200 | 193 | 16,000 | 429 | 29,000 | 777 | 64,000 | 1715 | ---- | ---- | | |
| 500 | 34.5 | | | 9200 | 247 | 20,000 | 536 | 37,000 | 992 | 82,000 | 2198 | ---- | ---- | | |
| 600 | 41.4 | | | 11,000 | 295 | 23,000 | 616 | 42,000 | 1126 | ---- | ---- | ---- | ---- | | |
| 1000 | 69.0 | | | 18,000 | 482 | 40,000 | 1072 | 71,000 | 1903 | ---- | ---- | ---- | ---- | | |
| 1500 | 103 | | | 27,000 | 724 | 60,000 | 1608 | ---- | ---- | ---- | ---- | ---- | ---- | | |

- continued -

Bulletin 71.1:630

Table 4. 2-Inch / DN 50 Body Capacities (Based on 20% Droop) (continued)

| | OUTLET PRESSURE RANGE, SPRING PART NUMBER, AND COLOR | INLET PRESSURE | | OUTLET PRESSURE | | 2-INCH / DN 50 BODY CAPACITIES IN SCFH / Nm ³ /h OF 0.6 SPECIFIC GRAVITY OF NATURAL GAS | | | | | | | | | |
|--------------|--------------------------------------------------------------------------|----------------|--------------------|-----------------|--------------------|----------------------------------------------------------------------------------------------------|--------------------|------------|--------------------|-----------|--------------------|-----------|--------------------|----------|------|
| | | psig | bar | psig | bar | Orifice Size, Inches / mm | | | | | | | | | |
| | | | | | | 1/8 / 3.2 | | 3/16 / 4.8 | | 1/4 / 6.4 | | 3/8 / 9.5 | | 1/2 / 13 | |
| | | SCFH | Nm ³ /h | SCFH | Nm ³ /h | SCFH | Nm ³ /h | SCFH | Nm ³ /h | SCFH | Nm ³ /h | SCFH | Nm ³ /h | | |
| LOW PRESSURE | 8 to 20 psig / 0.55 to 1.4 bar 0W019127022 Olive Drab | 30 | 2.1 | 20 | 1.4 | 700 | 19 | 1600 | 43 | 2600 | 70 | 5200 | 139 | 9200 | 247 |
| | | 40 | 2.8 | | | 900 | 24 | 2100 | 56 | 3500 | 94 | 7500 | 201 | 12,000 | 322 |
| | | 50 | 3.4 | | | 1100 | 29 | 2400 | 64 | 4300 | 115 | 9400 | 252 | 15,000 | 402 |
| | | 60 | 4.1 | | | 1250 | 34 | 2800 | 75 | 5100 | 137 | 11,000 | 295 | 18,000 | 482 |
| | | 100 | 6.9 | | | 1900 | 51 | 4300 | 115 | 7800 | 209 | 17,000 | 456 | 29,000 | 777 |
| | | 200 | 13.8 | | | 3700 | 99 | 8200 | 220 | 14,000 | 375 | 32,000 | 858 | 59,000 | 1581 |
| | | 400 | 27.6 | | | 7300 | 196 | 16,000 | 429 | 28,000 | 750 | 63,000 | 1688 | ---- | ---- |
| | | 500 | 34.5 | | | 9100 | 244 | 19,300 | 517 | 35,500 | 951 | 78,800 | 2112 | ---- | ---- |
| | | 600 | 41.4 | | | 11,000 | 295 | 24,000 | 643 | 43,000 | 1152 | ---- | ---- | ---- | ---- |
| | | 1000 | 69.0 | | | 17,700 | 474 | 39,200 | 1051 | 71,600 | 1919 | ---- | ---- | ---- | ---- |
| | 1500 | 103 | 27,000 | 724 | 60,000 | 1608 | ---- | ---- | ---- | ---- | ---- | ---- | | | |
| | 17 to 30 psig / 1.17 to 2.1 bar 0W019027022 Silver | 30 | 2.1 | 20 | 1.4 | 680 | 18 | 1300 | 35 | 2100 | 56 | 3500 | 94 | 6000 | 161 |
| | | 40 | 2.8 | | | 890 | 24 | 1800 | 48 | 2800 | 75 | 5100 | 137 | 8200 | 220 |
| | | 50 | 3.4 | | | 1000 | 27 | 2300 | 62 | 3700 | 99 | 6200 | 166 | 10,000 | 268 |
| | | 60 | 4.1 | | | 1200 | 32 | 2700 | 72 | 4300 | 115 | 7400 | 198 | 12,500 | 335 |
| | | 100 | 6.9 | | | 1900 | 51 | 4200 | 113 | 6900 | 185 | 12,000 | 322 | 24,000 | 643 |
| | | 200 | 13.8 | | | 3500 | 94 | 8000 | 214 | 13,000 | 348 | 32,000 | 858 | 56,000 | 1501 |
| | | 400 | 27.6 | | | 7100 | 190 | 15,000 | 402 | 28,000 | 750 | 63,000 | 1688 | ---- | ---- |
| | | 500 | 34.5 | | | 8900 | 239 | 19,200 | 515 | 35,500 | 951 | 78,800 | 2112 | ---- | ---- |
| | | 600 | 41.4 | | | 10,000 | 268 | 24,000 | 643 | 42,000 | 1126 | ---- | ---- | ---- | ---- |
| | | 1000 | 69.0 | | | 17,700 | 474 | 39,200 | 1051 | 70,600 | 1892 | ---- | ---- | ---- | ---- |
| | 1500 | 103 | 27,000 | 724 | 60,000 | 1608 | ---- | ---- | ---- | ---- | ---- | ---- | | | |
| | 27 to 40 psig / 1.9 to 2.8 bar 0Y066427022 Green Stripe | 40 | 2.8 | 30 | 2.1 | 850 | 23 | 1600 | 43 | 2600 | 70 | 4500 | 121 | 7200 | 193 |
| | | 50 | 3.4 | | | 1000 | 27 | 2200 | 59 | 3500 | 94 | 5900 | 158 | 9700 | 260 |
| 60 | | 4.1 | 1200 | | | 32 | 2600 | 70 | 4200 | 113 | 7300 | 196 | 12,000 | 322 | |
| 100 | | 6.9 | 1800 | | | 48 | 4200 | 113 | 6900 | 185 | 12,000 | 322 | 23,000 | 616 | |
| 200 | | 13.8 | 3600 | | | 96 | 8100 | 217 | 14,000 | 375 | 24,000 | 643 | 58,000 | 1554 | |
| 400 | | 27.6 | 7000 | | | 188 | 16,000 | 429 | 28,000 | 750 | 64,000 | 1715 | ---- | ---- | |
| 500 | | 34.5 | 8900 | | | 239 | 19,100 | 512 | 34,900 | 935 | 80,900 | 2168 | ---- | ---- | |
| 600 | | 41.4 | 10,000 | | | 268 | 23,000 | 616 | 42,000 | 1126 | ---- | ---- | ---- | ---- | |
| 1000 | | 69.0 | 18,400 | | | 493 | 39,700 | 1064 | 70,800 | 1897 | ---- | ---- | ---- | ---- | |
| 1500 | | 103 | 27,000 | | | 724 | 61,000 | 1635 | ---- | ---- | ---- | ---- | ---- | ---- | |
| | 50 | 3.4 | 40 | 2.8 | 1000 | 27 | 2100 | 56 | 3400 | 91 | 5900 | 158 | 9900 | 265 | |
| | 60 | 4.1 | | | 1200 | 32 | 2600 | 70 | 4300 | 115 | 7900 | 212 | 12,000 | 322 | |
| | 100 | 6.9 | | | 1900 | 51 | 4300 | 115 | 7200 | 193 | 13,000 | 348 | 24,000 | 643 | |
| | 200 | 13.8 | | | 3600 | 96 | 8200 | 220 | 14,000 | 375 | 30,000 | 804 | 56,000 | 1501 | |
| | 400 | 27.6 | | | 7200 | 193 | 16,000 | 429 | 28,000 | 750 | 63,000 | 1688 | ---- | ---- | |
| | 500 | 34.5 | | | 8900 | 239 | 19,600 | 525 | 35,100 | 941 | 79,400 | 2128 | ---- | ---- | |
| | 600 | 41.4 | | | 10,000 | 268 | 23,000 | 616 | 42,000 | 1126 | ---- | ---- | ---- | ---- | |
| | 1000 | 69.0 | | | 17,300 | 464 | 39,400 | 1056 | 70,200 | 1881 | ---- | ---- | ---- | ---- | |
| | 1500 | 103 | | | 27,000 | 724 | 61,000 | 1635 | ---- | ---- | ---- | ---- | ---- | ---- | |

- continued -

Table 4. 2-Inch / DN 50 Body Capacities (Based on 20% Droop) (continued)

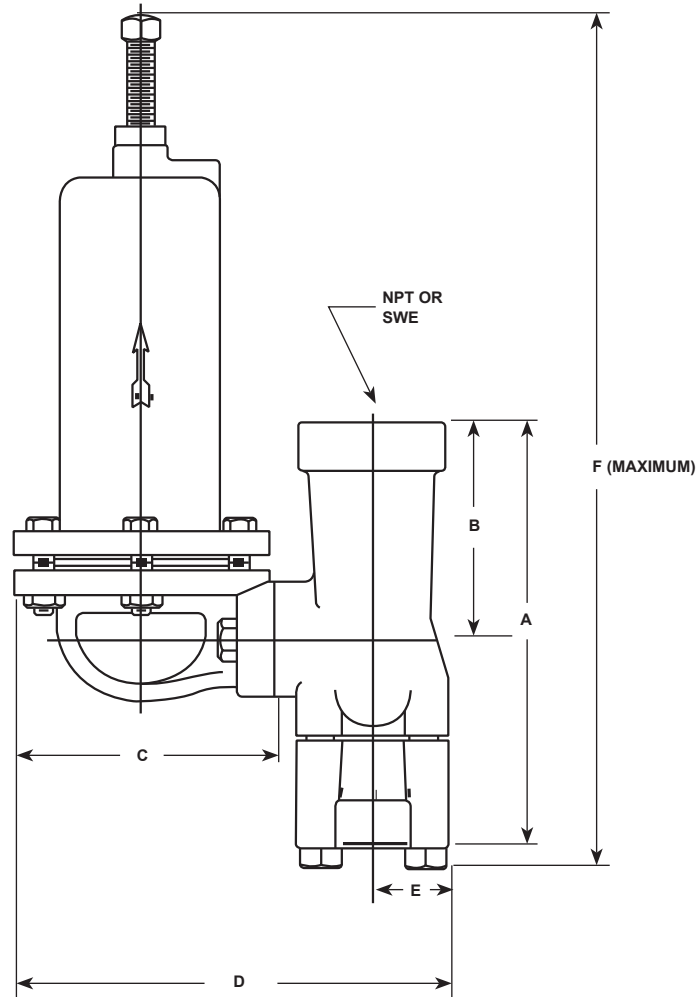
| | OUTLET PRESSURE RANGE, SPRING PART NUMBER, AND COLOR | INLET PRESSURE | | OUTLET PRESSURE | | 2-INCH / DN 50 BODY CAPACITIES IN SCFH / Nm ³ /h OF 0.6 SPECIFIC GRAVITY OF NATURAL GAS | | | | | | | | | | |
|---------------------------------------------------------------------------|---------------------------------------------------------------------|---------------------------------------------------------------------|--------------------|-----------------|--------------------|----------------------------------------------------------------------------------------------------|--------------------|------------|--------------------|-----------|--------------------|-----------|--------------------|----------|--------|--------|
| | | psig | bar | psig | bar | Orifice Size, Inches / mm | | | | | | | | | | |
| | | | | | | 1/8 / 3.2 | | 3/16 / 4.8 | | 1/4 / 6.4 | | 3/8 / 9.5 | | 1/2 / 13 | | |
| | | SCFH | Nm ³ /h | SCFH | Nm ³ /h | SCFH | Nm ³ /h | SCFH | Nm ³ /h | SCFH | Nm ³ /h | SCFH | Nm ³ /h | | | |
| HIGH PRESSURE | 27 to 50 psig / 1.9 to 3.4 bar 0W019227022 Red Stripe | 60 | 4.1 | 50 | 3.4 | 1000 | 27 | 2100 | 56 | 3200 | 86 | 5300 | 142 | 12,000 | 322 | |
| | | 100 | 6.9 | | | 1800 | 48 | 3600 | 96 | 5800 | 155 | 10,000 | 268 | 21,000 | 563 | |
| | | 200 | 13.8 | | | 3600 | 96 | 7900 | 212 | 12,000 | 322 | 21,000 | 563 | 55,000 | 1474 | |
| | | 300 | 20.7 | | | 5500 | 147 | 11,000 | 295 | 19,000 | 509 | 48,000 | 1286 | 83,000 | 2224 | |
| | | 400 | 27.6 | | | 7000 | 188 | 15,000 | 402 | 27,000 | 724 | 63,000 | 1688 | ----- | ----- | |
| | | 500 | 34.5 | | | 8800 | 236 | 19,000 | 509 | 34,300 | 919 | 79,700 | 2136 | ----- | ----- | |
| | | 600 | 41.4 | | | 10,000 | 268 | 23,000 | 616 | 42,000 | 1126 | ----- | ----- | ----- | ----- | |
| | | 1000 | 69.0 | | | 18,000 | 482 | 39,900 | 1069 | 70,400 | 1887 | ----- | ----- | ----- | ----- | |
| | | 1500 | 103 | | | 27,000 | 724 | 60,000 | 1608 | ----- | ----- | ----- | ----- | ----- | ----- | |
| | | 46 to 95 psig / 3.2 to 6.6 bar 0W019127022 Olive Drab | 60 | | | 4.1 | 50 | 3.4 | 900 | 24 | 1600 | 43 | 2500 | 67 | 4400 | 118 |
| | 100 | | 6.9 | 1600 | 43 | 3400 | | | 91 | 4300 | 115 | 7600 | 204 | 12,000 | 322 | |
| | 200 | | 13.8 | 3500 | 94 | 6700 | | | 180 | 9600 | 257 | 16,000 | 429 | 27,000 | 724 | |
| | 300 | | 20.7 | 5300 | 142 | 10,000 | | | 268 | 14,000 | 375 | 27,000 | 724 | 51,000 | 1367 | |
| | 400 | | 27.6 | 6900 | 185 | 13,000 | | | 348 | 21,000 | 563 | 46,000 | 1233 | ----- | ----- | |
| | 500 | | 34.5 | 8700 | 233 | 16,300 | | | 437 | 26,300 | 705 | 73,300 | 1964 | ----- | ----- | |
| | 600 | | 41.4 | 10,000 | 268 | 20,000 | | | 536 | 35,000 | 938 | ----- | ----- | ----- | ----- | |
| | 1000 | | 69.0 | 17,100 | 458 | 38,700 | | | 1037 | 68,800 | 1844 | ----- | ----- | ----- | ----- | |
| | 1500 | | 103 | 26,000 | 697 | 59,000 | | | 1581 | ----- | ----- | ----- | ----- | ----- | ----- | |
| | 100 | | 6.9 | 75 | 5.17 | 1800 | | | 48 | 3300 | 88 | 5200 | 139 | 9000 | 241 | 14,000 |
| | 200 | 13.8 | 3600 | | | 96 | 7400 | 198 | 11,000 | 295 | 19,000 | 509 | 30,000 | 804 | | |
| 400 | 27.6 | 7200 | 193 | | | 15,000 | 402 | 24,000 | 643 | ----- | ----- | ----- | ----- | | | |
| 500 | 34.5 | 8700 | 233 | | | 19,000 | 509 | 31,400 | 842 | ----- | ----- | ----- | ----- | | | |
| 600 | 41.4 | 10,000 | 268 | | | 23,000 | 616 | 39,000 | 1045 | ----- | ----- | ----- | ----- | | | |
| 1000 | 69.0 | 17,600 | 472 | | | 39,000 | 1045 | 69,300 | 1857 | ----- | ----- | ----- | ----- | | | |
| 1500 | 103 | 24,000 | 643 | | | 60,000 | 1608 | ----- | ----- | ----- | ----- | ----- | ----- | | | |
| 90 to 150 psig / 6.2 to 10.3 bar 0W019027022 Silver | 150 | 10.3 | 100 | | | 6.9 | 2600 | 70 | 4900 | 131 | 7400 | 198 | 12,000 | 322 | 18,000 | 482 |
| | 200 | 13.8 | | | | | 3700 | 99 | 6900 | 185 | 10,000 | 268 | 17,000 | 456 | 27,000 | 724 |
| | 300 | 20.7 | | | | | 5400 | 145 | 10,000 | 268 | 16,000 | 429 | 27,000 | 724 | 44,000 | 1179 |
| | 400 | 27.6 | | 7200 | 193 | | 14,000 | 375 | 21,000 | 563 | 39,000 | 1045 | ----- | ----- | | |
| | 500 | 34.5 | | 8600 | 230 | | 17,500 | 469 | 27,500 | 737 | 54,000 | 1447 | ----- | ----- | | |
| | 1000 | 69.0 | | 17,200 | 461 | | 38,600 | 1034 | 66,000 | 1769 | ----- | ----- | ----- | ----- | | |
| | 1500 | 103 | | 27,000 | 724 | | 59,000 | 1581 | ----- | ----- | ----- | ----- | ----- | ----- | | |
| | 150 | 10.3 | | 125 | 8.62 | | 2500 | 67 | 5000 | 134 | 8100 | 217 | 12,000 | 322 | 20,000 | 536 |
| | 200 | 13.8 | | | | | 3600 | 96 | 7400 | 198 | 11,000 | 295 | 19,000 | 509 | 30,000 | 804 |
| | 300 | 20.7 | | | | | 5300 | 142 | 11,000 | 295 | 17,000 | 456 | 31,000 | 831 | 48,000 | 1286 |
| 400 | 27.6 | 7000 | 188 | | | 15,000 | 402 | 24,000 | 643 | 43,000 | 1152 | 65,000 | 1742 | | | |
| 500 | 34.5 | 8800 | 236 | | | 19,000 | 509 | 30,000 | 804 | 59,000 | 1581 | ----- | ----- | | | |
| 1000 | 69.0 | 17,000 | 456 | | | 39,000 | 1045 | 69,300 | 1857 | ----- | ----- | ----- | ----- | | | |
| 1500 | 103 | 27,000 | 724 | | | 60,000 | 1608 | ----- | ----- | ----- | ----- | ----- | ----- | | | |
| 200 | 13.8 | 150 | 10.3 | | | 3500 | 94 | 7300 | 196 | 11,000 | 295 | 18,000 | 482 | 30,000 | 804 | |
| 300 | 20.7 | | | | | 5400 | 145 | 11,000 | 295 | 19,000 | 509 | 32,000 | 858 | 52,000 | 1394 | |
| 400 | 27.6 | | | | | 7200 | 193 | 15,000 | 402 | 26,000 | 697 | 46,000 | 1233 | 77,000 | 2064 | |
| 500 | 34.5 | | | 8600 | 230 | 19,800 | 531 | 32,800 | 879 | 62,500 | 1675 | ----- | ----- | | | |
| 800 | 55.2 | | | 14,000 | 375 | 30,000 | 804 | 54,000 | 1447 | ----- | ----- | ----- | ----- | | | |
| 1000 | 69.0 | | | 18,000 | 482 | 39,100 | 1048 | 67,700 | 1814 | ----- | ----- | ----- | ----- | | | |
| 1500 | 103 | | | 27,000 | 724 | 60,000 | 1608 | ----- | ----- | ----- | ----- | ----- | ----- | | | |
| 150 to 200 psig / 10.3 to 13.8 bar 0Y066427022 Green Stripe | 200 | | | 13.8 | 150 | 10.3 | 3500 | 94 | 6900 | 185 | 10,000 | 268 | 17,000 | 456 | 28,000 | 750 |
| | 300 | | | 20.7 | | | 5400 | 145 | 11,000 | 295 | 17,000 | 456 | 28,000 | 750 | 47,000 | 1260 |
| | 400 | | | 27.6 | | | 7200 | 193 | 15,000 | 402 | 24,000 | 643 | 40,000 | 1072 | 66,000 | 1769 |
| | 500 | 34.5 | 8500 | 228 | | | 18,300 | 490 | 30,250 | 811 | 53,000 | 1420 | ----- | ----- | | |
| | 800 | 55.2 | 14,000 | 375 | | | 30,000 | 804 | 51,000 | 1367 | ----- | ----- | ----- | ----- | | |
| | 1000 | 69.0 | 17,400 | 466 | | | 38,600 | 1034 | 66,400 | 1780 | ----- | ----- | ----- | ----- | | |
| | 1500 | 103 | 27,000 | 724 | | | 60,000 | 1608 | ----- | ----- | ----- | ----- | ----- | ----- | | |

- continued -

Bulletin 71.1:630

Table 4. 2-Inch / DN 50 Body Capacities (Based on 20% Droop) (continued)

| | OUTLET PRESSURE RANGE, SPRING PART NUMBER, AND COLOR | INLET PRESSURE | | OUTLET PRESSURE | | 2-INCH / DN 50 BODY CAPACITIES IN SCFH / Nm ³ /h OF 0.6 SPECIFIC GRAVITY OF NATURAL GAS | | | | | | | | | | |
|----------------------------------------------------------------------------|---------------------------------------------------------------------------|----------------|--------|-----------------|--------|----------------------------------------------------------------------------------------------------|--------------------|------------|--------------------|-----------|--------------------|-----------|--------------------|----------|--------------------|------|
| | | | | | | Orifice Size, Inches / mm | | | | | | | | | | |
| | | psig | bar | psig | bar | 1/8 / 3.2 | | 3/16 / 4.8 | | 1/4 / 6.4 | | 3/8 / 9.5 | | 1/2 / 13 | | |
| | | | | | | SCFH | Nm ³ /h | SCFH | Nm ³ /h | SCFH | Nm ³ /h | SCFH | Nm ³ /h | SCFH | Nm ³ /h | |
| HIGH PRESSURE | 150 to 200 psig / 10.3 to 13.8 bar 0Y066427022 Green Stripe | 250 | 17.2 | 200 | 13.8 | 4300 | 115 | 9100 | 244 | 13,000 | 348 | 23,000 | 616 | 42,000 | 1126 | |
| | | 300 | 20.7 | | | 5300 | 142 | 11,000 | 295 | 18,000 | 482 | 33,000 | 884 | 52,000 | 1394 | |
| | | 600 | 41.4 | | | 10,000 | 268 | 23,000 | 616 | 40,000 | 1072 | 75,000 | 2010 | ---- | ---- | |
| | | 700 | 48.3 | | | 12,000 | 322 | 27,000 | 724 | 47,000 | 1260 | 90,000 | 2412 | ---- | ---- | |
| | | 800 | 55.2 | | | 14,000 | 375 | 31,000 | 831 | 54,000 | 1447 | ---- | ---- | ---- | ---- | |
| | | 1000 | 69.0 | | | 17,000 | 456 | 39,000 | 1045 | 69,000 | 1849 | ---- | ---- | ---- | ---- | |
| | | 1200 | 82.7 | | | 21,000 | 563 | 48,000 | 1286 | 83,000 | 2224 | ---- | ---- | ---- | ---- | |
| | | 1500 | 103 | | | 27,000 | 724 | 60,000 | 1608 | ---- | ---- | ---- | ---- | ---- | ---- | |
| | 150 to 275 psig / 10.3 to 19.0 bar 1J146927142 Blue Stripe | 250 | 17.2 | 200 | 13.8 | 4300 | 115 | 8900 | 239 | 12,000 | 322 | 23,000 | 616 | 35,000 | 938 | |
| | | 300 | 20.7 | | | 5300 | 142 | 11,000 | 295 | 18,000 | 482 | 31,000 | 831 | 46,000 | 1233 | |
| | | 600 | 41.4 | | | 10,000 | 268 | 23,000 | 616 | 38,000 | 1018 | 70,000 | 1876 | ---- | ---- | |
| | | 700 | 48.3 | | | 12,000 | 322 | 27,000 | 724 | 45,000 | 1206 | 83,000 | 2224 | ---- | ---- | |
| | | 800 | 55.2 | 250 | 17.2 | 14,000 | 375 | 31,000 | 831 | 52,000 | 1394 | ---- | ---- | ---- | ---- | |
| | | 1000 | 69.0 | | | 17,000 | 456 | 39,000 | 1045 | 68,000 | 1822 | ---- | ---- | ---- | ---- | |
| | | 1200 | 82.7 | | | 20,000 | 536 | 46,000 | 1233 | 83,000 | 2224 | ---- | ---- | ---- | ---- | |
| | | 1500 | 103 | | | 27,000 | 724 | 60,000 | 1608 | ---- | ---- | ---- | ---- | ---- | ---- | |
| | | 300 | 20.7 | 250 | 17.2 | 5000 | 134 | 10,000 | 268 | 17,000 | 456 | 30,000 | 804 | 52,000 | 1394 | |
| | | 400 | 27.6 | | | 7100 | 190 | 15,000 | 402 | 25,000 | 670 | 47,000 | 1260 | 76,000 | 2037 | |
| | | 500 | 34.5 | | | 8600 | 230 | 19,000 | 509 | 34,000 | 911 | 62,000 | 1662 | 103,000 | 2760 | |
| | | 600 | 41.4 | | | 10,000 | 268 | 23,000 | 616 | 41,000 | 1099 | 78,000 | 2090 | ---- | ---- | |
| | 1000 | 69.0 | 275 | 19.0 | 17,000 | 456 | 40,000 | 1072 | 68,000 | 1822 | ---- | ---- | ---- | ---- | | |
| | 1500 | 103 | | | 27,000 | 724 | 60,000 | 1608 | ---- | ---- | ---- | ---- | ---- | ---- | | |
| | 300 | 20.7 | | | 275 | 19.0 | 4800 | 129 | 10,000 | 268 | 17,000 | 456 | 29,000 | 777 | 43,000 | 1152 |
| | 400 | 27.6 | | | | | 7000 | 188 | 15,000 | 402 | 26,000 | 697 | 47,000 | 1260 | 73,000 | 1956 |
| 600 | 41.4 | 10,000 | 268 | 23,000 | | | 616 | 40,800 | 1093 | 81,900 | 2195 | ---- | ---- | | | |
| 1000 | 69.0 | 17,000 | 456 | 40,000 | | | 1072 | 68,000 | 1822 | ---- | ---- | ---- | ---- | | | |
| 1500 | 103 | 26,000 | 697 | 61,000 | 1635 | ---- | ---- | ---- | ---- | ---- | ---- | | | | | |
| 275 to 500 psig / 19.0 to 34.5 bar 1K370927082 Yellow Stripe | 300 | 20.7 | 275 | 19.0 | 4600 | 123 | 8400 | 225 | 13,000 | 348 | 23,000 | 616 | 37,000 | 992 | | |
| | 400 | 27.6 | | | 7000 | 188 | 13,000 | 348 | 20,000 | 536 | 32,000 | 858 | 53,000 | 1420 | | |
| | 600 | 41.4 | | | 10,000 | 268 | 23,000 | 616 | 40,800 | 1093 | 81,900 | 2195 | ---- | ---- | | |
| | 1000 | 69.0 | | | 18,000 | 482 | 37,000 | 992 | 57,000 | 1528 | ---- | ---- | ---- | ---- | | |
| | 1500 | 103 | | | 27,000 | 724 | 57,000 | 1528 | ---- | ---- | ---- | ---- | ---- | ---- | | |
| | 400 | 27.6 | 300 | 20.7 | 7000 | 188 | 13,000 | 348 | 21,000 | 563 | 35,000 | 938 | 54,000 | 1447 | | |
| | 600 | 41.4 | | | 10,000 | 268 | 21,000 | 563 | 34,000 | 911 | 59,000 | 1581 | ---- | ---- | | |
| | 700 | 48.3 | | | 12,000 | 322 | 26,000 | 697 | 40,000 | 1072 | 72,000 | 1930 | ---- | ---- | | |
| | 800 | 55.2 | | | 14,000 | 375 | 29,000 | 777 | 47,000 | 1260 | 81,000 | 2171 | ---- | ---- | | |
| | 1000 | 69.0 | | | 15,800 | 423 | 33,200 | 890 | 53,600 | 1436 | ---- | ---- | ---- | ---- | | |
| | 1300 | 89.6 | 23,000 | 616 | 50,000 | 1340 | 80,000 | 2144 | ---- | ---- | ---- | ---- | | | | |
| | 1500 | 103 | 27,000 | 724 | 58,000 | 1554 | ---- | ---- | ---- | ---- | ---- | ---- | | | | |
| | 500 | 34.5 | 400 | 27.6 | 8800 | 236 | 17,000 | 456 | 28,000 | 750 | 49,000 | 1313 | 77,000 | 2064 | | |
| | 600 | 41.4 | | | 10,300 | 276 | 22,300 | 598 | 36,000 | 965 | 66,300 | 1777 | 100,300 | 2688 | | |
| 800 | 55.2 | 14,000 | | | 375 | 31,000 | 831 | 51,000 | 1367 | 95,000 | 2546 | ---- | ---- | | | |
| 900 | 62.1 | 16,000 | | | 429 | 36,000 | 965 | 58,000 | 1554 | 110,000 | 2948 | ---- | ---- | | | |
| 1000 | 69.0 | 18,000 | | | 482 | 40,000 | 1072 | 66,000 | 1769 | ---- | ---- | ---- | ---- | | | |
| 1200 | 82.7 | 500 | 34.5 | 21,000 | 563 | 48,000 | 1286 | 80,000 | 2144 | ---- | ---- | ---- | ---- | | | |
| 1400 | 96.5 | | | 25,000 | 670 | 57,000 | 1528 | 96,000 | 2573 | ---- | ---- | ---- | ---- | | | |
| 1500 | 103 | | | 27,000 | 724 | 61,000 | 1635 | ---- | ---- | ---- | ---- | ---- | ---- | | | |
| 550 | 37.9 | 500 | 34.5 | 9000 | 241 | 18,000 | 482 | 30,000 | 804 | 53,000 | 1420 | 89,000 | 2385 | | | |
| 600 | 41.4 | | | 10,000 | 268 | 20,800 | 557 | 34,500 | 925 | 62,300 | 1670 | 102,000 | 2734 | | | |
| 900 | 62.1 | | | 16,000 | 429 | 35,000 | 938 | 60,000 | 1608 | 113,000 | 3028 | ---- | ---- | | | |
| 1000 | 69.0 | | | 18,000 | 482 | 40,000 | 1072 | 67,000 | 1796 | 130,000 | 3484 | ---- | ---- | | | |
| 1500 | 103 | | | 27,000 | 724 | 60,000 | 1608 | 82,000 | 2198 | ---- | ---- | ---- | ---- | | | |



0X0541
AV1663
A5607

Figure 4. NPT Dimensions

Table 5. NPT Dimensions

| BODY SIZE | | NPT DIMENSIONS | | | | | | | | | | | |
|-------------------------|----|----------------|-----|--------|-----|--------|-----|--------|-----|--------|----|--------|-----|
| | | A | | B | | C | | D | | E | | F | |
| Low-Pressure Regulator | | | | | | | | | | | | | |
| INCH | DN | Inches | mm | Inches | mm | Inches | mm | Inches | mm | Inches | mm | Inches | mm |
| 1 | 25 | 7.38 | 187 | 3.69 | 94 | 7.19 | 183 | 10.31 | 262 | 1.38 | 35 | 15.88 | 403 |
| 2 | 50 | 7.88 | 200 | 3.94 | 100 | 7.19 | 183 | 10.94 | 278 | 2.00 | 51 | 16.38 | 416 |
| High-Pressure Regulator | | | | | | | | | | | | | |
| 1 | 25 | 7.38 | 187 | 3.69 | 94 | 4.69 | 119 | 7.81 | 198 | 1.38 | 35 | 15.88 | 403 |
| 2 | 50 | 7.88 | 200 | 3.94 | 100 | 4.69 | 119 | 8.44 | 214 | 2.00 | 51 | 16.38 | 416 |

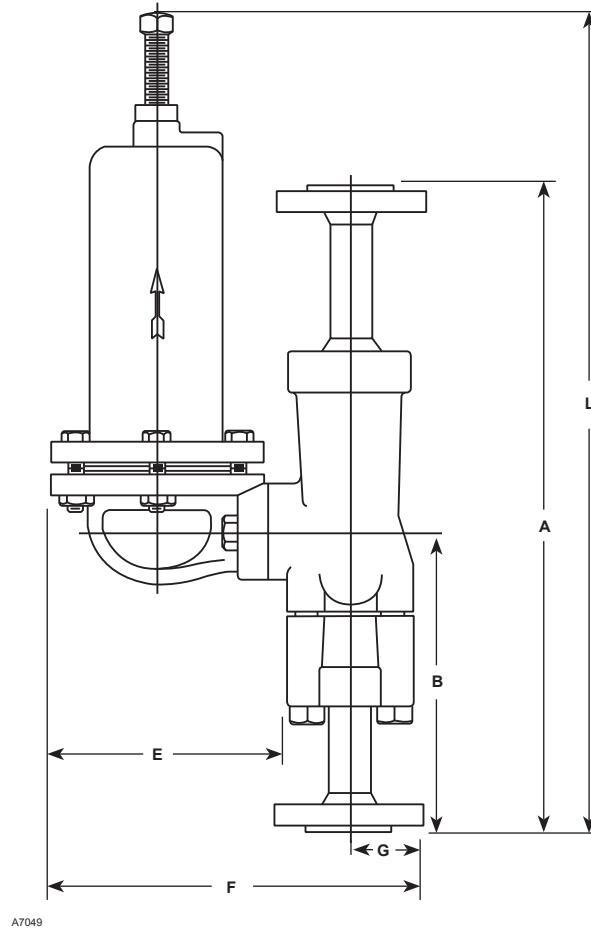


Figure 5. Flanged Dimensions

Table 6. Flanged Dimensions

| BODY SIZE | | FLANGED DIMENSIONS | | | | | | | | | | | | | | | |
|--------------------------------|----|--------------------|-----|--------|-----|--------|-----|--------|-----|-----------------|-----|--------|------|-----------------|------|--------|-----|
| | | A | | B | | E | | F | | | | G | | | | L | |
| | | | | | | | | CL150 | | CL300 and CL600 | | CL150 | | CL300 and CL600 | | | |
| Low-Pressure Regulator | | | | | | | | | | | | | | | | | |
| INCH | DN | Inches | mm | Inches | mm | Inches | mm | Inches | mm | Inches | mm | Inches | mm | Inches | mm | Inches | mm |
| 1 | 25 | 17.9 | 455 | 8 | 203 | 7.2 | 183 | 11.1 | 282 | 11.4 | 290 | 2.1 | 53.3 | 2.4 | 61.0 | 20.7 | 526 |
| 2 | 50 | 19.9 | 505 | 9 | 229 | 7.2 | 183 | 11.9 | 302 | 12.2 | 310 | 3.0 | 76.2 | 3.3 | 83.8 | 21.9 | 556 |
| High-Pressure Regulator | | | | | | | | | | | | | | | | | |
| 1 | 25 | 17.9 | 455 | 8 | 203 | 4.7 | 119 | 8.6 | 218 | 8.9 | 226 | 2.1 | 53.3 | 2.4 | 61.0 | 21.2 | 538 |
| 2 | 50 | 19.9 | 505 | 11.2 | 284 | 4.7 | 119 | 9.4 | 239 | 9.7 | 246 | 3.0 | 76.2 | 3.3 | 83.8 | 21.4 | 544 |

Ordering Information

Then, carefully review each specification and complete the Ordering Guide below. To ensure ordering accuracy, please complete the Specifications Worksheet at the bottom of this page.

Ordering Guide

Body Size (Select One)

- 1-Inch / DN 25^{***}
- 2-Inch / DN 50^{***}

Body Material and End Connection Style (Select One)

Steel

- CL150 RF^{**}
- CL150 RF^{**}
- CL300 RF^{**}
- CL600 RF^{**}

Cast Iron

- NPT^{***}

Trim Material (Select One)

- Brass^{***}
- Stainless steel^{**}

Disk and Holder Material (Select One)

- Nitrile (NBR) and brass^{***}
- Nitrile (NBR) and stainless steel^{*}
- Nylon (PA) and brass^{**}
- Nylon (PA) and stainless steel^{*}

Orifice Material (Select One)

- Brass^{***}
- Stainless steel^{*}

Orifice Size (Select One)

- 1/8-inch / 3.2 mm^{**}
- 3/16-inch / 4.8 mm^{**}
- 1/4-inch / 6.4 mm^{**}
- 3/8-inch / 9.5 mm^{**}
- 1/2-inch / 13 mm^{**}

Outlet Pressure Range (Select One)

- 3 to 10 psig / 0.21 to 0.69 bar, Red stripe^{**}
- 8 to 20 psig / 0.55 to 1.4 bar, Olive green^{**}
- 17 to 30 psig / 1.17 to 2.1 bar, Unpainted^{**}
- 27 to 40 psig / 1.9 to 2.8 bar, Green stripe^{**}
- 27 to 50 psig / 1.9 to 3.4 bar, Red stripe^{**}
- 46 to 95 psig / 3.2 to 6.6 bar, Olive green^{**}
- 90 to 150 psig / 6.2 to 10.3 bar, Unpainted^{**}
- 150 to 200 psig / 10.3 to 13.8 bar, Green stripe^{**}
- 200 to 275 psig / 13.8 to 19.0 bar, Blue stripe^{**}
- 275 to 500 psig / 19.0 to 34.5 bar, Yellow stripe^{**}

Replacement Parts Kit (Optional)

- Yes, send one replacement parts kit to match this order.

| Regulators Quick Order Guide | |
|-----------------------------------------------------------------------------------------------------------------------------------------|------------------------------------------------------------------------------------------------------|
| *** | Readily Available for Shipment |
| ** | Allow Additional Time for Shipment |
| * | Special Order, Constructed from Non-Stocked Parts. Consult your local Sales Office for Availability. |
| Availability of the product being ordered is determined by the component with the longest shipping time for the requested construction. | |

Specification Worksheet

Application (Please designate units):
 Specific Use _____
 Line Size _____
 Gas Type and Specific Gravity _____
 Gas Temperature _____

Does the Application Require Overpressure Protection?
 Yes No If yes, which is preferred:
 Relief Valve Monitor Regulator Shutoff Device

Is overpressure protection equipment selection assistance desired? _____

Pressure:
 Maximum Inlet Pressure (P_{1max}) _____
 Minimum Inlet Pressure (P_{1min}) _____
 Downstream Pressure Setting(s) (P_2) _____
 Maximum Flow (Q_{max}) _____

Performance Required:
 Accuracy Requirements? _____
 Need for Extremely Fast Response? _____

Other Requirements: _____

Industrial Regulators

Emerson Process Management Regulator Technologies, Inc.

USA - Headquarters
McKinney, Texas 75069-1872, USA
Tel: +1 800 558 5853
Outside U.S. +1 972 548 3574

Asia-Pacific
Shanghai 201206, China
Tel: +86 21 2892 9000

Europe
Bologna 40013, Italy
Tel: +39 051 419 0611

Middle East and Africa
Dubai, United Arab Emirates
Tel: +971 4811 8100

Natural Gas Technologies

Emerson Process Management Regulator Technologies, Inc.

USA - Headquarters
McKinney, Texas 75069-1872, USA
Tel: +1 800 558 5853
Outside U.S. +1 972 548 3574

Asia-Pacific
Singapore 128461, Singapore
Tel: +65 6770 8337

Europe
Bologna 40013, Italy
Tel: +39 051 419 0611
Chartres 28008, France
Tel: +33 2 37 33 47 00

TESCOM

Emerson Process Management Tescom Corporation

USA - Headquarters
Elk River, Minnesota 55330-2445, USA
Tels: +1 763 241 3238
+1 800 447 1250

Europe
Selmsdorf 23923, Germany
Tel: +49 38823 31 287

Asia-Pacific
Shanghai 201206, China
Tel: +86 21 2892 9499

For further information visit www.fisherregulators.com

The Emerson logo is a trademark and service mark of Emerson Electric Co. All other marks are the property of their prospective owners. Fisher is a mark owned by Fisher Controls International LLC, a business of Emerson Process Management.

The contents of this publication are presented for informational purposes only, and while every effort has been made to ensure their accuracy, they are not to be construed as warranties or guarantees, express or implied, regarding the products or services described herein or their use or applicability. We reserve the right to modify or improve the designs or specifications of such products at any time without notice.

Emerson Process Management Regulator Technologies, Inc. does not assume responsibility for the selection, use or maintenance of any product. Responsibility for proper selection, use and maintenance of any Emerson Process Management Regulator Technologies, Inc. product remains solely with the purchaser.