

# SJS Series

## Regulators - Pressure Reducing

DSJSX1904X012

### Specifications

For other materials or modifications, please consult TESCOM.

#### OPERATING PARAMETERS

Pressure rating per criteria of ANSI/ASME B31.3

**Maximum Inlet Pressure**

500 psig / 34.5 bar

**Maximum Reference Pressure**

400 psig / 27.6 bar

**Maximum Outlet Pressure - Bias and Reference**

500 psig / 34.5 bar

**Bias Pressure Range**

0-100 psig / 0-6.9 bar

**Design Outlet Proof Pressure**

150% of maximum rated

**Operating Temperature**

-40°F to 165°F / -40°C to 74°C

**Leakage**

**Internal:** Bubble-tight

**External:** design to meet  $< 2 \times 10^{-8}$  atm cc/sec He

**Flow Capacity**

$C_v = 0.12$

#### MEDIA CONTACT MATERIALS

**Body**

316 Stainless Steel

**Seats**

**Pressure Reducing:** Teflon®

**Backpressure:** Vespel®

**Friction Sleeve**

**Inner:** Teflon®

**Outer:** 316 Stainless Steel

**Diaphragms**

Elgiloy®

**Remaining Parts**

316 Stainless Steel

#### OTHER

**Connections**

1/4" NPTF inlet, outlet, and vent ports

**Weight (without gauges)**

2 lbs / 0.9 kg

Teflon®, Viton®, Kalrez®, and Vespel® are registered trademarks of E.I. du Pont de Nemours and Company.

Elgiloy® is a registered trademark of Elgiloy Corp.



SJS REGULATOR SHOWN WITH THE 42MW WELDED DIAPHRAGM INSTRUMENT ISOLATOR (OPTIONAL)

TESCOM SJS Series is excellent for use on dual mechanical pump seal systems to help control fugitive emissions, prolong seal life, increase safety, and reduce seal maintenance costs. The SJS is commonly used with the 42MW Series instrument isolator.

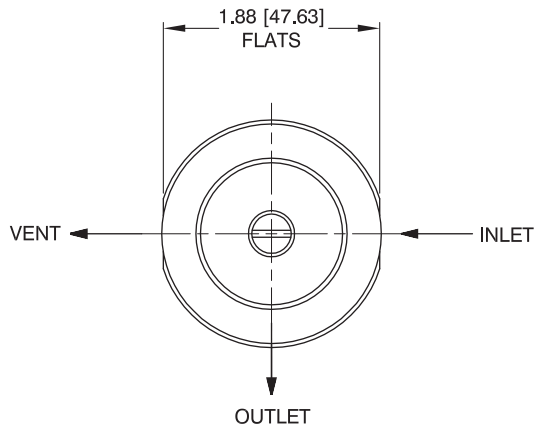
### Application

- Dual mechanical seal differential pressure control

### Features and Benefits

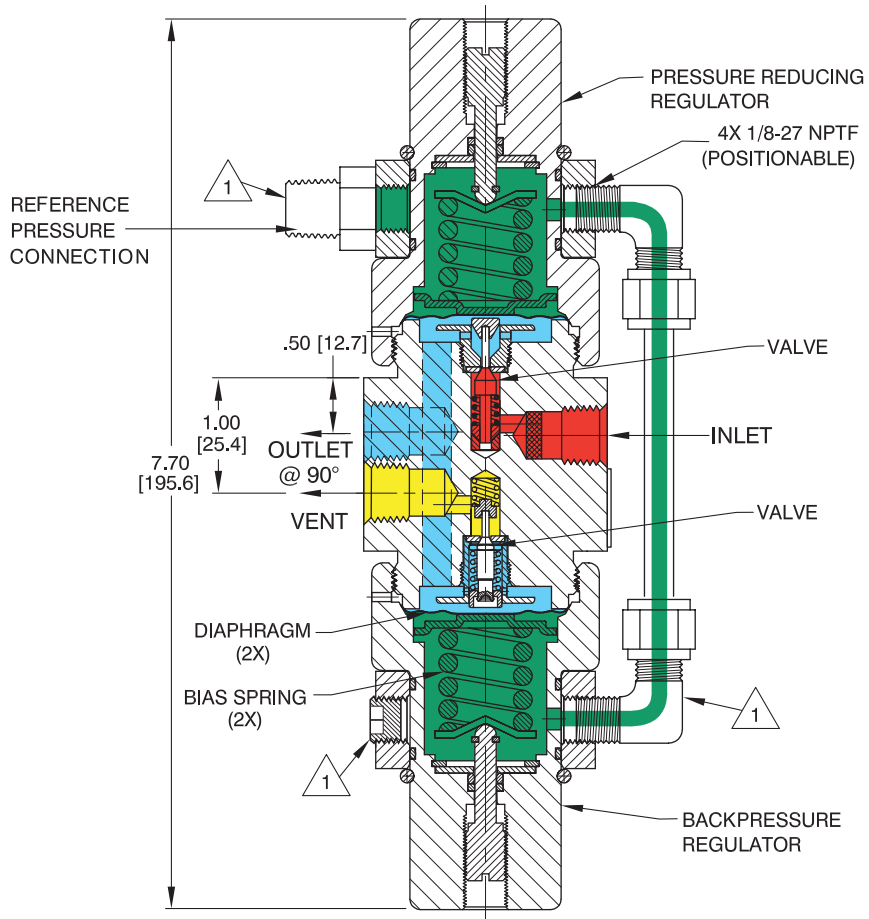
- Maintains accurate differential pressure when incorporated into a double seal system
- Tracks upsets in system pressure and decreases downtime by increasing seal life
- NACE compatible version available: Modification number -01
- Available with optional 42MW Welded Diaphragm Instrument Isolator

SJS Series Regulator Drawing



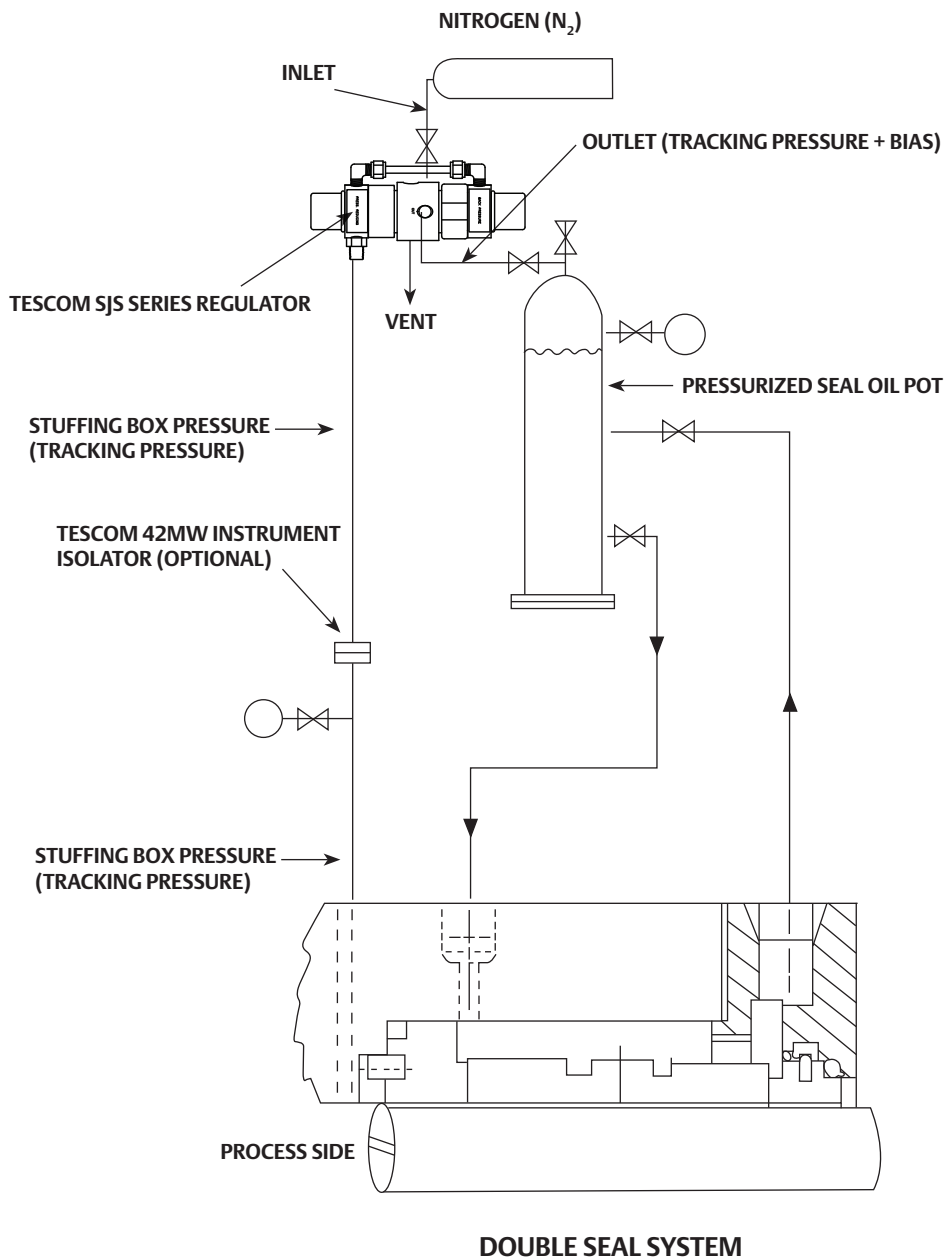
NOTE:

1 INCLUDED WITH FITTING OPTION



All dimensions are reference and nominal  
Metric [millimeter] equivalents are in brackets


SJS Series Typical Application



## SJS Series Regulator Part Number Selector

Repair Kits, Accessories & Modifications may be available for this product. Please contact TESCOM for more information.

Example for selecting a part number:

SJ	S	6	5	V	E	A	O	E	FFF
BASIC SERIES	TYPE	BODY MATERIAL	OUTLET PRESSURE	O-RING MATERIAL	DIAPHRAGM MATERIAL	SEAT MATERIAL	FITTINGS OPTION	PORTING	INLET, VENT, AND OUTLET PORT TYPE
SJ	S – Screwdriver Adjustment	6 – 316 Stainless Steel	5 – 500 psig 34.5 bar Max. (Bias + Ref. Pressure)	E – Ethylene Propylene K – Kalrez® V – Viton-A®	E – Elgiloy®	A – Pressure Reducing: Teflon® Backpressure: Vespel®  B – Pressure Reducing: Teflon® Backpressure: Teflon®	O – No fittings F – Fittings	E – 90° Vent 	FFF – 1/4" NPTF



**WARNING!** Do not attempt to select, install, use or maintain this product until you have read and fully understood the *TESCOM Safety, Installation and Operation Precautions*.

DSJSX1904X012 © 2012 Emerson Process Management Regulator Technologies, Inc. All rights reserved. 05/2012.  
Tescom, Emerson Process Management, and the Emerson Process Management design are marks of one of the Emerson Process Management group of companies. All other marks are the property of their respective owners.