

# Fisher™ 1079 Declutchable Manual Actuator

## Contents

Introduction .....	1
Scope of Manual .....	1
Description .....	2
Specifications .....	2
Educational Services .....	2
Installation .....	3
Installing the Manual Actuator .....	4
Operation .....	5
Engaging and Disengaging the Manual Actuator ..	5
Engaging the Manual Actuator .....	5
Disengaging the Manual Actuator .....	5
Maintenance .....	6
Lubrication .....	10
Parts Ordering .....	11
Parts List .....	11
Manual Actuator Assembly .....	11

Figure 1. Fisher 1079 Manual Actuator Mounted on a Hytork Actuator and A41 Double D Valve



## Introduction

### Scope of Manual

This instruction manual includes installation, operation, and maintenance information for the Fisher 1079 declutchable manual actuator. Refer to separate instruction manuals for instructions covering the Hytork actuator and the control valve.

Do not install, operate, or maintain a 1079 manual actuator without being fully trained and qualified in valve, actuator, and accessory installation, operation, and maintenance. To avoid personal injury or property damage, it is important to carefully read, understand, and follow all the contents of this manual, including all safety cautions and warnings. If you have any questions about these instructions, contact your [Emerson sales office](#) or Local Business Partner before proceeding.

Table 1. Specifications

<p><b>Available Configurations</b> Direct acting; see Handwheel Rotation</p> <p><b>Manual Actuator Sizes</b> See tables 2, 3, and 4</p> <p><b>Power Actuator Compatibility</b> Compatible with all sizes of Hytork actuator; see tables 2, 3, and 4</p> <p><b>Maximum Torque Output</b> See tables 2, 3, and 4</p> <p><b>Wheel-Rim Force</b> See tables 2, 3, and 4</p> <p><b>Handwheel Rotation</b> Clockwise handwheel rotation closes valve (produces clockwise valve shaft rotation; as viewed from the actuator end of the shaft)</p>	<p><b>Standard Mounting Positions (see figure 2)</b></p> <ul style="list-style-type: none"> <li>■ Standard mounting is with the input shaft perpendicular to the Hytork piston travel, with the handwheel opposite the actuator supply connections;</li> <li>■ Optional mounting is with the handwheel on the same side as the Hytork actuator supply connections.</li> </ul> <p><b>Approximate Weight without Handwheel</b></p> <p>Size AAA: 7.3 kg (16 lb) Size AA: 10 kg (22 lb) Size A: 14 kg (31 lb) Size B: 16 kg (35 lb) Size C: 24 kg (52 lb) Size D: 33 kg (72 lb)</p> <p><b>Handwheel Weight</b></p> <p>6-inch: 1.0 kg (2.25 lb) 8-inch: 2.0 kg (4.50 lb) 12-inch: 4.0 kg (8.75 lb) 24-inch: 5.4 kg (12.00 lb) 30-inch: 6.7 kg (14.75 lb) 36-inch: 7.8 kg (17.25 lb)</p>
--	--

## Description

The 1079 manual actuator, shown in figure 1, is a declutchable unit for manual operation of keyed or square shaft control valves and equipment that use a Hytork actuator. The 1079 manual actuator mounts directly on the Hytork actuator and can be engaged to allow manual operation of the valve when the power actuator is not in use or disengaged to allow automatic operation of the valve by the power actuator. The mechanism used allows manual actuator engagement at any point of power actuator rotation.

## Specifications

The 1079 manual actuator specifications are given in table 1.

## Educational Services

For information on available courses for 1079 manual actuators, as well as a variety of other products, contact:

Emerson Automation Solutions  
Educational Services - Registration  
Phone: 1-641-754-3771 or 1-800-338-8158  
E-mail: [education@emerson.com](mailto:education@emerson.com)  
[emerson.com/fishervalvetraining](http://emerson.com/fishervalvetraining)

## Installation

### ⚠ WARNING

Always wear protective gloves, clothing, and eyewear when performing any installation operations.

To avoid personal injury or property damage resulting from the sudden release of pressure, do not install the valve assembly where service conditions could exceed the limits given on the valve and actuator nameplates. Use pressure-relieving devices as required by accepted industry, local, state, or Federal codes, and good engineering practices.

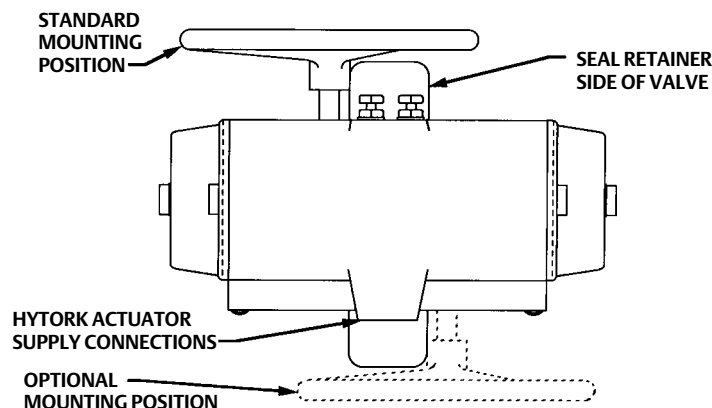
Check with your process or safety engineer for any other hazards that may be present from exposure to process media.

If installing into an existing application, also refer to the WARNING at the beginning of the Maintenance section in this instruction manual.

The 1079 manual actuator is normally shipped mounted on the Hytork actuator. If the manual actuator is shipped separately for installation on the Hytork actuator, or if the manual actuator was removed for maintenance, mount the manual actuator by following the instructions in this section.

Field conversion of the Hytork actuator for use with the 1079 manual actuator requires fastening a mounting plate, included with the manual actuator, to the Hytork actuator. The 1079 actuator is installed between the valve and the Hytork actuator. Figure 2 shows the manual actuator standard and optional mounting positions. Typically the manual actuator is mounted with the input shaft perpendicular to the power actuator piston travel. However, the manual actuator can be mounted in any of four positions, provided there is sufficient clearance between the handwheel and the power actuator end caps. Fasten the mounting plate to the power actuator with the four mounting bolts provided with the manual actuator. Do not exceed the torque values given in table 5.

Figure 2. Fisher 1079 Actuator Mounting Positions



AG186

## Installing the Manual Actuator

### **⚠ WARNING**

Refer to the **WARNING** at the beginning of the Maintenance section in this instruction manual.

### **CAUTION**

**Undertravel or overtravel of the valve disk, especially at the closed position, may result in poor valve performance and/or damage to the equipment. Make certain that the power actuator travel stops are properly set before installing and adjusting the manual actuator. Refer to the instruction manuals for the valve and the power actuator for information about setting travel stops.**

1. Isolate the control valve from the line pressure, release pressure from both sides of the valve body, and drain the process media from both sides of the valve. Also shut off all pressure lines to the power actuator and release all pressure from the power actuator. Use lock-out procedures to be sure that the above measures stay in effect while you work on the equipment.
2. Make certain that the power actuator travel stops have been properly set.
3. For spring-return power actuators, allow the power actuator to remain in the position where the spring is relaxed. For double-acting power actuators, apply supply pressure as appropriate to position the valve disk in either the open or closed position.
4. Note whether the valve disk is in the open or closed position.
5. Engage the handwheel on the manual actuator. See the Engaging and Disengaging the Manual Actuator section in this manual for instructions. Perform one or the other of the following procedures.
  - If the valve disk is in the closed position: Rotate the handwheel clockwise until it stops.
  - If the valve disk is in the open position: Rotate the handwheel counterclockwise until it stops.
6. Disengage the manual actuator.
7. Slide the manual actuator shaft into the power actuator.
8. Rotate either the manual actuator or the power actuator slightly so that the mounting holes on the manual actuator align with the mounting holes in the mounting plate on the power actuator.
9. Fasten the manual actuator to the power actuator with the bolts, lockwashers, and nuts provided.
10. Install the power actuator and manual actuator assembly on the valve as described in the installation section of the power actuator instruction manual.

## Operation

After the actuator and control valve assembly are installed, the manual actuator is ready for operation.

### CAUTION

**Applying too much torque to the actuator and valve parts could cause damage to the parts. To avoid such damage, do not exceed the maximum allowable torques listed in table 2, 3, or 4 or any other torque limitation of internal valve parts. Also, do not use wrenches or other devices on the handwheel or handwheel shaft to increase operating force.**

If the force required to rotate the handwheel exceeds the wheel-rim force listed in table 2, 3, or 4, refer to the maintenance procedures.

## Engaging and Disengaging the Manual Actuator

### ▲ WARNING

**Refer to the WARNING at the beginning of the Maintenance section in this instruction manual.**

### Engaging the Manual Actuator

1. Shut off supply pressure to the power actuator.
2. Pull the ring on the detent mechanism to unlock the lever. Move the lever into the engaged position until it is against the stop pin and locked in position by the detent mechanism.
3. If applicable, open the power actuator bypass valve.

### Disengaging the Manual Actuator

### CAUTION

**Disengaging the manual actuator when forces such as spring compression, cylinder pressure, and dynamic torque are present may cause sudden, extreme movement of all control valve components. This can result in damage to equipment and violent disturbance of the process. Before disengaging the manual actuator, approximate system balance should be achieved. Take appropriate steps to ensure that the return to automatic operation will not result in a extreme repositioning of control valve components.**

1. Before disengaging the manual actuator, approximate system balance should be achieved. The system is in balance when the actual valve disk position is approximately the same as the position requested by the automatic control system. Under balanced system conditions, the manual actuator disengaging lever moves freely without use of excessive force. If after releasing the detent mechanism, the lever does not move freely toward the disengaged position, some system force is causing an imbalance. A forced return to automatic operation under these conditions can cause serious damage to the equipment and violent disturbance of the process.

2. If possible, determine whether the automatic control system is tending to open or close the valve disk, and rotate the handwheel in the appropriate direction until friction in the manual operator is reduced and the lever can be easily moved by hand. As an alternate approach, local manipulation of the supply pressure to the power actuator may bring the set point of the automatic system closer to the actual valve disk position.
3. If a smooth transition from manual to automatic operation cannot be ensured, isolate the valve from the process. Position the manual actuator so that it matches the position of the disk when no supply pressure is applied to the power actuator.
4. Pull the ring on the detent mechanism to unlock the lever. Push the lever into the disengaged position until it is against the stop pin and locked in position by the detent mechanism.
5. Close the bypass valve and return supply pressure to the power actuator.

## Maintenance

### **⚠ WARNING**

**Avoid personal injury from sudden release of process pressure or bursting of parts. Before performing any maintenance operations:**

- Do not remove the actuator from the valve while the valve is still pressurized.
- Always wear protective gloves, clothing, and eyewear when performing any maintenance operations to avoid personal injury.
- Disconnect any operating lines providing air pressure, electric power, or a control signal to the power actuator. Be sure the actuator cannot suddenly open or close the valve.
- Use bypass valves or completely shut off the process to isolate the valve from process pressure. Relieve process pressure from both sides of the valve. Drain the process media from both sides of the valve.
- Vent the power actuator loading pressure and relieve any actuator spring precompression.
- Use lock-out procedures to be sure that the above measures stay in effect while you work on the equipment.
- The valve packing box may contain process fluids that are pressurized, *even when the valve has been removed from the pipeline*. Process fluids may spray out under pressure when removing the packing hardware or packing rings, or when loosening the packing box pipe plug.
- Check with your process or safety engineer for any additional measures that must be taken to protect against process media.

If the force required to rotate the handwheel exceeds the wheel-rim force listed in table 2, 3, or 4, check for the following conditions:

- Insufficient lubrication
- Seized actuator parts
- Excessive pressure drop across the valve, or
- Obstruction to the valve disk rotation.

If the manual actuator does not seem to control the process fluid, the worm or drive sleeve gear teeth may be broken, the handwheel pin may be sheared, or the internal power actuator or valve parts may be broken. Purchase a replacement manual actuator if necessary. Refer to the power actuator and valve instruction manuals if power actuator or valve maintenance is needed.

Table 2. Actuator Size Selection and Specifications for Keyed Shaft Valves (Model A31A)

ACTUATOR SIZE	HYTORK ACTUATOR SIZE	GEAR RATIO	HANDWHEEL DIAMETER		VALVE SHAFT DIAMETER <sup>(1)</sup>		MAXIMUM ALLOWABLE TORQUE <sup>(2)</sup>		WHEEL-RIM FORCE FOR MAXIMUM TORQUE	
			mm	Inches	mm	Inches	N•m	lbf•in	N	lbf
AAA	70 thru 280	24:1	203	8	14.3	0.5625	129	1145	214	48
			305	12	17.5 23.8	0.6875 0.9375	245 271	2165 2400 <sup>(3)</sup>	267 298	60 67
AA	70 thru 280	24:1	203	8	14.3	0.5625	129	1145	151	34
					17.5	0.6875	245	2165	298	64
			305	12	23.8	0.9375	542	4800 <sup>(3)</sup>	418	94
					30.2	1.125	542	4800 <sup>(3)</sup>	418	94
31.8	1.1875	542	4800 <sup>(3)</sup>	418	94					
41.3	1.25 <sup>(4)</sup>	542	4800 <sup>(3)</sup>	418	94					
A	680A	40:1	610	24	14.3	0.5625	129	1145	44	10
					17.5	0.6875	245	2165	80	18
					23.8	0.9375	671	5941	222	50
					28.6	1.125	834	7383	276	62
					30.2	1.1875	926	8200 <sup>(3)</sup>	302	68
					31.8	1.25 <sup>(4)</sup>	926	8200 <sup>(3)</sup>	302	68
41.3	1.625	926	8200 <sup>(3)</sup>	302	68					
B	1125	40:1	610	24	23.8	0.9375	671	5941	182	41
					28.6	1.125	834	7383	227	51
					31.8	1.25 <sup>(4)</sup>	927	8205	254	57
					30.2	1.1875	1171	10,360	320	72
					31.8	1.25 <sup>(5)</sup>	1233	10,911	338	76
					38.1	1.5	1582	14,000 <sup>(3)</sup>	431	97
					41.3	1.625	1582	14,000 <sup>(3)</sup>	431	97
					44.5	1.75	1582	14,000 <sup>(3)</sup>	431	97
47.6	1.875	1582	14,000 <sup>(3)</sup>	431	97					
C	1370	54:1	610	24	23.8	0.9375	671	5941	138	31
					28.6	1.125	834	7383	169	38
					31.8	1.25 <sup>(4)</sup>	927	8205	187	42
					30.2	1.1875	1171	10,360	236	53
					31.8	1.25 <sup>(5)</sup>	1233	10,911	249	56
					38.1	1.5	2203	19,494	445	100
			762	30	41.3	1.625	2530	22,396	409	92
			44.5	1.75	2568	22,728	418	94		
47.6	1.875	2712	24,000 <sup>(3)</sup>	440	99					
D	2585 & 4580	64:1	610	24	31.8	1.25 <sup>(4)</sup>	927	8205	160	36
					30.2	1.1875	1171	10,360	200	45
					31.8	1.25 <sup>(5)</sup>	1233	10,911	209	47
					38.1	1.5	2203	19,494	378	85
			762	30	41.3	1.625	2530	22,396	347	78
			44.5	1.75	2568	22,728	351	79		
914	36	47.6	1.875	4067	36,000 <sup>(3)</sup>	463	104			
57.2	2.25	4067	36,000 <sup>(3)</sup>	463	104					

1. Shaft diameter at the keyway.

2. Unless otherwise noted, torque is limited by S17400 stainless steel (17-4PH H1025) shaft material at 38°C (100°F). For other shaft materials, consult your [Emerson sales office](#) or Local Business Partner

3. Maximum manual actuator output.

4. NPS 12 CL150 A31A and NPS 8 CL300 A31A.

Table 3. Actuator Size Selection and Specifications for Valves (Fisher A41)

ACTUATOR SIZE	HYTORK ACTUATOR SIZE	GEAR RATIO	HANDWHEEL DIAMETER		VALVE SHAFT DIAMETER <sup>(1)</sup>		MAXIMUM ALLOWABLE TORQUE <sup>(2)</sup>		WHEEL-RIM FORCE FOR MAXIMUM TORQUE	
			mm	Inches	mm	Inches	N•m	lbf•in	N	lbf
AAA	70 thru 280	24:1	152	6	12.7 15.9	0.500 0.625	58 138	515 1225	127 305	29 69
			203	8	15.9	0.625	138	1225	229	51
			305	12	15.9	0.625	138	1225	152	34
			152	6	12.7 15.9	0.500 0.625	58 138	515 1225	127 305	29 69
			203	8	19.1	0.750	240	2120	392	88
AA	70 thru 280	24:1	203	8	19.1 25.4 31.8	0.750 1.000 1.250	240 468 542	2120 4140 4800 <sup>(3)</sup>	280 546 629	63 123 141
			305	12	31.8 38.1	1.250 1.500	542 542	4800 <sup>(3)</sup> 4800 <sup>(3)</sup>	418 418	94 94
A	680A	40:1	610	24	19.1	0.750	240	2120	78	18
					25.4	1.000	468	4140	153	34
					31.8	1.250	926	8200 <sup>(3)</sup>	303	68
					38.1	1.500	926	8200 <sup>(3)</sup>	303	68
B	1125	40:1	610	24	31.8	1.250	1110	9820	303	68
					38.1	1.500	1356	12000	371	83
					44.5	1.750	1582	14,000 <sup>(3)</sup>	431	97
C	1370	54:1	610	24	31.8	1.250	1110	9820	227	51
					38.1	1.500	1356	12000	278	63
D	2585 & 4580	64:1	610	24	31.8	1.250	1110	9820	190	43
					38.1	1.500	1356	12000	231	52
			762	30	44.5	1.750	2658	23524	365	82

1. Shaft diameter at packing box.  
2. Unless otherwise noted, torque is limited by S17400 (17-4 PH H1025) stainless steel shaft. For other shaft materials, contact your [Emerson sales office](#) or Local Business Partner.  
3. Maximum manual actuator output. For AAA, C, and D, the maximum output is 2400, 24000, and 36000 in-lb, respectively.



Table 4. Actuator Size Selection and Specifications for Square Shaft Valves (Fisher A11)

ACTUATOR SIZE	HYTORK ACTUATOR SIZE	GEAR RATIO	HANDWHEEL DIAMETER		VALVE SHAFT DIAMETER <sup>(1)</sup>		MAXIMUM ALLOWABLE TORQUE <sup>(2)</sup>		WHEEL-RIM FORCE FOR MAXIMUM TORQUE	
			mm	Inches	mm	Inches	N•m	lbf•in	N	lbf
AAA	70 thru 280	24:1	203	8	10.3	0.40625	89	790	147	33
			305	12	15.9	0.625	271	2400 <sup>(3)</sup>	298	67
AA	70 thru 280	24:1	203	8	10.3	0.40625	89	790	102	23
			305	12	15.9	0.625	318	2813	245	55
A	680A	40:1	610	24	22.2	0.875	782	6922	254	57
					25.4	1	926	8200 <sup>(3)</sup>	302	68
					15.9	0.625	318	2813	85	19
B	1125	40:1	610	24	22.2	0.875	782	6922	214	48
					25.4	1	1351	11,956	369	83
					34.9	1.375	1582	14,000 <sup>(3)</sup>	431	97
					34.9	1.375	1582	14,000 <sup>(3)</sup>	431	97
C	1370	54:1	610	24	15.9	0.625	318	2813	67	15
					22.2	0.875	782	6922	160	36
					25.4	1	1351	11,956	276	62
D	2585 & 4580	64:1	610	24	15.9	0.625	318	2813	53	12
					22.2	0.875	782	6922	133	30
					25.4	1	1351	11,956	231	52
D	2585 & 4580	64:1	914	36	34.9	1.375	3520	31,157	400	90
					34.9	1.375	3520	31,157	400	90

1. Shaft diameter at square connection.  
 2. Unless otherwise noted, torque is limited by S17400 stainless steel (17-4 PH H1025) shaft material at 38°C (100°F). For other shaft materials, consult your [Emerson sales office](#) or Local Business Partner  
 3. Maximum manual actuator output.

Table 5. Fisher 1079 Manual Actuator Mounting Plate to Hytork Actuator Bolt Torque

HYTORK ACTUATOR MODEL NUMBER <sup>(1)</sup>	ACTUATOR MOUNTING HOLE SIZE	BOLT TORQUE	
		N•m	Lbf•ft
45	0.25-20 UNC	5	4
70 130 185 280	0.625-18 UNC	11	8
425A 680A	0.375-16 UNC	20	15
1125 1370	0.5-13 UNC	42	31
2585 4580	0.75-10 UNC	100	74

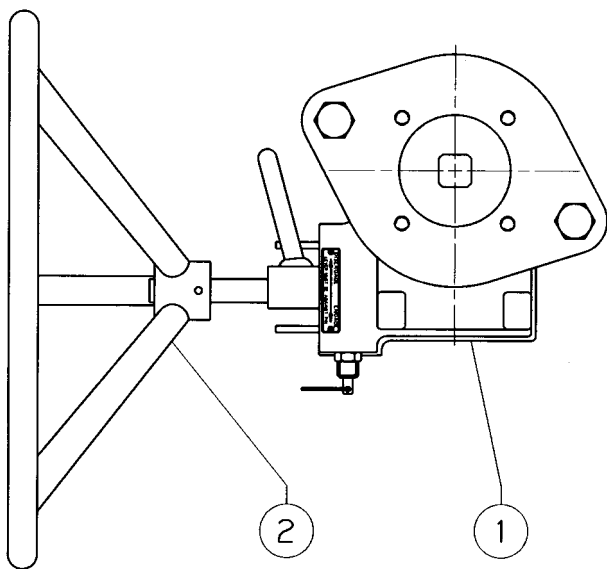
1. Applies to both double-acting and spring-return models.

## Lubrication

The interior parts of the 1079 manual actuator should be lubricated on a regular schedule with a quality gear lubricant. The interior parts should also be lubricated whenever difficulty in handwheel rotation indicates a need for lubrication.

1. Isolate the control valve from the line pressure, release pressure from both sides of the valve body, and drain the process media from both sides of the valve. If using a power actuator, also shut off all pressure lines to the power actuator, release all pressure from the actuator. Use lock-out procedures to be sure that the above measures stay in effect while you work on the equipment.
2. Remove the bolts that secure the power actuator to the manual actuator, and remove the power actuator.
3. Remove the four cap screws that secure the gearbox cover plate and remove the gearbox cover plate.
4. Coat the worm, the drive sleeve gear teeth, and the bearing surfaces of the gearbox housing and worm with a quality gear lubricant.
5. Install the cover plate and four cap screws.
6. Install the power actuator on the manual actuator.

Figure 3. Fisher 1079 Declutchable Manual Actuator



2480392-A

## Parts Ordering

When corresponding with your [Emerson sales office](#) or Local Business Partner, indicate the size of the Hytork actuator. If the manual actuator was shipped separately (not attached to a Hytork actuator), give the serial number of the unit, which is shown on a tag attached to the manual actuator.

### **⚠ WARNING**

**Use only genuine Fisher replacement parts. Components that are not supplied by Emerson Automation Solutions should not, under any circumstances, be used in any Fisher valve, because they may void your warranty, might adversely affect the performance of the valve, and could cause personal injury and property damage.**

## Parts List

### Note

Contact your [Emerson sales office](#) or Local Business Partner for Part Ordering information.

## Manual Actuator Assembly (figure 3)

Key	Description
1	Gearbox, cast iron
2	Handwheel Assembly (includes handwheel and pin)

Neither Emerson, Emerson Automation Solutions, nor any of their affiliated entities assumes responsibility for the selection, use or maintenance of any product. Responsibility for proper selection, use, and maintenance of any product remains solely with the purchaser and end user.

Fisher is a mark owned by one of the companies in the Emerson Automation Solutions business unit of Emerson Electric Co. Emerson Automation Solutions, Emerson, and the Emerson logo are trademarks and service marks of Emerson Electric Co. All other marks are the property of their respective owners.

The contents of this publication are presented for informational purposes only, and while every effort has been made to ensure their accuracy, they are not to be construed as warranties or guarantees, express or implied, regarding the products or services described herein or their use or applicability. All sales are governed by our terms and conditions, which are available upon request. We reserve the right to modify or improve the designs or specifications of such products at any time without notice.

Emerson Automation Solutions  
Marshalltown, Iowa 50158 USA  
Sorocaba, 18087 Brazil  
Cernay 68700 France  
Dubai, United Arab Emirates  
Singapore 128461 Singapore

[www.Fisher.com](http://www.Fisher.com)

