

44-1300F Series

Regulators - Pressure Reducing

D4413FL10140XEN2

Specifications

For other materials or modifications, please consult TESCOM.

OPERATING PARAMETERS

Pressure rating per criteria of ANSI/ASME B31.3

Maximum Inlet Pressure

580 psig / 40.0 bar

Outlet Pressure Ranges

0-300 psig / 0-20.7 bar

0-580 psig / 0-40.0 bar

Design Proof Pressure

150% maximum rated

Design Burst Pressure

400% maximum rated

Leakage

Bubble-tight

Operating Temperature

-15°F to 165°F / -26°C to 74°C

Flow Capacity

$C_v = 0.8, C_v = 2.0$

MEDIA CONTACT MATERIALS

Body

316L Stainless Steel

Main Valve Seat

Teflon®

Vent Valve Seat

Teflon® (venting only)

Back Cap

300 Series Stainless Steel

Back-up Rings

Teflon®

O-Ring

Viton®

Gaskets

CTFE

Remaining Parts

Type 17-4, 17-7, 300 Series Stainless Steel, Teflon®

OTHER

Weight (approximate)

DN 15: 9 lbs / 4.1 kg

DN 20/25: 12.1 lbs / 5.5 kg

Teflon® and Viton® are registered trademarks of E.I. du Pont de Nemours and Company.



TESCOM 44-1300F Series high flow, pressure reducing regulators provide welded flanges according to EN 1092 and are suitable for gas or liquid service.

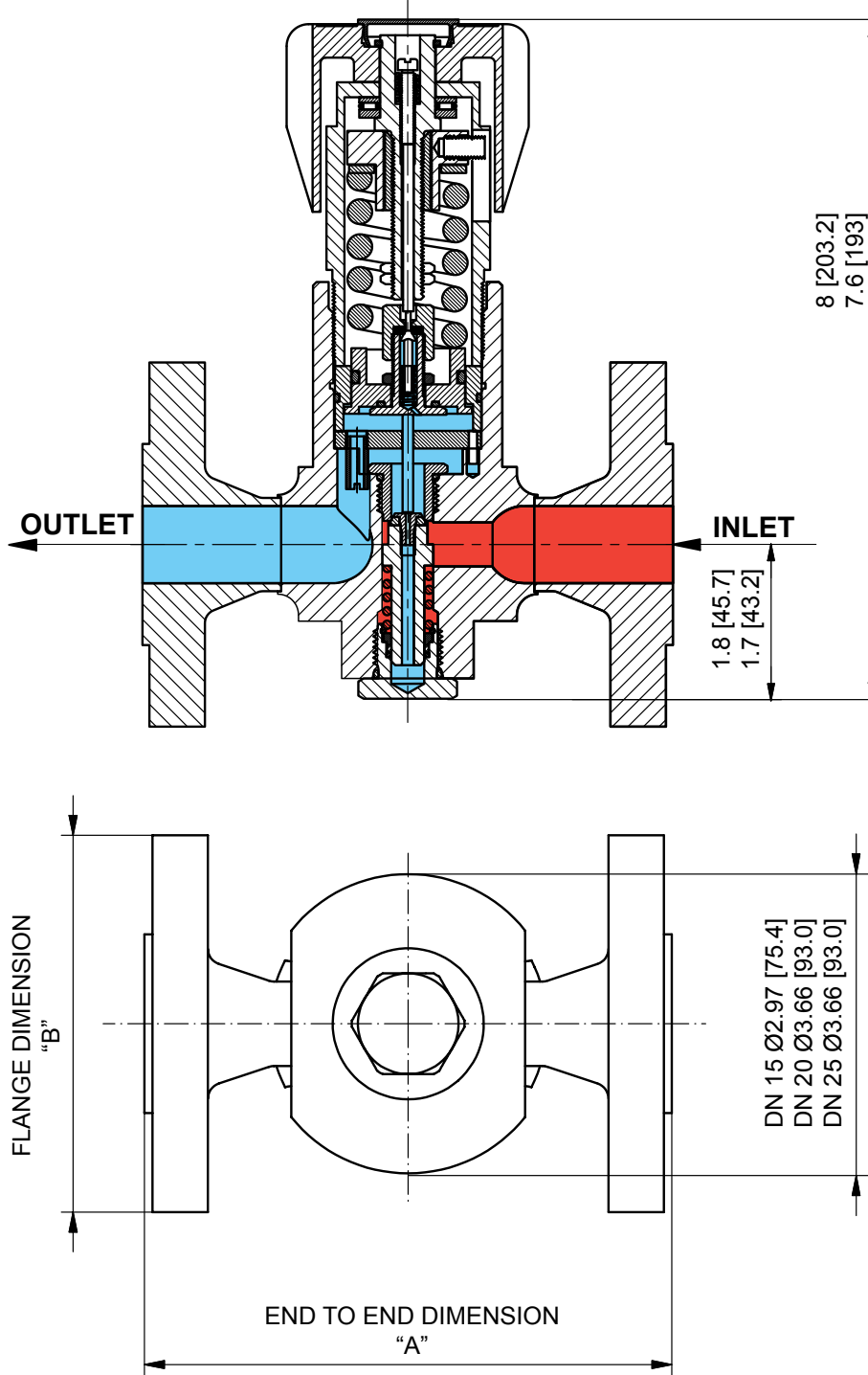
Applications

- Pressure control for diving and life support applications
- Pilot plants (i.e. in the chemical industry)

Features and Benefits

- Flange connections according to DIN EN 1092-1 Type 11 for easy line integration
- Face-to-face dimensions according to DIN EN 558, Row 1
- Connection up to DN 25
- Large piston sensor provides excellent sensitivity
- Balanced valve design ensures stable downstream pressure
- Large handknob offers fast low-torque pressure settings
- Venting is standard (select non-venting for liquids or critical gases)
- Available with gauge ports
- Other connection standards available upon request

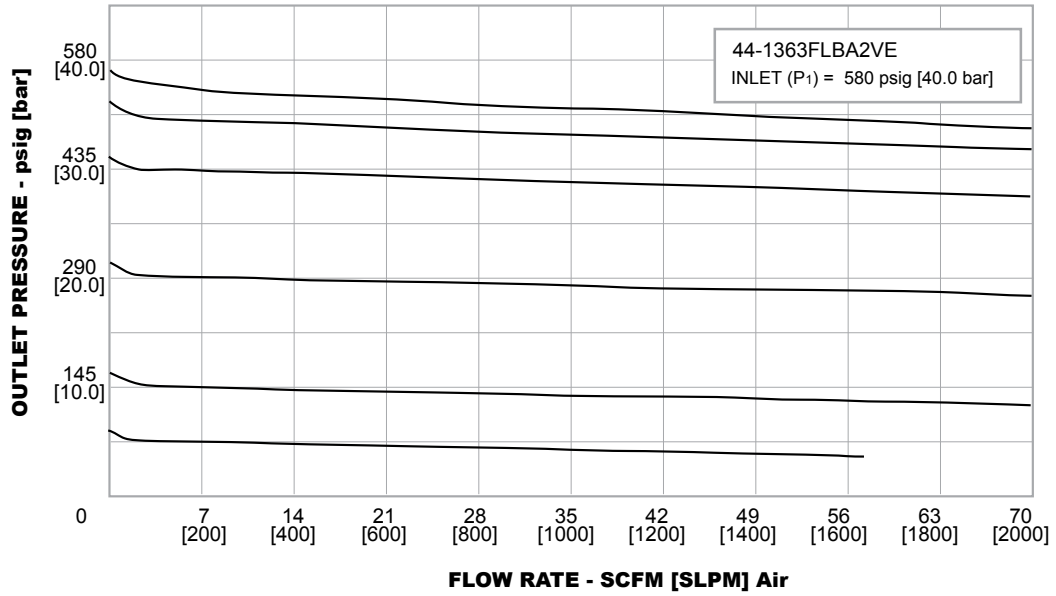
44-1300F Series Regulator Drawing



All dimensions are reference & nominal
Metric [millimeter] equivalents are in brackets

44-1300F Series Regulator Flow Chart

For more information on how to read flow curves, please refer to the Flow Curves and Calculations document (debul2007x012) in the TESCOM catalog or on www.tescom.com.



44-1300F Series Regulator Part Number Selector

Repair Kits, Accessories & Modifications may be available for this product. Please contact TESCOM for more information.

Example for selecting a part number:

44-13	6	2	F	K	B	F	2	V	E
			FLANGE					EN 1092-1	
BASIC SERIES	BODY AND FLANGE MATERIAL	OUTLET PRESSURE	INLET & OUTLET PORT TYPE	"A" ± 0.08" (± 2 mm)	"B" ± 0.08" (± 2 mm)	FLANGE TYPE	GAUGE PORT OPTIONS	FLOW CAPACITY	VENTING OPTION
44-13	6 – 316L Stainless Steel	2 – 0-300 psig 0-20.7 bar 3 – 0-580 psig 0-40.0 bar	K – DN 15 L – DN 20 M – DN 25	5.12 130 5.90 150 6.30 160	3.74 95 4.13 105 4.53 115	B – Form B - raised face D – Form D - ring joint	A – None D – 1/4" NPTF 1 x out E – 1/4" NPTF 1 x out F – 1/4" NPTF 1 x in L – 1/4" NPTF 1 x in, 1 x out	1 – C _v = 0.8 Orifice: ø 0.250 / 6.4 2 – C _v = 2.0 Orifice: ø 0.375 / 9.5	N – Non-Venting (for liquid service) V – Venting

Kits

	BASIC SERIES	PART NUMBER
NON METALLIC	44-13XX FXX 1VE	389-1873
	44-13XX FXX 2VE	389-1874
	44-13X2 FXX 2VE	389-2726
	44-13XX FXX 1NE	389-1459
	44-13XX FXX 2NE	389-2784
REPAIR	44-13XX FXX 1VE	389-1875
	44-13XX FXX 2VE	389-1876
	44-13X2 FXX 2VE	389-2727
	44-13XX FXX 1NE	389-2343
	44-13XX FXX 2NE	389-2785



WARNING! Do not attempt to select, install, use or maintain this product until you have read and fully understood the TESCOM Safety, Installation and Operation Precautions.

D4413FL10140XEN2 © 2012 Emerson Process Management Regulator Technologies, Inc. All rights reserved. 05/2012.
 Tescom, Emerson Process Management, and the Emerson Process Management design are marks of one of the Emerson Process Management group of companies. All other marks are the property of their respective owners.