

**Central gas supply  
for non corrosive and corrosive gases  
and gas mixtures up to purity 6.0**

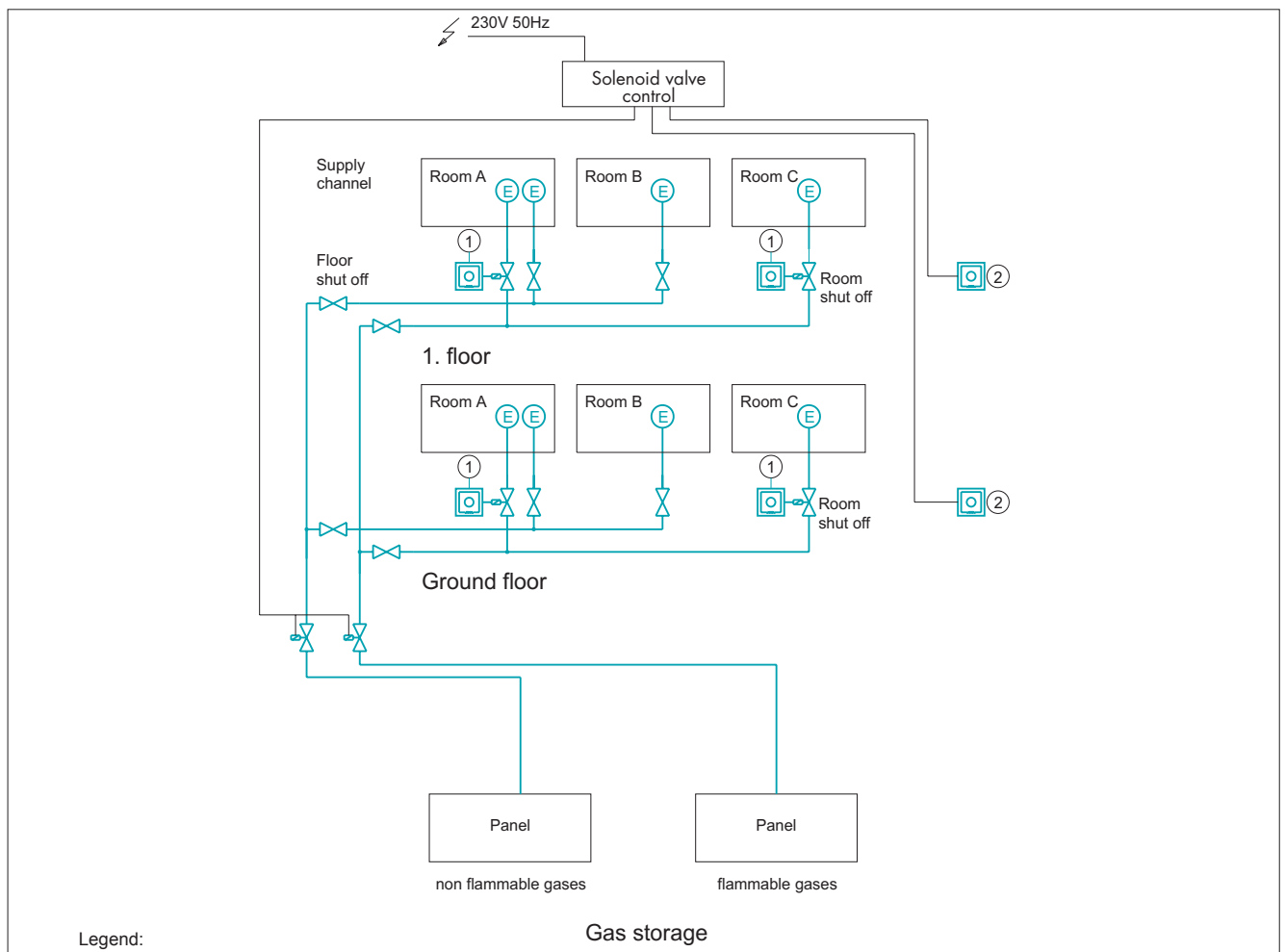
## Emergency switch off system

LAB  
line

**Europe and Middle East only**

### Specification

The emergency switch off system acts in case of emergency or other hazardous events as an electrical operated quick shut off for main pipe systems, floor pipe systems or room pipe systems. All gas supplies will be stopped at the feeding points already. In combination with a control box and a gas warning system the emergency switch off system is an important part of the central supply system.



**TESCOM**  
EUROPE

## Components for the emergency shut off system

### 2/2 way solenoid valve – TECHNICAL DATA

| Nominal width:      | DN4: (G1/4i), DN10: (G3/8i)                        |                             |
|---------------------|--|-----------------------------|
| Function:           | 2/2-way powerless closed                           |                             |
| Operating pressure: | DN4: 0-18 bar; DN10: 0,2-12 bar                    |                             |
| Voltage:            | 230 V AC, 50 Hz                                    |                             |
| Kind of protection: | IP 65 / Ex Eex em II T4                            |                             |
| Body:               | Brass / Stainless Steel                            |                             |
| Seats:              | EPDM for all Ex-Versions<br>FPM for all IP65-types |                             |
| TYPE                | BRASS  | STAINLESS STEEL             |
| DN 4, IP 65         | <b>D45093 - 04 - 1</b>                             | <b>D45093 - 04 - 6</b>      |
| DN 4, EX            | <b>D45093 - 04 - 1 - EX</b>                        | <b>D45093 - 04 - 6 - EX</b> |
| DN 10, IP 65        | <b>D45093 - 10 - 1</b>                             | <b>D45093 - 10 - 6</b>      |
| DN 10, EX           | <b>D45093 - 10 - 1 - EX</b>                        | <b>D45093 - 10 - 6 - EX</b> |



### Screw connection

| for solenoid valve DN | for tube/mm | Brass         | Stainless Steel |
|-----------------------|-------------|---------------|-----------------|
| 4                     | 6           | -             | <b>D40579</b>   |
| 4                     | 8           | <b>D42669</b> | <b>D42754</b>   |
| 4                     | 10          | <b>D41712</b> | <b>D42824</b>   |
| 10                    | 8           | <b>D40161</b> | <b>D42657</b>   |
| 10                    | 10          | <b>D40078</b> | <b>D42039</b>   |
| 10                    | 12          | <b>D40865</b> | -               |



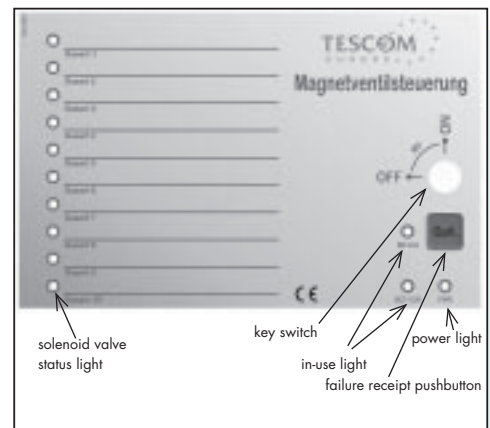
### Switch gear – TECHNICAL DATA

Solenoid valve boxes with key switch for the connection of up to 5 respectively 10 single solenoid valves. Connection for shut off loop and two potential free change over contact for fault signal / emergency shut off.

Power supply: 230 V AC  
Protection per electrovalve: 100 mA

**Emergency switch - WITHOUT PICTURE**  
Palm button with key

|               |                    |                             |
|---------------|--------------------|-----------------------------|
| Ordering no.: | <b>D44700 - 05</b> | Solenoid valve box 5 times  |
|               | <b>D44700 - 10</b> | Solenoid valve box 10 times |
|               | <b>V09556</b>      | Emergency switch            |



**TESCOM**  
EUROPE

An der Trave 23-25 · D-23923 Selmsdorf · Germany  
 Tel. +49/(0)38823/31-0 · Fax +49/(0)38823/31-199  
 info@tescom-europe.com · www.tescom-europe.com