



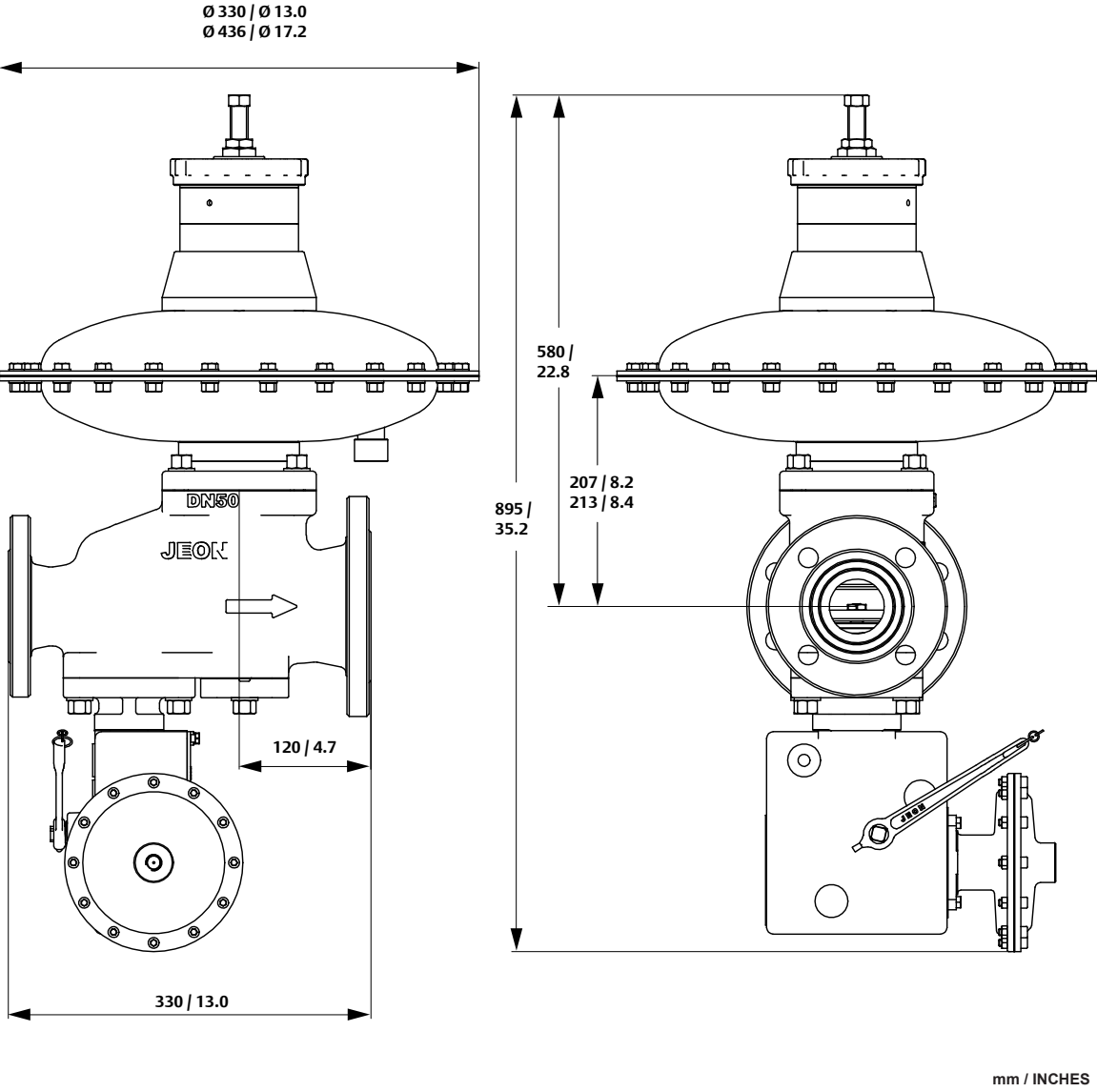








# Bulletin: Type SE



Asia Pacific Only

Figure 5. Type SE Dimensions



