

# Thermocouple Module (ROC800-Series)

The Thermocouple (T/C) Input module for the ROC800-Series Remote Operations Controller (ROC800) provide the ROC with the ability to monitor various thermocouple sensors. The T/C module may be placed in any I/O slot on the ROC800.

The Thermocouple (T/C) input module provides five channels for measuring millivolt signals from ungrounded J or K type thermocouples. Individual channels on the module can be independently designated in the ROCLINK 800 Configuration Software as either J or K input channels. Installation cost is reduced as the T/C module provides cold junction compensation at the module level. No special terminal or isothermal block is required, because the thermocouple is wired directly to the module's terminal block.

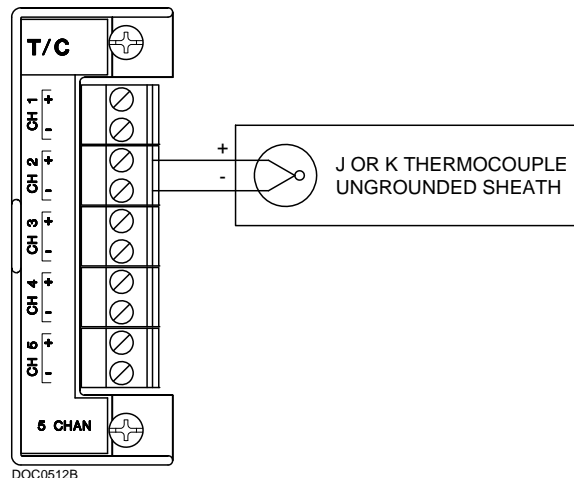
The extensive use of current-limiting short-circuit protection and surge protection techniques eliminates the need for fuses on the Input/Output (I/O) modules. This reduces maintenance for remote locations. The I/O modules are self-resetting after a fault clears.

Installation and replacement of these modules is easily accomplished by removing the two captive screws accessible from the front of the unit. Modules are both hot-swappable (they can be removed and another module of the same kind installed when the unit is powered) and hot-pluggable (they can be installed directly into unused module slots when the unit is powered). The modules are also self-identifying, which means that ROCLINK™ 800 Configuration Software recognizes the module without user intervention.

The T/C module has fixed terminal blocks for improved thermal compensation. The terminal blocks can accommodate 12 to 22 American Wire Gauge (AWG).

The modules each have their own integrated short-circuit protected isolated power supply. This power supply allows the field circuitry to be completely isolated from the backplane and the Central Processor Unit (CPU).

Each module provides isolation from other modules and the backplane, including power and signal isolation.



Thermocouple Wiring

D301573X012

**J and K Type Thermocouple Input Module Specifications**

**FIELD WIRING TERMINALS**

Terminal	Label	Definition
1	CH 1+	CH1 Positive
2	CH 1-	CH1 Negative
3	CH 2+	CH2 Positive
4	CH 2-	CH2 Negative
5	CH 3+	CH3 Positive
6	CH 3-	CH3 Negative
7	CH 4+	CH4 Positive
8	CH 4-	CH4 Negative
9	CH 5+	CH5 Positive
10	CH 5-	CH5 Negative

**INPUT**

**Quantity:** Five channels.

**Type:** J & K Type ungrounded Thermocouple sensors. Software selectable on a per channel basis.

**Input Temperature Range:**

**J Type:** -100 to 1200°C (-328 to 2192°F).

**K Type:** -100 to 1372°C (-121 to 2500°F).

**Maximum Overload:** (Input + to Input -) ±6 V dc, continuous.

**Minimum Scan Period:** 150 milliseconds for all channels.

**Absolute Accuracy<sup>1</sup> at 25°C (77°F):** 1°C (33.8°F) typical; 3°C (35.6°F) maximum.

**Absolute Accuracy<sup>1</sup> Over Operating Temp:** 7°C (42.8°F) maximum.

**COLD JUNCTION COMPENSATION**

Cold junction is measured and corrected on a per channel basis.

**OPEN CIRCUIT DETECTION**

On detection of no thermocouple present, the reading is forced to 9999.0°C (9999.0°F).

**POWER CONSUMPTION**

Main power supply loading at the Battery Terminals (at 12.0 V dc): 84 mA typical.

**WIRING**

12 to 22 AWG at the removable terminal block.

**ISOLATION**

**Field to Logic:** 2500 V dc, 1 minute minimum.

**Field to Power:** 2500 V dc, 1 minute minimum.

**Module to Module:** 2500 V dc, 1 minute minimum.

**WEIGHT**

59.0 g (2.08 oz).

**ENVIRONMENTAL**

**Operating Temp:** -40 to 85°C (-40 to 185°F).

**Storage Temp:** -55 to 100°C (-67 to 212°F).

**Relative Humidity:** IEC68-2-3; 5-95% non-condensing.

**Vibration:** IEC68-2-6; 0.15 mm/sec<sup>2</sup> @ 10-150 Hz.

**Mechanical Shock:** IEC68-2-27; 11 mSec, sinusoidal 50 Gs non-operating, 15 Gs operating.

**Thermal Shock:** IEC68-2-14; Air to air from -20 to 85°C (-4 to 185°F).

**DIMENSIONS**

All I/O modules for the ROC800-Series unit have the same dimensions and are designed to fit in any module slot.

26 mm W by 133 mm H by 75 mm D (1.04 in. W by 5.25 in. H by 2.96 in. D).

**APPROVALS**

These modules carry the same approvals as the ROC800-Series unit in which they are installed.

1. Absolute Accuracy Includes: Linearity, Hysteresis, Repeatability, Stability, Gain, and Offset error.

Bristol, Inc., Bristol Babcock Ltd, Bristol Canada, BBI SA de CV and the Flow Computer Division, are wholly owned subsidiaries of Emerson Electric Co. doing business as Remote Automation Solutions ("RAS"), a division of Emerson Process Management. FloBoss, ROCLINK, Bristol, Bristol Babcock, ControlWave, TeleFlow and Helicoid are trademarks of RAS. AMS, PlantWeb and the PlantWeb logo are marks of Emerson Electric Co. The Emerson logo is a trademark and service mark of the Emerson Electric Co. All other marks are property of their respective owners.

The contents of this publication are presented for informational purposes only. While every effort has been made to ensure informational accuracy, they are not to be construed as warranties or guarantees, express or implied, regarding the products or services described herein or their use or applicability. RAS reserves the right to modify or improve the designs or specifications of such products at any time without notice. All sales are governed by RAS' terms and conditions which are available upon request. RAS does not assume responsibility for the selection, use or maintenance of any product. Responsibility for proper selection, use and maintenance of any RAS product remains solely with the purchaser and end-user.

**Emerson Process Management**

**Remote Automation Solutions**

Marshalltown, IA 50158 U.S.A.

Houston, TX 77041 U.S.A

Pickering, North Yorkshire UK Y018 7JA

