

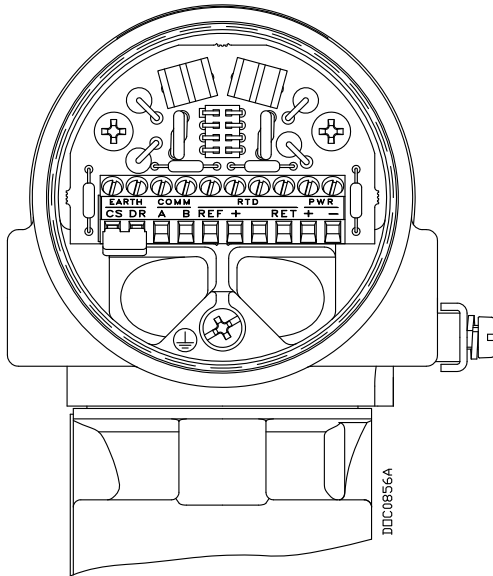
# MVS205 Case Isolation Installation Sheet

Form A6277 Part Number D301641X012  
June 2009  
Sheet 1 of 2

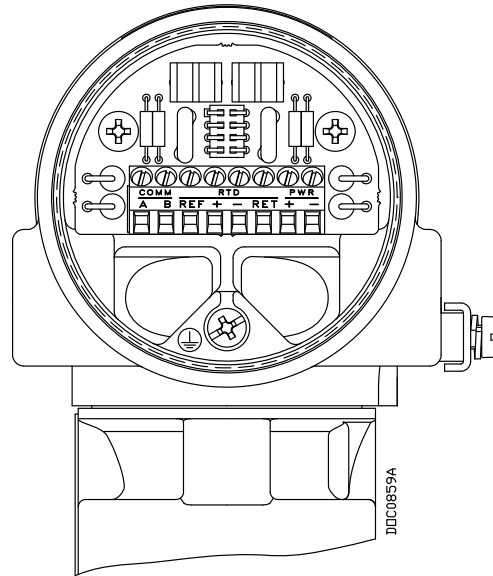
Refer to the appropriate  
instruction manual for  
more information

If your MVS205 has a 10-pin terminal block and your application requires case isolation, perform the following steps show below:

**Note:** Earlier versions of the MVS205 with 4-pin or 8-pin terminal blocks do not provide the case isolation option.

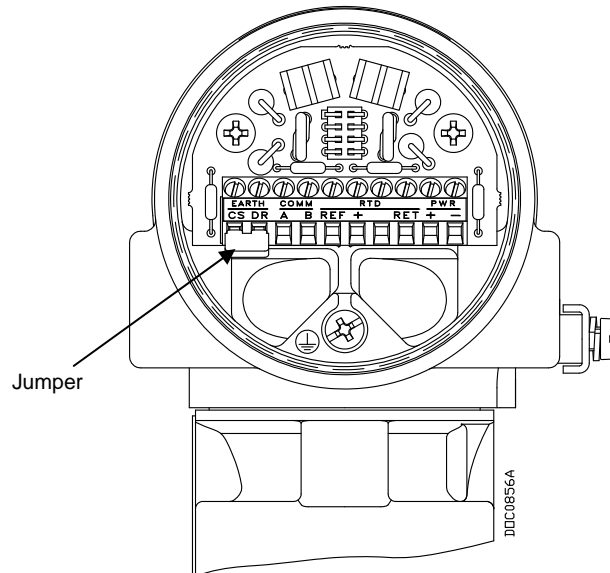


MVS205 with 10-pin terminal block



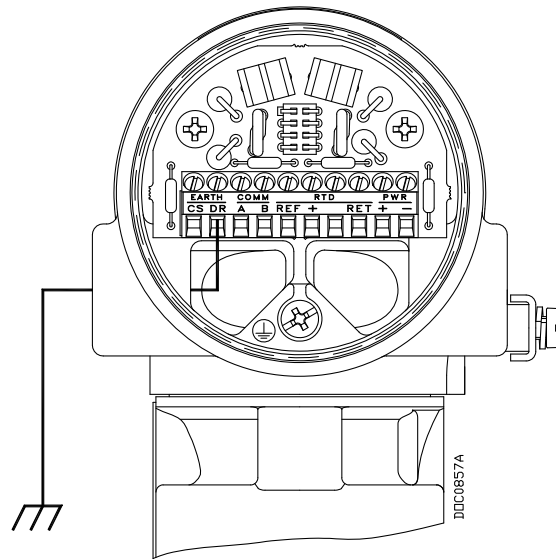
MVS205 with 8-pin terminal block

1. Remove the cover from the conduit end of the MVS205 transmitter.
2. Remove the jumper attached between terminals CS and DR.



Jumper on the 10-pin MVS205

3. Connect a ground wire (size 12 to 14 AWG) to terminal DR.



*Ground wiring for case isolation*

**Note:** Ensure that the ground for wiring and the ground for the case are not the same.

4. Connect the other end of the ground wire to an earth ground to provide the MVS205 with case isolation.

Bristol, Inc., Bristol Canada, BBI SA de CV and Emerson Process Management Ltd, Remote Automation Solutions division (UK), are wholly owned subsidiaries of Emerson Electric Co. doing business as Remote Automation Solutions ("RAS"), a division of Emerson Process Management. FloBoss, ROCLINK, Bristol, Bristol Babcock, ControlWave, TeleFlow and Helicoid are trademarks of RAS. AMS, PlantWeb and the PlantWeb logo are marks of Emerson Electric Co. The Emerson logo is a trademark and service mark of the Emerson Electric Co. All other marks are property of their respective owners.

The contents of this publication are presented for informational purposes only. While every effort has been made to ensure informational accuracy, they are not to be construed as warranties or guarantees, express or implied, regarding the products or services described herein or their use or applicability. RAS reserves the right to modify or improve the designs or specifications of such products at any time without notice. All sales are governed by RAS' terms and conditions which are available upon request. RAS does not assume responsibility for the selection, use or maintenance of any product. Responsibility for proper selection, use and maintenance of any RAS product remains solely with the purchaser and end-user.

**Emerson Process Management**  
**Remote Automation Solutions**  
Marshalltown, IA 50158 U.S.A.  
Houston, TX 77041 U.S.A.  
Pickering, North Yorkshire UK Y018 7JA

© 2009 Remote Automation Solutions, division of Emerson Process Management. All rights reserved.

