

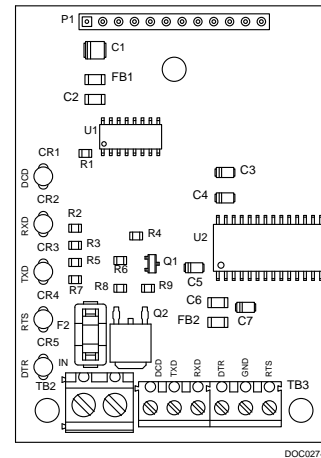
FloBoss™ 500-Series Communication Cards

The FloBoss™ 500-Series Communication Cards support either serial or dial-up communications between FloBoss 503 or FloBoss 504 Flow Managers and another device, typically a host computer. The communication cards support Spontaneous-Report-By-Exception (SRBX) alarm messaging to a host, ROC Protocol, and Modbus Protocol. Three types of communication cards are available:

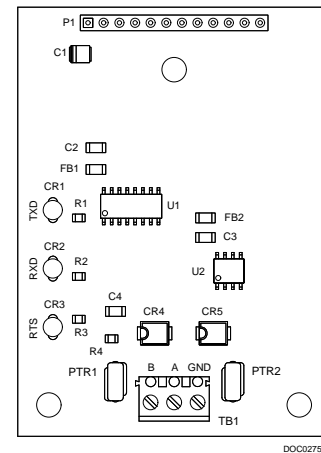
- **EIA-232D (RS-232D)** communications card for asynchronous EIA-232 serial communications over twisted-pair lines of up to 15 m (50 ft) in length. Under control of the FloBoss 500-Series unit, this card has the ability to switch external power to communication devices up to 3.5 A, such as a radio, to conserve power.
- **EIA-485 (RS-485)** communications card for asynchronous EIA-485 serial communications over twisted-pair lines of up to 1220 m (4000 ft) in length.
- **Dial-Up Modem** communications card for sending and receiving signals over a 2-wire, full-duplex Public Switched Telephone Network (PSTN) at 1200 and 2400 baud. The Dial-Up Modem accommodates both auto-dial and auto-answer features.

Each communications card plugs into the main board of the FloBoss unit, which provides power and control signals. Electrical connections to an external device are made by means of screw terminals on the serial cards. The Dial-Up Modem card interfaces to a telephone network through a TELCO (RJ11) connector on the card.

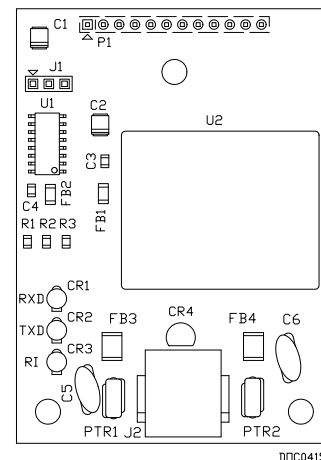
The communication cards have Light-Emitting Diode (LED) indicators for the various communication signals.



EIA-232 Communications Card



EIA-485 Communications Card



Dial-Up Modem Communication Card

D301099X012

Serial Communication Cards Specifications

<p>EIA-232D CARD Meets EIA-232 standard for single-ended data transmission over distances of up to 15 m (50 ft). Data Rate: Selectable from 1200 to 19,200 baud. Format: Asynchronous, 7 or 8-bit (software selectable) with full handshaking. Parity: None, odd, or even (software selectable).</p> <p>EIA-485 CARD Meets EIA-485 standard for differential data transmission over distances of up to 1220 m (4000 ft). Data Rate: Selectable from 1200 to 19,200 baud. Format: Asynchronous, 7 or 8-bit (software selectable). Parity: None, odd, or even (software selectable).</p> <p>LED INDICATORS Individual LEDs for RXD, TXD, and RTS signals. EIA-232D card also has LEDs for DTR and DCD.</p>	<p>POWER REQUIREMENTS 4.75 to 5.25 V dc, 0.03 W maximum, supplied by processor board.</p> <p>ENVIRONMENTAL Operating Temperature: -40 to 75°C (-40 to 167°F). Storage Temperature: -50 to 85°C (-58 to 185°F). Operating Humidity: To 95% relative, non-condensing.</p> <p>DIMENSIONS 18 mm H by 51 mm W by 70 mm L (0.7 in H by 2.0 in. W by 2.75 in. L).</p> <p>APPROVALS Approved by CSA for hazardous locations Class I, Division 2, Groups A, B, C, and D.</p>
---	--

Dial-Up Modem Communication Card Specifications

<p>OPERATION Mode: Full-duplex 2-wire for dial-up PSTN (Bell 212 compatible). Modem Protocols: Bell 212A, Bell 103, V.22bis, V.22, V.21. Data Rate: 1200, or 2400 baud asynchronous (software selectable). Parity: None, odd, or even (software selectable). Format: 8, 9, 10, or 11 bits, including start, stop, and parity (software selectable). Transmit Carrier Frequencies: Originate, 1200 Hz \pm 0.1%; Answer, 2400 Hz \pm 0.1%. Receive Carrier Frequencies: Originate, 2400 Hz \pm 7 Hz; Answer, 1200 Hz \pm 7 Hz. Telephone Line Impedance: 600 ohm typical. RTS to Transmission Delay: Configurable in 50 millisecond periods (software selectable). Receiver Sensitivity: On hook, Type B ringer, 38 Vrms. Maximum Output Level: 0 dBm nominal into 600 ohms. LED Indicators: TXD, RXD, and RI.</p>	<p>OPERATION (CONTINUED) Surge Protection: Conforms to FCC part 68 and DOC. Surge Isolation: 1000 V ac and 1500 Volt peak. Certification: FCC Part 68 approved.</p> <p>POWER REQUIREMENTS 4.75 to 5.25 V dc, 0.25 W maximum, supplied by processor board.</p> <p>ENVIRONMENTAL Operating Temperature: -35 to 70°C (-31 to 158°F). Storage Temperature: -40 to 85°C (-40 to 185°F). Operating Humidity: To 95% relative, non-condensing.</p> <p>DIMENSIONS 18 mm H by 51 mm W by 70 mm L (0.7 in. H by 2.0 in. W by 2.75 in. L).</p> <p>APPROVALS Approved by CSA for hazardous locations Class I, Division 2, Groups A, B, C, and D.</p>
---	---

Bristol, Inc., Bristol Babcock Ltd, Bristol Canada, BBI SA de CV and the Flow Computer Division, are wholly owned subsidiaries of Emerson Electric Co. doing business as Remote Automation Solutions ("RAS"), a division of Emerson Process Management. FloBoss, ROCLINK, Bristol, Bristol Babcock, ControlWave, TeleFlow and Helicoid are trademarks of RAS. AMS, PlantWeb and the PlantWeb logo are marks of Emerson Electric Co. The Emerson logo is a trademark and service mark of the Emerson Electric Co. All other marks are property of their respective owners.

The contents of this publication are presented for informational purposes only. While every effort has been made to ensure informational accuracy, they are not to be construed as warranties or guarantees, express or implied, regarding the products or services described herein or their use or applicability. RAS reserves the right to modify or improve the designs or specifications of such products at any time without notice. All sales are governed by RAS' terms and conditions which are available upon request. RAS does not assume responsibility for the selection, use or maintenance of any product. Responsibility for proper selection, use and maintenance of any RAS product remains solely with the purchaser and end-user.

Emerson Process Management

Remote Automation Solutions

Marshalltown, IA 50158 U.S.A.
Houston, TX 77041 U.S.A
Pickering, North Yorkshire UK Y018 7JA

