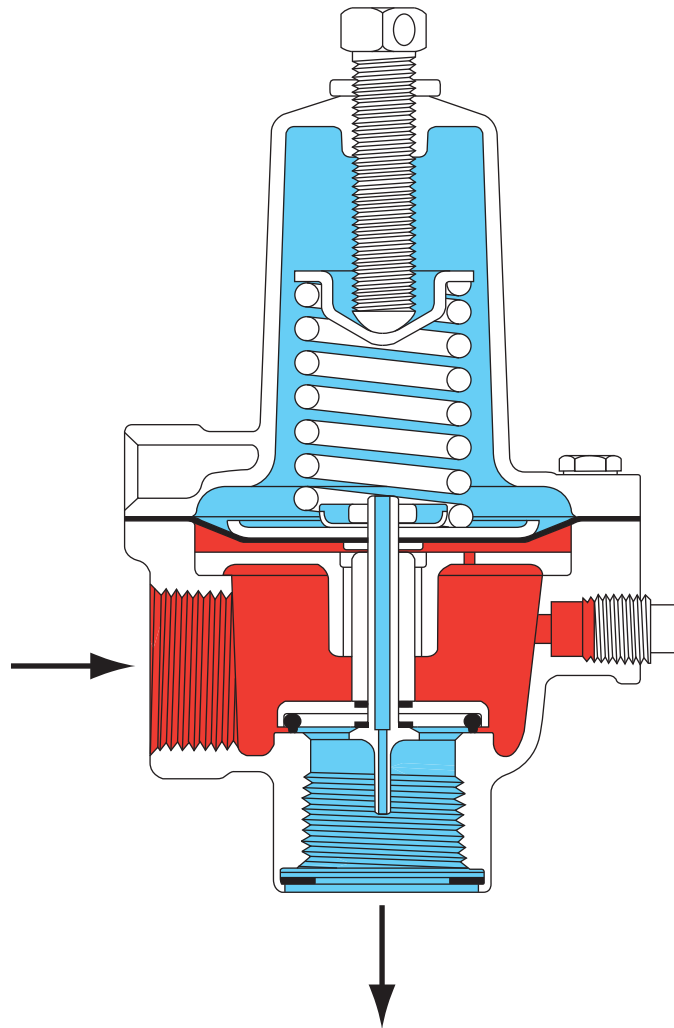


Typical of Type 289HH and 1-Inch / DN 25 Type 289H Relief Valves



■ INLET PRESSURE
■ OUTLET PRESSURE

