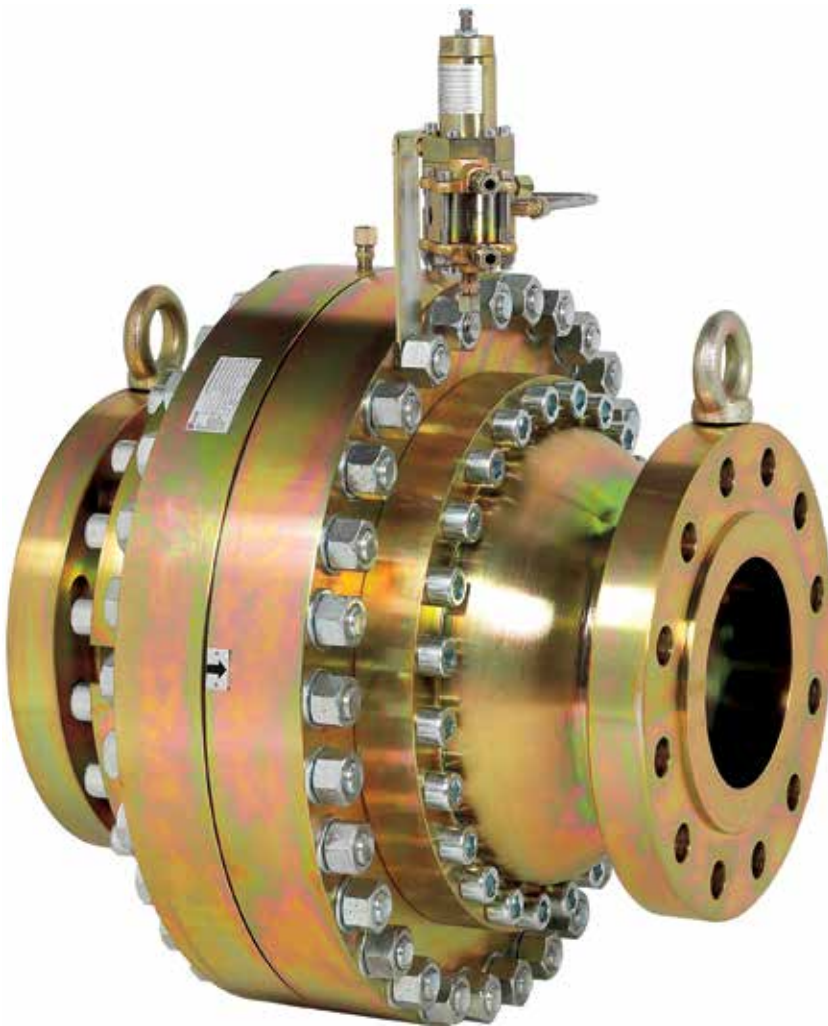


Type FL

FL Series of Axial Flow Pilot-Operated Regulators Meet a Wide Range of Applications, Offering Higher Flow Rates, Easy Maintenance and Compact Size



Type FL DN 200 with PRX Pilot

Benefits:

- Higher Flow Rates
- Modularity Design
- Counterbalanced Shutter
- Full Strength Diaphragm
- Easy Maintenance
- Compact Size
- High Accuracy



FL Regulator

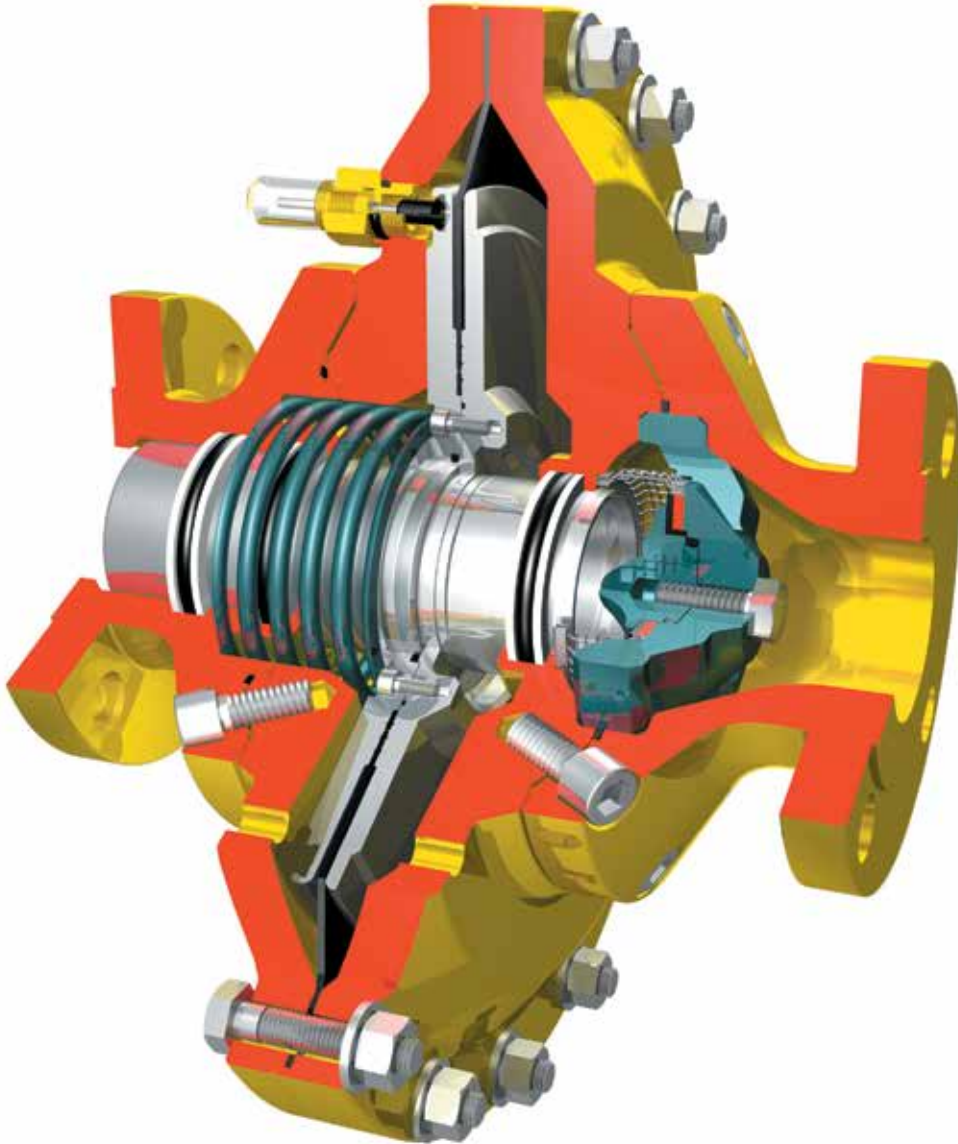


MFL Regulator + Monitor



BFL Regulator + Shut-off

Large installed base worldwide



FL-BP Type

Specifications

FL Series - ANSI 300/600

- Allowable pressure: up to 100 bar
- Inlet pressure range: 1 to 100 bar
- Set range: 0.5 to 80 bar

FL-BP Series PN 16/25 - ANSI 150

- Allowable pressure: up to 25 bar
- Inlet pressure range: 0.2 to 25 bar
- Set range: 0.01 to 8 bar
- Same size inlet/outlet flanges :
DN 25 - 40 - 50 - 65 - 80 - 100 - 150* - 200* - 250*
Widened outlet flange :
DN 25x100 - 40x150 - 50x150 - 65x200 - 80x250 -
100x250 - 150x300* - 200x400*

(*) These sizes are not available in MFL and BFL configurations,
DN 200 and DN 250 BP versions are not available.

For more information contact:

Italy

Tel.: +39 - 0514190611

Fax: +39 - 0514190715

France

Tel.: +33 (0)2 37 33 47 00

Fax: +33 (0)2 37 31 46 56

email: pressure.regulators@emersonprocess.com