

# Fisher™ 546NS Electro-Pneumatic Transducer

The Fisher 546NS transducer receives a direct-current input signal and use a torque motor, nozzle-flapper, and pneumatic relay to convert the signal to a proportional pneumatic output signal. Nozzle pressure, which operates the relay, is also piped to the torque motor feedback bellows. This provides a comparison between input signal and nozzle pressure and reduces errors in nozzle pressure.

The transducer can be mounted on a pneumatic diaphragm control valve actuator to provide accurate operation of the valve. The integrated high-capacity pneumatic relay eliminates the need for additional boosters or relays for operation of control valves.

The transducer also can be used to provide stable operation when its output signal is transmitted to small terminal volume chambers such as control bellows in pneumatic valve positioners.



Fisher 546NS Transducer Mounted on  
657 Pneumatic Diaphragm Actuator

W2115

## Features

- **Vibration Resistance**—High natural frequency of torque motor moving parts results in negligible vibration influence. Meets typical seismic requirements for nuclear service.
- **Easy Adjustment**—Screwdriver adjustments for span and zero are conveniently located and have arrows indicating rotation to increase settings (as shown in figure 1).
- **Field-Reversible Action**—No additional parts required to reverse action.
- **Simple Relay Removal**—Integrated pneumatic relay is mounted outside case and can be removed without disturbing electrical or pressure connections or impairing explosion safety.

**Specifications**

**Available Configuration**

Electro-pneumatic signal transducer with explosion-proof case and cover, with EPDM elastomers for use in elevated temperature and radiation environments

The 546NS can be ordered ■ with or ■ without a Fisher 67CFR filter regulator. The 51 mm (2 inch) supply pressure gauge mounted on the regulator may be ■ 0 to 30 psig or ■ 0 to 60 psig range

**Input Signals**

■ 4 to 20 mA DC, ■ 10 to 50 mA DC, or ■ two-way split range using either half of one of the standard input signal spans

**Internal Resistance of Torque Motor**

4 to 20 mA DC Input Signal: 176 ±10 ohms  
 10 to 50 mA DC Input Signal: 90 ±10 ohms

**Output Signals**

Ranges:

■ 0.2 to 1.0 bar (3 to 15 psig), ■ 0.4 to 2.0 bar (6 to 30 psig)

Action: Field reversible between ■ direct and ■ reverse

**Supply Pressure<sup>(1)</sup>**

Recommended: 0.3 bar (5 psi) higher than upper range limit of output signal  
 Maximum: 3.5 bar (50 psig)

**Average Steady-State Air Consumption<sup>(2)(3)</sup>**

0.44 m<sup>3</sup>/hr (16.5 scfh) at 1.4 bar (20 psi) supply pressure

**Maximum Output Air Capacity<sup>(2)</sup>**

At 1.4 bar (20 psig) Supply Pressure:  
 12.9 m<sup>3</sup>/hr (480 scfh)  
 At 2.4 bar (35 psig) Supply Pressure:  
 18.5 m<sup>3</sup>/hr (690 scfh)

**Performance<sup>(4)</sup>**

Actuator Loading Time: see figure 3

Reference Accuracy<sup>(5)</sup>: ±0.75% of output signal span

Independent Linearity: ±0.50% of output signal span

Open Loop Gain: 26

Frequency Response: Gain is attenuated 3 dB at 20 Hz with transducer output signal piped to a typical instrument bellows with 305 mm (12 inch) of 1/4 inch tubing

Electromagnetic Interference (EMI): Tested per IEC 61326-1 (Edition 1.1). Meets emission levels for Class A equipment (industrial locations) and Class B equipment (domestic locations). Meets immunity requirements for industrial locations (Table A.1 in the IEC specification document). Immunity performance shown in table 1.

**Operative Ambient Temperature Limits<sup>(1)</sup>**

-40 to 66°C (-40 to 150°F)

**Electrical Classification**

Hazardous Area:

CSA—Explosion-proof, Dust Ignition-proof, Div 2

FM—Explosion-proof, Dust Ignition-proof, Non-incendive

Refer to tables 2 and 3 for specific approval information

NEMA 3R, CSA Enclosure 3

NEMA 3R mounting orientation requires vent location to be below horizontal.

**Adjustments**

Zero and Span Adjustments: Screwdriver adjustments located inside case (see figure 1)

**Connections**

Supply Pressure: 1/4 NPT internal located on side of case (located on filter-regulator if a 67CFR is mounted to transducer)

Output Pressure: 1/4 NPT internal located on side of case

Vent: 1/4 NPT internal with screen located on relay

Electrical: 1/2 NPT internal located on bottom of case

-continued-

**Specifications (continued)**

**Construction Materials**

Case and Cover: Aluminum  
 O-Rings: EPDM  
 Flame Arrestors: Stainless steel  
 Supporting Bracket/Torsion Member: Stainless steel  
 Magnets: Alloy steel  
 Nozzle: Stainless steel  
 Feedback Bellows: Brass  
 Relay Body: Aluminum  
 Relay Restriction: Aluminum/Stainless steel

Relay Diaphragm: EPDM/Nomex®  
 Relay Valve Plug and Seat Ring: Brass

**Mounting**

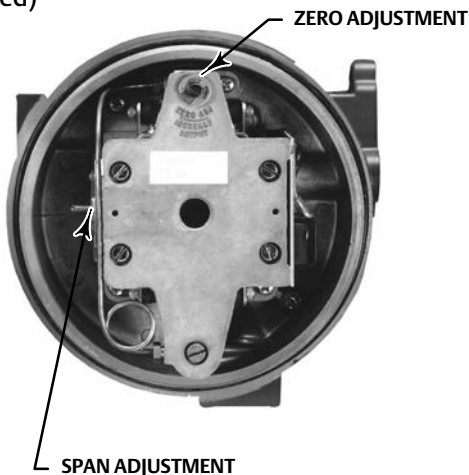
Mounting parts are available for ■ control valve actuator mounting, ■ pipestand (2 inch nominal) mounting, or ■ surface mounting

**Approximate Weight**

4.1 kg (9 lb)

NOTE: Specialized instrument terms are defined in ANSI/ISA Standard 51.1 - Process Instrument Terminology.  
 1. The pressure/temperature limits in this document and any applicable standard or code limitation should not be exceeded.  
 2. Normal m<sup>3</sup>/hr--Normal cubic meters per hour (0°C and 1.01325 bar, absolute). Scfh--Standard cubic feet per hour (60°F and 14.7 psia).  
 3. Average flow rate determined at 12 mA and 0.6 bar (9 psig) output.  
 4. Performance values are obtained using a 546 transducer with a 4 to 20 mA DC input signal and a 0.2 to 1.0 bar (3 to 15 psig) or a 0.4 to 2.0 bar (6 to 30 psig) output signal. Ambient temperature is 24°C (75°F). A transducer with other input or output signals may exceed these values.  
 5. Reference accuracy includes the effects of non-linearity, hysteresis, and deadband per SAMA Standard PMC 20.1-1973.

Figure 1. Zero and Span Adjustments (Cover Removed)



W5391

an increased magnetic attraction between the armature and the pole pieces. The armature rotates slightly clockwise to cover the nozzle, increasing pressure in the nozzle, the upper chamber of the relay, and the feedback bellows. Increased nozzle pressure and increased pressure in the upper chamber of the relay cause the relay supply port to open, increasing the output pressure to the actuator and the control valve.

At the same time, the increased pressure in the feedback bellows acts to move the armature back to the equilibrium position. In this way, the new nozzle pressure is compared to the DC input signal by the force balance principle.

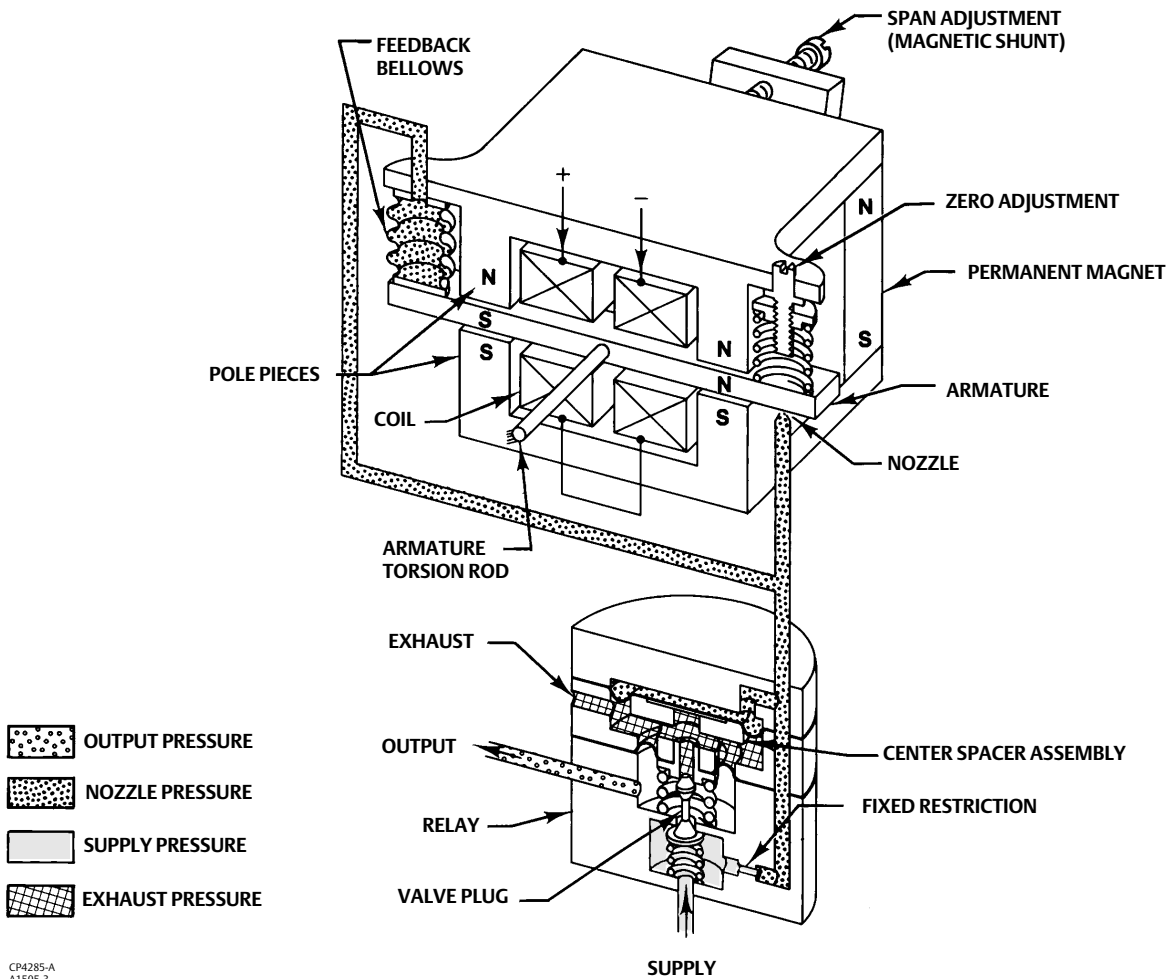
As the DC input signal decreases, magnetic attraction is reduced and the armature rotates slightly in the counterclockwise direction to uncover the nozzle. Decreased nozzle pressure and decreased pressure in the upper chamber of the relay cause the relay exhaust port to open and allow output pressure to bleed to atmosphere. Pressure to the control valve is reduced until equilibrium is attained.

**Principle of Operation**

Refer to figure 2, and assume that the transducer is direct acting. As the DC milliamp signal increases, so does the magnetic field around the coils. This results in

Reverse-acting transducers operate in a similar manner except that when the DC input signal increases, pressure to the actuator and control valve decreases.

Figure 2. Transducer Schematic



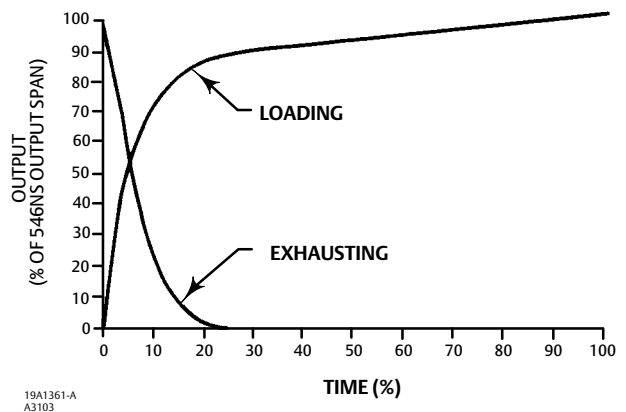
CP4285-A  
A1505-3

## Valve Stroking Time

Figure 3 shows relative times for loading and exhausting an actuator. Exhausting times are nominally 25 percent of the loading times. Stroking time depends upon the size of the actuator, travel, relay characteristics and the magnitude and rate of change of the input signal. If stroking time is critical, contact your [Emerson Automation Solutions sales office](#).



Figure 3. Output-Time Relationships



19A1361-A  
A3103

## Nuclear-Service Applications

The 546NS transducer is designed for nuclear power applications. The 546NS construction includes materials that provide superior performance in elevated temperature and radiation environments.

The O-rings are EPDM (ethylene propylene) and the diaphragms are EPDM/Nomex. EPDM demonstrates superior temperature capability and shelf life over nitrile. (Use a clean, dry, oil-free air supply with instruments containing EPDM components. EPDM is subject to degradation when exposed to petroleum-based lubricants.) The Nomex diaphragm fabric demonstrates improved strength retention at elevated temperature and radiation conditions.

Under the 10CFR50, Appendix B, quality assurance program, the 546NS transducer is qualified “commercial grade dedicated”. These can be supplied as 10CFR, Part 21 items.

## Qualification

The 546NS is qualified to meet stringent environmental conditions encountered in nuclear power plant containment areas. Samples were subjected to the tests summarized below:

- Thermal Aging: accelerated service temperature of 54°C (130°F) over 10 years.
- Radiation Aging: 6 MRads Total Integrated Dose (TID)
- Seismic Event Simulation (DBE): no natural frequencies found between 5-100 Hz and seismic dwells of 8g uniaxial from 3-40 Hz.
- LOCA/MSLB Event Simulation: saturated steam for 14 hours at 160°C (320°F) followed by a gradual reduction to 83°C (182°F) over a 10 hour period.

Upon conclusion of the above tests, no loss of function or extreme degradation was found.

## Installation

Standard positions for actuator mounting and pipestand mounting are shown on the front cover and figure 4, respectively. Dimensions are shown in figure 4.

## Ordering Information

To determine what ordering information is required, refer to the Specifications table. Carefully review the information under each specification and in the referenced table. Specify the desired choice wherever there is a selection to be made. Always specify the type number as identified in the Available Configurations specification.

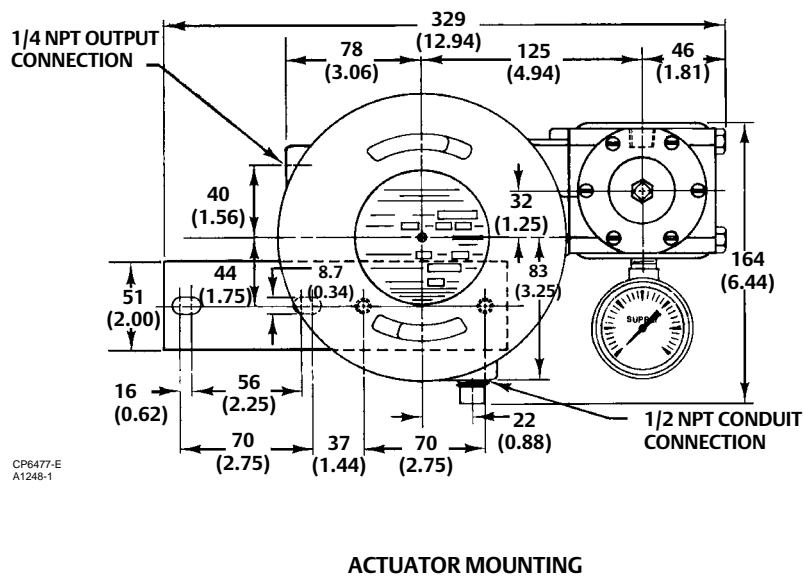
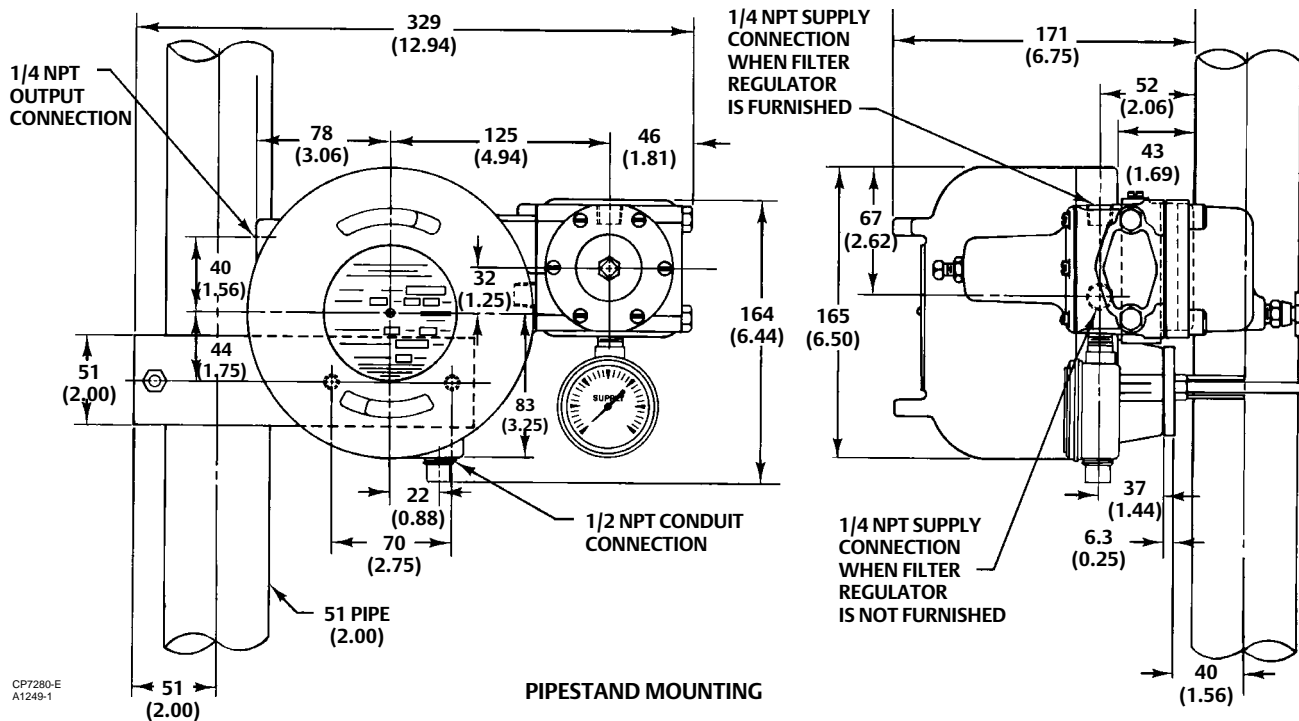
For transducers that are to be used in intrinsically safe installations, specify the rating required and the system with which the unit will be used.

When ordering actuator mounting parts, specify the actuator type, size, travel, and diaphragm pressure range. For all Fisher 657 and 667 actuators except size 80, specify whether actuator yoke or actuator casing mounting is desired (yoke mounting is only available on size 80 actuators).

For split-range operation, specify the portion of input signal to be used; e.g. 4 to 12 milliamps of a standard 4 to 20 milliamp signal.

For nuclear service applications, consult your [Emerson Automation Solutions sales office](#) for additional information and order assistance.

Figure 4. Dimensions



mm  
(INCH)

**Table 1. Electromagnetic Immunity Performance**

Port	Phenomenon	Basic Standard	Test Level	Performance Criteria <sup>(1)</sup>
Enclosure	Electrostatic discharge (ESD)	IEC 61000-4-2	4 kV contact 8 kV air	A
	Radiated EM field	IEC 61000-4-3	80 to 1000 MHz @ 10V/m with 1 kHz AM at 80%	A
	Rated power frequency magnetic field	IEC 61000-4-8	60 A/m at 50 Hz	A
I/O signal/control	Burst (fast transients)	IEC 61000-4-4	1 kV	A
	Surge	IEC 61000-4-5	1 kV (line to ground only, each)	A
	Conducted RF	IEC 61000-4-6	150 kHz to 80 MHz at 3 Vrms with 1kHz AM at 80%	A

Specification limit = ±1% of span  
1. A=No degradation during testing. B = Temporary degradation during testing, but is self-recovering.

For Declaration of Conformity available in multiple languages:



**Table 2. Hazardous Area Classifications—CSA (Canada)**

Certification Body	Certification Obtained	Temperature Code
CSA	Explosion-proof Class I, Division 1, Group C,D	T5 (Tamb = 66°C)
	Class II, Division 1, Groups E,F,G Class I, Division 2, Groups A,B,C,D Class II, Division 2, Groups F,G	T5

**Table 3. Hazardous Area Classifications—FM (United States)**

Certification Body	Certification Obtained	Temperature Code
FM	Explosion-proof Class I, Division 1, Groups C,D	T5 (Tamb = 60°C)
	Class II, Division 1, Groups E,F,G Class I, Division 2, Groups A,B,C,D Class II, Division 2, Groups F,G	T5

## Product Bulletin

62.1:546NS

November 2016

**546NS Transducer**

D103603X012

---

Neither Emerson, Emerson Automation Solutions, nor any of their affiliated entities assumes responsibility for the selection, use or maintenance of any product. Responsibility for proper selection, use, and maintenance of any product remains solely with the purchaser and end user.

Fisher is a mark owned by one of the companies in the Emerson Automation Solutions business unit of Emerson Electric Co. Emerson Automation Solutions, Emerson, and the Emerson logo are trademarks and service marks of Emerson Electric Co. All other marks are the property of their respective owners.

The contents of this publication are presented for informational purposes only, and while every effort has been made to ensure their accuracy, they are not to be construed as warranties or guarantees, express or implied, regarding the products or services described herein or their use or applicability. All sales are governed by our terms and conditions, which are available upon request. We reserve the right to modify or improve the designs or specifications of such products at any time without notice.

### Emerson Automation Solutions

Marshalltown, Iowa 50158 USA

Sorocaba, 18087 Brazil

Cernay, 68700 France

Dubai, United Arab Emirates

Singapore 128461 Singapore

[www.Fisher.com](http://www.Fisher.com)

---

