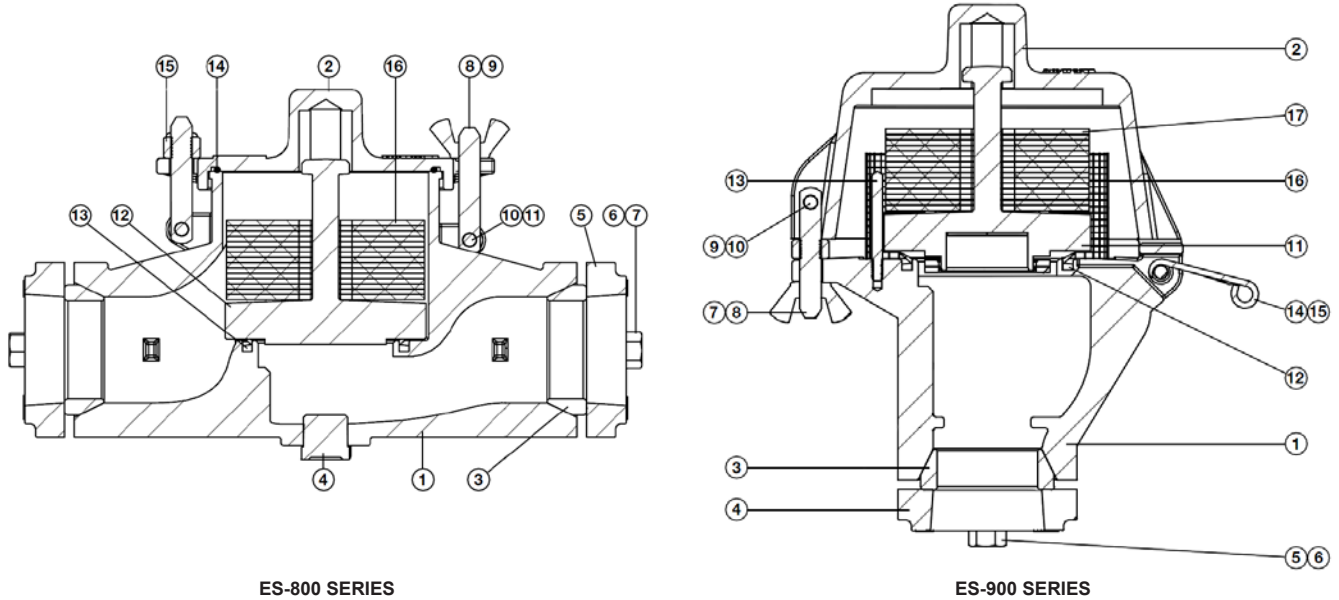
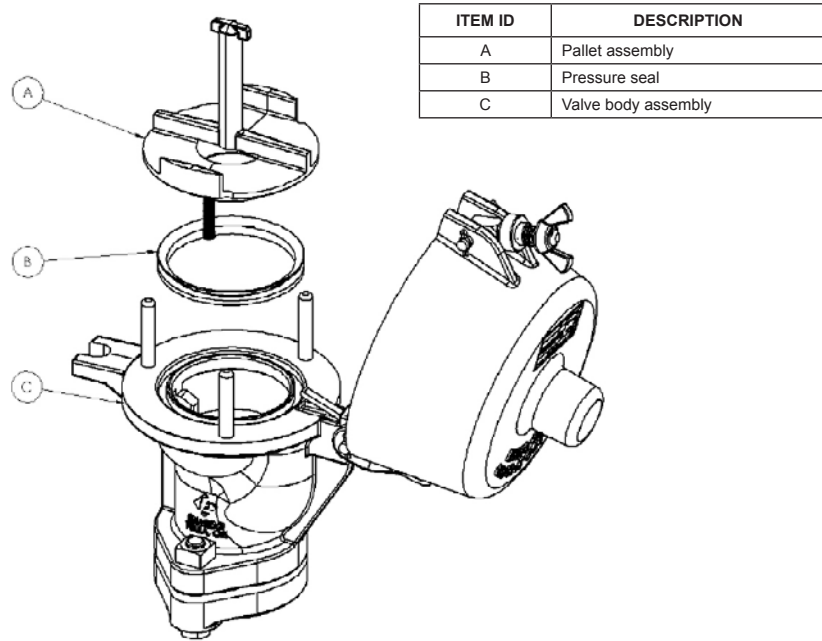


ES-800 and ES-900 Series



NOTE: TOP LID AREA IS ROTATED 90 DEGREES

Figure 7. ES-800 and ES-900 Series Assembly Drawing



NOTE: PARTS A AND B ABOVE ARE USED IN BOTH ES-800 AND ES-900 SERIES. PART C VARIES BASED ON THE MODEL.

Figure 8. ES-900 Series Assembly Drawing

Table 3. Pallet Assembly Options

MODEL	MATERIAL	2 In. / 50 mm	3 In. / 80 mm	4 In. / 100 mm
ES-800-SO or ES-900-SO	Buna-N	3514269	3514271	3514273
	Viton®	3514270	3514272	3514274
ES-800-PSO or ES-900-PSO	---	3514268	3514294	3514333

Table 4. V-Ring Seal - Pressure Seal Options

MATERIAL	2 In. / 50 mm	3 In. / 80 mm	4 In. / 100 mm
Buna-N	3514286	3514316	3514323
Viton®	3514313	3514317	3514324

Viton® is a mark owned by E. I. du Pont de Nemours and Company.

North America Only

