

56-2000 Series

Regulators - Pressure Reducing

D56202089X012

Specifications

For other materials or modifications, please consult TESCO.

OPERATING PARAMETERS

Pressure rating per criteria of ANSI/ASME B31.3

Maximum Inlet Pressure

15,000 psig / 1034 bar

Maximum Outlet Pressure

200-15,000 psig / 13.8-1034 bar
(non-adjustable spring bias pressure: 175-200 psig / 12-13.8 bar)

Design Proof Pressure

150% maximum rated

Leakage

Bubble-tight

Operating Temperature

-15°F to 165°F / -26°C to 74°C

Flow Capacity

$C_v = 0.06$

$C_v = 0.12$

MEDIA CONTACT MATERIALS

Body

17-4 Stainless Steel

Seat, Main Valve

Vespe[®] SP1

O-Ring

Buna-N

Back-up Ring

CTFE

Remaining Parts

300 Series Stainless Steel, 17-4 Stainless Steel and Nitronic 60

OTHER

Cleaning

CGA 4.1 and ASTM G93

Weight (approximate)

13 lbs / 5.9 kg

Vespe[®] is a registered trademark of E.I. du Pont de Nemours and Company.

Features and Benefits

- Accurate and consistent setpoint control reduces the risk of flow assurance issues from over and under injection
- High-quality piston-sensed regulators for longevity in offshore applications reduce maintenance costs and unplanned downtime
- Alternative options for full automation of injection rate control with the addition of the ER5000

* The 56-2000 requires a metering valve installed downstream to adjust the chemical injection rate (see diagram).

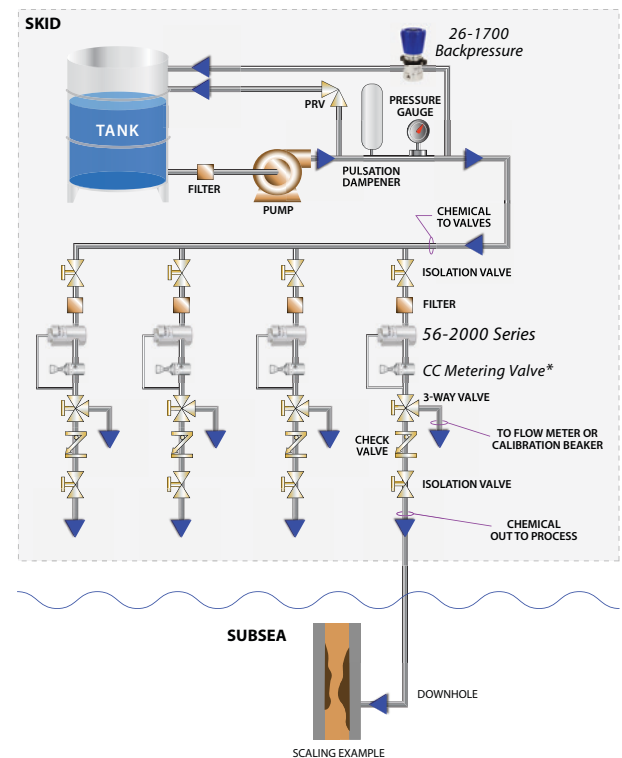


TESCOM 56-2000 Series provides accurate pressure control that allows customers to have consistent injection rates over the life of the well.

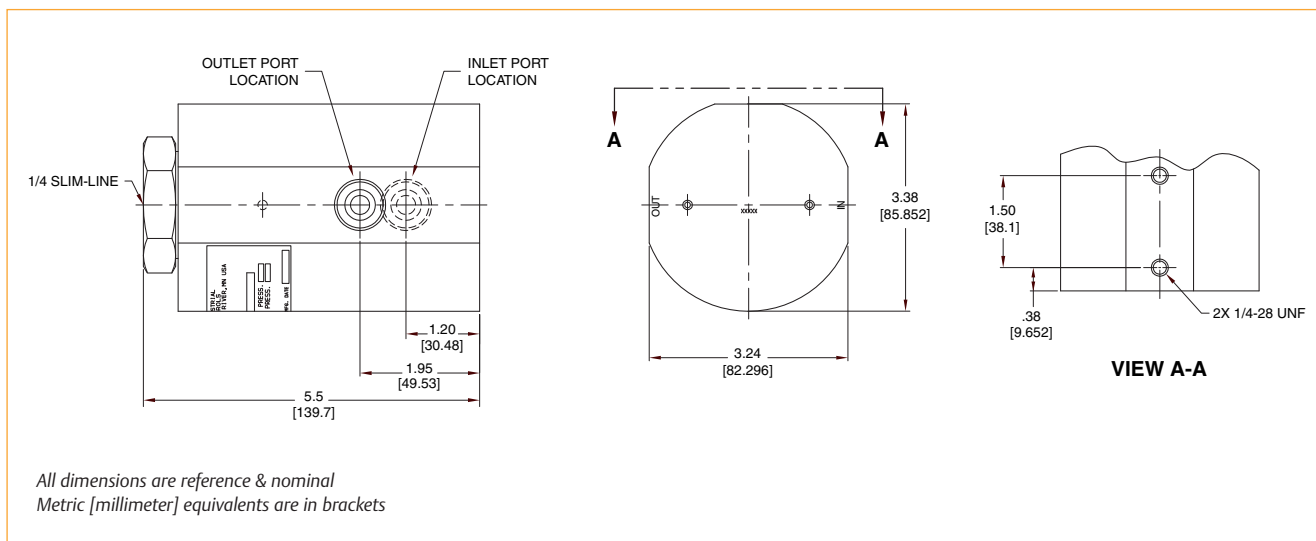
Applications

- Offshore Chemical Injection

Typical Scaling Application



56-2000 Series Regulator Drawing



56-2000 Series Regulator Part Number Selector

Repair Kits, Accessories & Modifications may be available for this product. Please contact TESCOM for more information.

Example for selecting a part number:

Dome Load

BASIC SERIES	MAXIMUM INLET PRESSURE ¹ (BODY MATERIAL)	MAXIMUM OUTLET PRESSURE SPRING BIAS PRESSURE	SOFT GOODS MATERIAL			INLET AND OUTLET PORT TYPE	INLET AND OUTLET PORT SIZE	FLOW CAPACITY	MAIN VALVE AND VENT SEAT	GAUGE PORT OPTIONS
			DYNAMIC ROTO-SEALS	STATIC O-RINGS	BACK-UP RINGS					
56-20	8 – 15,000 psig 1034 bar (17-4 SST) N – 15,000 psig 1034 bar (Nitronic 60)	0 – 200-15,000 psig 13.8-1034 bar 175-200 psig 12-13.8 bar	D – Buna-N	Buna-N	CTFE	6 – Medium Pressure	9 – 9/16"	2 – C _v = 0.06 3 – C _v = 0.12	7 – Vespel® SP1	0 – No gauge ports ← ○ →
<p>1. Pressure at which regulator is used must be compatible with the pressure rating of the regulator and port size/type provided.</p>										



WARNING! Do not attempt to select, install, use or maintain this product until you have read and fully understood the TESCOM Safety, Installation and Operation Precautions.

D56202089X012 © 2014 Emerson Process Management Regulator Technologies, Inc. All rights reserved. 12/2014.
Tescom, Emerson Process Management, and the Emerson Process Management design are marks of one of the Emerson Process Management group of companies. All other marks are the property of their respective owners.