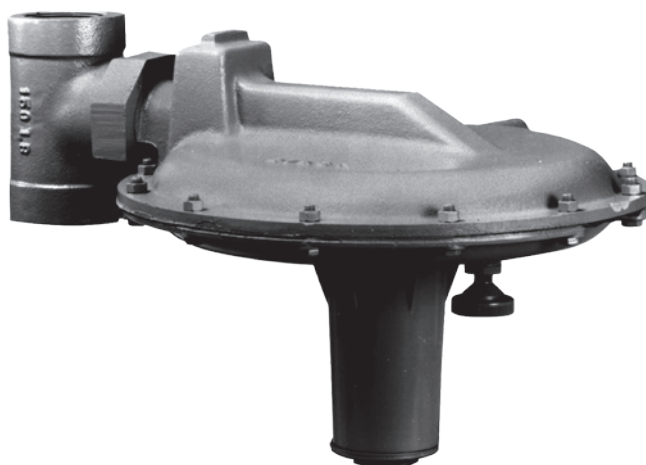


Type Y692 Gas Blanketing Regulator System



W5930-1

Figure 1. Type Y692 Low-Pressure Gas Blanketing Regulator

Introduction

An Accu-Pressure™ Gas Blanketing Regulator System reduces a high-pressure gas, such as Nitrogen, to maintain a protective environment above any liquid stored in a tank or vessel when the liquid is being pumped out. Also when the vessel is suddenly cooled, causing vapors inside the vessel to contract, the regulator system replaces the volume of contracting vapors with a volume of blanketing gas to prevent the internal vessel pressure from decreasing. In both cases, a slight positive vessel pressure prevents outside air, moisture and other contaminants from entering the vessel and the possible collapse of the vessel walls.

The Type Y692 (Figure 1) is a direct-operated regulator used for accurate pressure control on very low-pressure blanketing systems. Downstream pressure is sensed through a pitot tube installed in the lower casing of the regulator for units with internal pressure registration or through a downstream control line for units with external pressure registration. The Type Y692 is available in NPS 1-1/2 and 2 / DN 40 and 50 body sizes.

Features

- **Ease of Inspection and Maintenance**—The union nut connection between the body and actuator permits access to the disk and orifice by only removing the diaphragm casing assembly without removing the body from the line.
- **Accuracy of Control**—Large diaphragm areas provide more precise control even at low-pressure settings and the pitot tube also creates a dynamic boost that helps provide greater capacity.
- **Speed of Response**—The downstream pressure is sensed directly by the diaphragm through the pitot tube providing quick response.
- **Ease of Installation**—The Type Y692 is easy to install in the pipeline because no additional connections are required.



www.fisherregulators.com



Bulletin 74.1:Y692

Specifications

This section lists the specifications of the Type Y692 Gas Blanketing Regulator System. Factory specification, such as spring range and orifice size are stamped on the nameplate fastened on the regulator at the factory.

Available Configurations

Direct-operated pressure reducing regulator with external or internal pressure registration with seven outlet (control) pressure ranges from 1 in. w.c. to 7 psig / 2 mbar to 0.48 bar. Available in NPS 1-1/2 and 2 / DN 40 and 50 body sizes.

Body Sizes and End Connection Styles⁽¹⁾

Cast Iron: NPS 1-1/2 / DN 40, NPT, NPS 2 / DN 50, NPT or CL125 FF
Steel: NPS 1-1/2 or 2 / DN 40 or 50, NPT, SWE, CL150 RF, CL300 RF or PN 16/25/40
Stainless steel: NPS 1-1/2 or 2 / DN 40 or 50, NPT, CL150 RF, CL300 RF or PN 16/25/40

Maximum Inlet Pressure⁽²⁾

150 psig / 10.3 bar

Maximum Outlet (Casing) Pressure⁽²⁾

15 psig / 1.0 bar

Maximum Operating Outlet (Control) Pressure to Avoid Internal Part Damage⁽²⁾

3 psig / 0.21 bar above outlet (control) pressure setting

Control Pressure Ranges⁽²⁾

See Table 1

Flow Capacities

See Table 5

Relief Sizing Coefficients

See Table 6

Orifice Size

See Table 6

Pressure Registration

Internal (**standard**) or External

Spring Case Connection

1/4 NPT

Temperature Capabilities⁽²⁾

Nitrile (NBR):

-20 to 180°F / -29 to 82°C

Fluorocarbon (FKM):

0 to 300°F / -18 to 149°C

Perfluoroelastomer (FFKM):

-20 to 300°F / -29 to 149°C

Ethylene Propylene (EPDM):

-20 to 275°F / -29 to 135°C

IEC Sizing Coefficients

X_T : 0.775

F_D : 0.50

F_L : 0.89

Approximate Weights

Cast Iron Body: 45 lbs / 20 kg

Steel/Stainless steel Body: 57 lbs / 26 kg

Canadian Registration Number (CRN)

Approved

PED (Pressure Equipment Directive) Category

The Type Y692 may be used as a safety accessory with pressure equipment in the PED 97/23/EC Category I.

Construction Materials

Body, Union Nut, Spring Case and Lower

Casing Assembly: Cast iron, WCC steel, CF8M Stainless steel

Control Spring, Control Spring Seat, Split Ring and Diaphragm Plate: Plated steel

Diaphragm: Nitrile (NBR) (**standard**), Fluorocarbon (FKM), Ethylenepropylene (EPDM), Silicone (VMQ)

O-rings: Nitrile (NBR), Fluorocarbon (FKM), Perfluoroelastomer (FFKM), Ethylenepropylene (EPDM)

Orifice, Pusher Post, Pusher Post Connector, Lever Assembly, Stem and Pitot Tube: Stainless steel

Gasket: Composition

Disk Assembly: Nitrile (NBR) and Stainless steel, Fluorocarbon (FKM) and Stainless steel, Polytetrafluoroethylene (PTFE) and Stainless steel or Ethylenepropylene (EPDM) and Stainless steel

1. Fabricated by using slip-on flanges and socket welding nipples into body.

2. The pressure/temperature limits in this Bulletin and any applicable standard limitation should not be exceeded.

Table 1. Control Pressure Ranges

CONTROL PRESSURE RANGE WITH CASE BARREL POINTED DOWN		CONTROL SPRING COLOR CODE	CONTROL SPRING PART NUMBER	SPRING WIRE DIAMETER		SPRING FREE LENGTH	
				In.	mm	In.	mm
Light Spring Assembly	1 to 3 in. w.c. / 2 to 7 mbar ⁽²⁾⁽³⁾	Brown	1D892527022	0.109	2.77	6.12	155
	3 to 11 in. w.c. / 7 to 27 mbar ⁽²⁾⁽⁴⁾	Iridite	0B019727052	0.148	3.76	6.00	152
	6.5 in. w.c. to 1.2 psig / 16 mbar to 83 mbar ⁽⁵⁾	Green	0B019427052	0.187	4.75	6.00	152
	0.7 to 2 psig / 48 mbar to 0.14 bar	Blue	0B019627032	0.225	5.71	6.00	152
	1 to 3.2 psig / 69 mbar to 0.22 bar	Orange	0A081127202	0.250	6.35	6.00	152
Heavy spring Assembly	2 to 5.5 psig / 0.14 to 0.38 bar	Silver with green stripe	0Y066427022	0.363	9.22	6.00	152
	4 to 10 psig / 0.28 to 0.69 bar	Silver	1H802427032	0.406	10.3	6.00	152

1. Install with spring case pointing down to achieve low setpoints in these spring ranges.
 2. Do not use Fluorocarbon (FKM) diaphragm with these springs at diaphragm temperature lower than 60°F / 16°C.
 3. Installation with spring case pointing up will change outlet (control) pressure range to 3 to 5 in. w.c. / 7 to 12 mbar.
 4. Installation with spring case pointing up will change outlet (control) pressure range to 5.75 to 14 in. w.c. / 14 to 35 mbar.
 5. Installation with spring case pointing up will change outlet (control) pressure range to 7.5 in. w.c. to 1.3 psig / 19 to 90 mbar.

Table 2. Flow Rate Conversion⁽¹⁾

MULTIPLY MAXIMUM PUMP RATE OUT	BY	TO OBTAIN
U.S. GPM	8.021	SCFH
U.S. GPH	0.1337	SCFH
m ³ /hr	1.01	Nm ³ /H
Barrels/hr	5.615	SCFH
Barrels/day	0.2340	SCFH

1. Gas flow of blanketing gas to replace liquid pumped out.

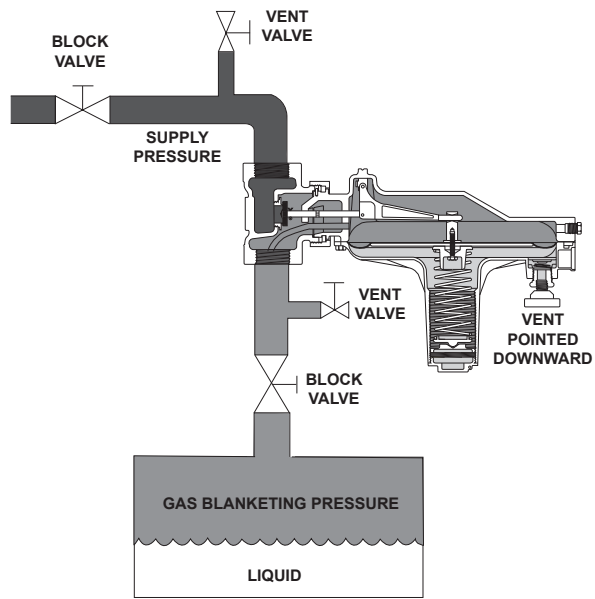
Table 3. Conversion Factors (for converting Nitrogen flow rates to other gas flow rates)

BLANKET GAS	SPECIFIC GRAVITY	CORRECTION FACTOR
Natural Gas	0.60	1.270
Air	1.00	0.985
Dry CO ₂	1.52	0.797

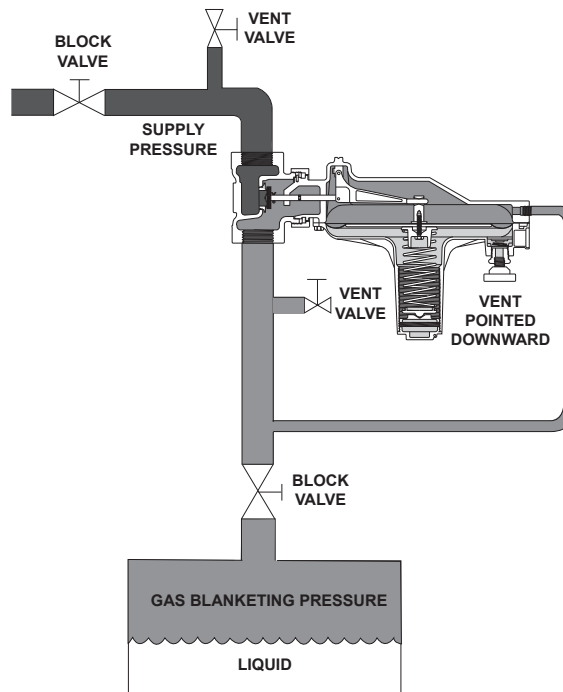
Correction Factor = $\frac{0.985}{\sqrt{SG}}$

Table 4. Gas Flow Required for Thermal Heating (Outbreathing) or Cooling (Inbreathing) per API 2000 (Interpolate for Intermediate size)

VESSEL CAPACITY			AIR FLOW RATE REQUIRED	
Barrel	Gallon	Liter	SCFH	Nm ³ /h
60	2500	9500	60	1.6
100	4200	16,000	100	2.7
500	21,000	79,500	500	1.3
1000	42,000	159,000	1000	26.8
2000	84,000	318,000	2000	53.6
3000	126,000	477,000	3000	80.4
4000	168,000	636,000	4000	107
5000	210,000	795,000	5000	134
10,000	420,000	1,590,000	10,000	268
15,000	630,000	2,385,000	15,000	402
20,000	840,000	3,180,000	20,000	536
25,000	1,050,000	3,975,000	24,000	643
30,000	1,260,000	4,769,000	28,000	750
35,000	1,470,000	5,564,000	31,000	831
40,000	1,680,000	6,359,000	34,000	911
45,000	1,890,000	7,154,000	37,000	992
50,000	2,100,000	7,949,000	40,000	1072
60,000	2,520,000	9,539,000	44,000	1179
70,000	2,940,000	11,129,000	48,000	1286
80,000	3,360,000	12,718,000	52,000	1394
90,000	3,780,000	14,308,000	56,000	1501
100,000	4,200,000	15,898,000	60,000	1608
120,000	5,040,000	19,078,000	68,000	1822
140,000	5,880,000	22,437,000	75,000	2010
160,000	6,720,000	25,437,000	82,000	2198
180,000	7,560,000	28,616,000	90,000	2412



TYPE Y692 WITH INTERNAL REGISTRATION



TYPE Y692 WITH EXTERNAL REGISTRATION

A6340

- INLET PRESSURE
- CONTROL PRESSURE (OUTLET PRESSURE)
- ATMOSPHERIC PRESSURE

Figure 2. Type Y692 Operational Schematics

Principle of Operation

The Type Y692 Gas Blanketing Regulator reduces a high-pressure gas to maintain a positive low-pressure of blanket gas over a stored liquid when the liquid is being pumped out of the vessel (see Figure 2). Also when the vessel (or tank) is suddenly cooled, causing vapors to contract, the regulator replaces the volume of contracting vapors with a volume of blanketing gas to prevent the internal vessel pressure from decreasing. In both cases, a positive vessel pressure prevents outside air from entering the vessel and reduces the possibility of atmospheric pressure collapsing the vessel.

Gas blanketing regulators respond to a slight decrease in internal vessel pressure by throttling open to increase the flow rate of gas into the vessel. When the vessel's liquid level has been lowered to the desired point and the vapor pressure re-established, the regulator throttles closed.

When the liquid level drops and vessel pressure decreases below the setting of the control spring, the spring force on the diaphragm opens the disk assembly to supply the required flow of gas to the vessel. When vessel pressure has been satisfied, control pressure tends to increase slightly, acting on the diaphragm. When the control (vessel) pressure exceeds the control spring setting, the diaphragm moves to close the disk assembly.

The Type Y692 Gas Blanketing Regulator provides a constant set pressure for accurate gas blanketing. When vessel pressure decreases below the control spring setpoint, the force of the spring moves the disk away from the orifice allowing gas to flow into the vessel. As the vessel pressure increases, the increase is sensed by the diaphragm through the pitot tube or control line. This movement of the diaphragm causes the disk to move toward the orifice, decreasing the flow of blanketing gas. When the vessel pressure reaches the system setpoint, the disk will seat against the orifice shutting off the flow of gas.

Installation

Install the Type Y692 regulator with the spring case barrel pointed down. This will assure that the lowest set pressure shown in Table 1 is achieved. Flow through the regulator body is indicated by the flow arrow cast on the body. If a block valve is required, install a full flow valve between the regulator and the blanketed vessel.

Sizing Tank Blanketing Systems

When sizing a gas blanketing regulator system for a low pressure blanketing application, you must consider the replacement of blanketing gas required for the liquid loss during pump out of the vessel and also the condensation/contraction of vessel vapors during atmospheric thermal cooling.

Direct Displacement

The direct displacement method should be used with extreme caution. The direct displacement method determines the amount of blanketing gas required to replace liquid pumped out of the tank. Direct displacement does not allow for fluctuating temperature or other factors that may affect pressure in the vapor space. This method is typically applied to tanks operating at constant temperature and containing non-flammable, non-volatile products.

$$Q_{\text{total}} = Q_{\text{pump}}$$

where,

Q_{total} = Required Flow Rate

Q_{pump} = Required Flow Rate to replace pumped out liquid from Table 1

API 2000

The American Petroleum Institute Standard 2000 (API 2000) sizing method accounts for liquid pump-out as well as contraction of tank vapors due to cooling. When using API methods:

$$Q_{\text{total}} = Q_{\text{pump}} + Q_{\text{thermal}}$$

where,

Q_{total} = Required Flow Rate

Q_{pump} = Required Flow Rate to replace pumped out liquid from Table 1

Q_{thermal} = Required Flow Rate due to thermal cooling. See Thermal Equations 1 to 4 below or Table 2.

Thermal Equations

For tanks up to 840,000 gallons / 3179 m³ capacity, use one of the following equations:

Equation 1:

$$Q_{\text{thermal}} [\text{SCFH Air}] = V_{\text{tank}} \times 0.0238$$

Equation 2:

$$Q_{\text{thermal}} [\text{SCFH Nitrogen}] = V_{\text{tank}} \times 0.0238 \times 1.015$$

Equation 3:

$$Q_{\text{thermal}} [\text{Nm}^3/\text{h Air}] = V_{\text{tank}} \times 0.169$$

Equation 1:

$$Q_{\text{thermal}} [\text{Nm}^3/\text{h Nitrogen}] = V_{\text{tank}} \times 0.169 \times 1.015$$

where,

For Equations 1 and 2: V_{tank} = tank volume, gallons

For Equations 3 and 4: V_{tank} = tank volume, m³

For tanks greater than 840,000 gallons / 3179 m³ capacity: See Table 2.

Depending on the method, there can be a significant difference in the calculated required capacity. **No matter which method is used, the tank must be equipped with supplemental venting to protect the**

tank, product and personnel in cases of equipment failure, fire exposure or other conditions that could cause the tank pressure or vacuum to exceed operating limits.

Sizing can be done by following these steps:

1. Determine the gas flow rate required to replace the liquid being pumped out (see Table 2).
2. Using the established procedures from the American Petroleum Institute Standard 2000 (API 2000), determine the gas flow rate due to "inbreathing" caused by atmospheric thermal cooling (see Table 4).
3. Add the requirements of 1 and 2 and select the regulator size, based on total capacity required from Table 6.

Sample sizing problem for blanketing applications:

Service Conditions:

Vessel Capacity 42,000 gallons / 159,000 L
Pump In/Out Capacity . . . 150 gallons/minute / 570 L/m
Inlet Pressure Source 20 psig / 1.4 bar Nitrogen
Desired Blanket Setpoint 1 in. w.c. / 2 mbar

Sizing and Selection Methodology:

1. From Table 2 the desired air flow rate due to pump out equals 150 GPM x 8.021 = 1203 SCFH / 32.2 Nm³/h air.
2. From Table 4, the required air flow due to thermal cooling = 1000 SCFH / 26.8 Nm³/h air.
3. Total flow required for pump out and thermal cooling is 1203 + 1000 = 2203 SCFH / 59.0 Nm³/h air.
4. Convert to nitrogen by dividing the total air flow by the square root of the specific gravity of nitrogen: 2203 ÷ 0.97 = 2248 SCFH / 60.2 Nm³/h nitrogen (See Table 3 for the conversion).
5. From Table 5, a Type Y692 in either an NPS 1-1/2 and 2 / DN 40 and 50 body sizes and a 3/8 in. / 9.5 mm orifice will flow 3620 SCFH / 97.0 Nm³/h nitrogen at 20 psig / 1.4 bar inlet pressure. This satisfies the required flow of 2248 SCFH / 60.2 Nm³/h nitrogen.

Capacity Information

Table 5 gives the typical regulating capacities at selected inlet pressures and outlet (control) pressure settings. Flows are in SCFH (60°F and 14.7 psia) of 0.97 specific gravity nitrogen. For gases of other specific gravities, multiply the given capacity of nitrogen by 0.985 and divide the given capacity by the square root of the appropriate specific gravity of the gas required. Then, if capacity is desired in normal cubic meters per hour at 0°C and 1.01325 bar, multiply SCFH by 0.0268.

To determine wide-open flow capacities for relief sizing, use the following formula:

$$Q = \sqrt{\frac{520}{GT}} C_g P_1 \text{SIN} \left(\frac{3417}{C_1} \sqrt{\frac{\Delta P}{P_1}} \right) \text{DEG}$$

where,

- C_g = gas sizing coefficient from Table 6
- C_1 = C_g/C_v or 35 from Table 6
- G = gas specific gravity (air = 1.0)
- $P_{1\text{abs}}$ = inlet pressure, psia (add 14.7 psi to gauge inlet pressure to obtain absolute inlet pressure)
- Q = flow rate, SCFH
- T = absolute temperature in °Rankine of gas at inlet

Ordering Information

When ordering, specify:

1. Type of gas being controlled (nitrogen fuel gas, etc.); list any factors such as impurities in the gas that may affect compatibility of the gas with the regulator trim parts.
2. Specific gravity of the gas
3. Temperature of the gas
4. Range of flowing inlet pressures to regulator
5. Flow rates
 - a) Minimum controlled flow
 - b) Normal flow
 - c) Maximum flow
6. Line size and end connection size of adjacent piping. Adjacent downstream piping must be the same size as the regulator body or longer.
7. Vessel size

Bulletin 74.1:Y692

Table 5. Blanketing Regulating Capacities in SCFH / Nm³/h of 0.97 Specific Gravity Nitrogen

BODY SIZE	OUTLET PRESSURE RANGE ⁽¹⁾ , ACCURACY AND SPRING COLOR	OUTLET PRESSURE SETTING	INLET PRESSURE		ORIFICE SIZE, IN. / mm													
					1/4 / 6.4		3/8 / 9.5		1/2 / 13		3/4 / 19		1 / 25		1-3/16 / 30			
					psig	bar	SCFH	Nm ³ /h	SCFH	Nm ³ /h	SCFH	Nm ³ /h	SCFH	Nm ³ /h	SCFH	Nm ³ /h	SCFH	Nm ³ /h
NPS 1-1/2 / DN 40	1 to 3 in. w.c. / 2 to 7 mbar -1 to 2 in. w.c. / -2 to 5 mbar Brown	1 in. w.c. / 2 mbar	2	0.14	360	9.7	970	26.0	1750	46.9	3280	87.9	4750	127	3650	97.8	2840	76.1
			5	0.34	680	18.2	1560	41.8	2800	75.0	3880	104	3650	97.8				
			10	0.69	1030	27.6	2350	63.0	4210	113	3880	104	3650	97.8				
			20	1.4	1580	42.3	3620	97.0	4900	131	3700	99.2						
			40	2.8	2500	67.0	3620	97.0	4900	131								
			60	4.1	3410	91.4	3620	97.0										
		80	5.5	4320	116													
		100	6.9	4510	121													
		125	8.6	4510	121													
		150	10.3	4510	121													
		2	0.14	360	9.7	970	26.0	1750	46.9	3280	87.9	4750	127	3650	97.8	2840	76.1	
		5	0.34	680	18.2	1560	41.8	2800	75.0	3880	104	3650	97.8					
	10	0.69	1030	27.6	2350	63.0	4210	113	3880	104	3650	97.8						
	20	1.4	1580	42.3	3620	97.0	4900	131	3700	99.2								
	40	2.8	2500	67.0	3620	97.0	4900	131										
	60	4.1	3410	91.4	3620	97.0												
	80	5.5	4320	116														
	100	6.9	4510	121														
	125	8.6	4510	121														
	150	10.3	4510	121														
	3 to 11 in. w.c. / 7 to 27 mbar -1 to 2 in. w.c. / -2 to 5 mbar Iridite	7 in. w.c. / 17 mbar	0.5	0.03							950	25.5	1180	31.6	1330	35.6		
			1	0.07	330	8.8	630	16.9	870	23.3	1340	35.9	1810	48.5	2290	61.4		
			2	0.14	470	12.6	950	25.5	1300	34.8	2260	60.6	3160	84.7	4730	127		
			5	0.34	770	20.6	1580	42.3	2520	67.5	6070	163	6100	163	6100	163		
13			0.9	1270	34.0	2590	69.4	4900	131	6100	163	6100	163					
25			1.7	1850	49.6	4100	110	6100	163	6100	163							
50		3.4	3040	81.5	6100	163	6100	163										
100		6.9	5370	144	6100	163												
150		10.3	6100	163														
2		0.14			789	21.1	1260	33.8	2050	54.9	2660	71.3	3220	86.3				
6		0.41			1740	46.6	2760	74.0	4730	127	9790	182	7530	202				
14		0.97			3156	84.6	5050	121	9470	254	12,500	335						
30	2.1			4890	131	8050	216	13,360	358									
50	3.4			7120	191	11,990	321											
150	10.3			18,030	483													
1 to 3.2 psig / 69 mbar to 0.22 bar 0.6 psig / 41 mbar Orange	3 psig / 0.21 bar	3	0.21									2450	64.7	2840	76.1			
		7	0.48			1550	41.5	2370	63.5	3950	106	5130	137	6312	169			
		14	0.97			2370	63.5	3700	99.2	7020	188	7470	200					
		30	2.1			4500	121	7380	198	11,680	313							
		50	3.4			7020	188	10,750	288									
		150	10.3			17,250	462											
2 to 5.5 psig / 0.14 to 0.38 bar 0.5 psig / 34 mbar Silver with green stripe	5 psig / 0.34 bar	10	0.69	590	15.8	950	25.5	1180	31.6	1810	48.5	2200	59.0	2370	63.5			
		15	1.0	789	21.1	1030	27.6	1580	42.3	2370	63.5	2840	76.1	3310	88.7			
		20	1.4	950	25.5	1380	37.0	2200	59.0	2920	78.3	3310	88.7					
		35	2.4	1420	38.1	1970	52.8	2920	78.3	4020	108							
		60	4.1	2210	59.2	2920	78.3	4730	127									
		75	5.2	2760	74.0	3470	93.0	5680	152									
100	6.9	3550	95.1	5130	137													
2 to 5.5 psig / 0.14 to 0.38 bar 1 psig / 69 mbar Silver with green stripe	5 psig / 0.34 bar	10	0.69	950	25.5	1500	40.2	2050	54.9	3230	86.6	4100	110	4580	123			
		15	1.0	1180	31.6	1890	50.7	2760	74.0	4100	110	5520	148	6310	169			
		20	1.4	1380	37.0	2200	59.0	3790	102	5130	137	6310	169					
		35	2.4	1970	52.8	3310	88.7	5130	137	7730	207							
		60	4.1	3160	84.7	5290	142	7890	211									
		75	5.2	4100	110	6390	171	10,260	275									
100	6.9	5130	137	8680	233													
4 to 10 psig / 0.28 to 0.69 bar 1 psig / 69 mbar Silver	10 psig / 0.69 bar	15	1.0	708	19.0	1023	27.4	1338	35.9	1810	48.5	2518	67.5	2990	80.1			
		20	1.4	944	25.3	1377	36.9	1967	52.7	2597	69.9	3148	84.4	4564	122			
		25	1.7	1102	29.5	1652	44.3	2203	59.0	3148	84.4	4013	108					
		40	2.8	1810	48.5	2203	59.0	2912	78.0	4720	127							
		60	4.1	2361	63.3	3148	84.4	4643	124									
		75	5.2	2754	73.8	3541	94.9	5666	152									
100	6.9	3541	94.9	5193	139													
4 to 10 psig / 0.28 to 0.69 bar 2 psig / 0.14 bar Silver	10 psig / 0.69 bar	15	1.0	1023	27.4	1731	46.4	2518	67.5	3620	97.0	4721	127	6295	169	6295	169	
		20	1.4	1259	33.7	2125	57.0	3384	90.7	5115	137	6295	169	7869	211			
		25	1.7	1574	42.2	2675	71.7	3777	101	6453	173	7082	190					
		40	2.8	2282	61.2	3934	105	5272	141	8656	232							
		60	4.1	2990	80.1	5351	143	8656	232									
		75	5.2	4013	108	6531	175	10,230	274									
100	6.9	5115	137	8656	232													

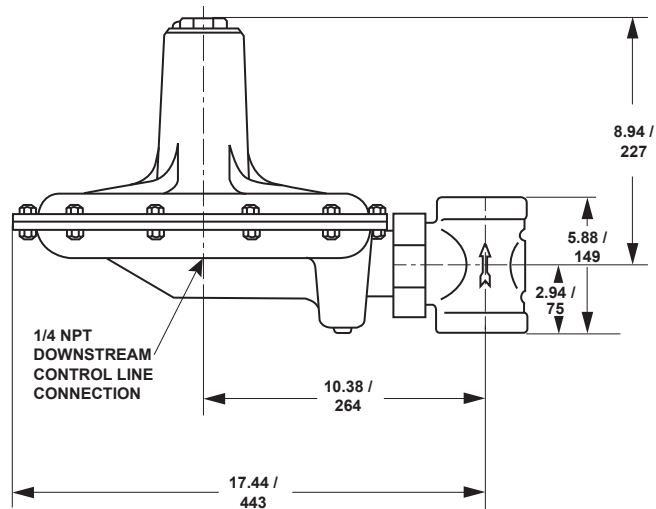
1. Spring ranges based on regulator installation with the spring case pointed down.
 □ - Light shaded areas show where indicated droop would be exceeded regardless of capacity.
 ■ - Dark shaded areas show where maximum operating inlet pressure for a given orifice size is exceeded.

- continued -

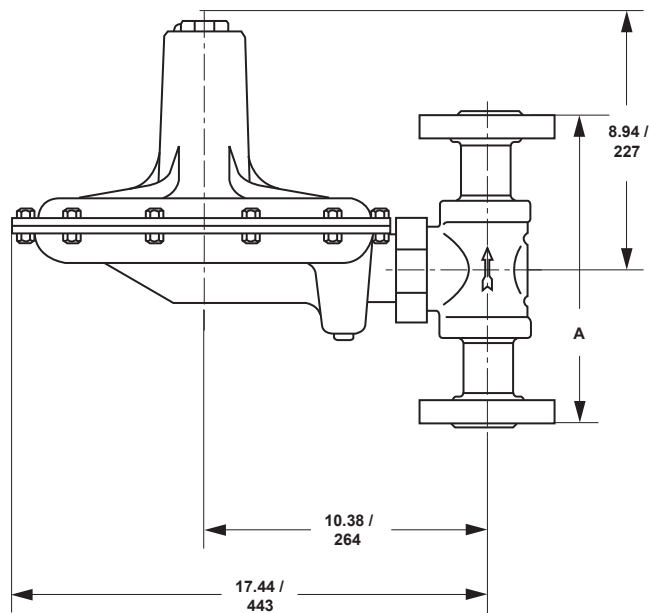
Table 5. Blanketing Regulating Capacities in SCFH / Nm³/h of 0.97 Specific Gravity Nitrogen (continued)

BODY SIZE	OUTLET PRESSURE RANGE ⁽¹⁾ , ACCURACY AND SPRING COLOR	OUTLET PRESSURE SETTING	INLET PRESSURE		ORIFICE SIZE, IN. / mm											
					1/4 / 6.4		3/8 / 9.5		1/2 / 13		3/4 / 19		1 / 25		1-3/16 / 30	
					psig	bar	SCFH	Nm ³ /h	SCFH	Nm ³ /h	SCFH	Nm ³ /h	SCFH	Nm ³ /h	SCFH	Nm ³ /h
NPS 2 / DN 50	1 to 3 in. w.c. / 2 to 7 mbar -1 to 2 in. w.c. / -2 to 5 mbar Brown	1 in. w.c. / 2 mbar	2	0.14	320	8.6	930	24.9	1750	46.9	4000	107	5010	134	5930	159
			5	0.34	680	18.2	1560	41.8	2800	75.0	6050	162	4630	124	4260	114
			10	0.69	1030	27.6	2350	63.0	4210	113	3650	97.8	4060	109		
			20	1.4	1580	42.3	3620	97.0	3450	92.5	3650	97.8				
			40	2.8	2500	67.0	4420	118	3450	92.5						
			60	4.1	3410	91.4	4420	118								
			80	5.5	3650	97.8										
			100	6.9	3650	97.8										
			125	8.6	3650	97.8										
			150	10.3	3650	97.8										
			2	0.14	320	8.6	930	24.9	1750	46.9	4000	107	5010	134	5930	159
			5	0.34	680	18.2	1560	41.8	2800	75.0	6050	162	4630	124	4260	114
			10	0.69	1030	27.6	2350	63.0	4210	113	3650	97.8	4060	109		
			20	1.4	1580	42.3	3620	97.0	3450	92.5	3650	97.8				
	40	2.8	2500	67.0	4420	118	3450	92.5								
	60	4.1	3410	91.4	4420	118										
	80	5.5	3650	97.8												
	100	6.9	3650	97.8												
	125	8.6	3650	97.8												
	150	10.3	3650	97.8												
	3 to 11 in. w.c. / 7 to 27 mbar -1 to 2 in. w.c. / -2 to 5 mbar Iridite	7 in. w.c. / 17 mbar	0.5	0.03							950	25.5	1180	31.6	1330	36.5
			1	0.07	330	8.8	630	16.9	870	23.3	1340	35.9	1810	48.5	2290	61.4
			2	0.14	470	12.6	950	25.5	1300	34.8	2260	60.6	3160	84.7	4730	127
			5	0.34	770	20.6	1580	42.3	2520	67.5	6080	163	7890	211	7890	211
			13	0.90	1270	34.0	2590	69.4	4900	131	7890	211	7890	211		
			25	1.7	1850	49.6	4100	110	7180	192	7890	211				
			50	3.4	3040	81.5	6700	180	7890	211						
			100	6.9	5370	144	7890	211								
150			10.3	7890	211											
6.5 in. w.c. to 1.2 psig / 16 to 83 mbar, Green or 0.7 to 2 psig / 48 mbar to 0.14 bar, Blue			1 psig / 69 mbar	2	0.14			1030	27.6	1340	35.9	2450	65.7	3230	86.6	3390
	6	0.41				1970	52.8	2840	76.1	5680	152	7730	207	8760	235	
	14	0.97				3390	90.9	5130	137	10,650	285	13,490	362			
	30	2.1				5130	137	8130	218	16,730	448					
	50	3.4				7120	191	11,990	321							
0.2 psig / 14 mbar	3 psig / 0.21 bar	3	0.21									2550	68.3	3050	81.7	
		7	0.48			1740	46.6	2600	69.7	4730	127	5880	158	7140	191	
		14	0.97			3310	88.7	4180	112	770	206	10,450	280			
		30	2.1			5130	137	7930	213	14,480	388					
		50	3.4			7500	201	11,400	306							
0.6 psig / 41 mbar Orange	5 psig / 0.34 bar	15	0.69	590	15.8	950	25.5	1180	31.6	1810	48.5	2200	59.0	2370	63.5	
		10	1.0	789	21.1	1030	27.6	1580	42.3	2370	63.5	2840	76.1	3310	88.7	
		20	1.4	950	25.5	1380	37.0	2200	59.0	2920	78.3	2920	78.3			
		35	2.4	1420	38.1	1970	52.8	2920	78.3	4020	108					
		60	4.1	2210	59.2	2920	78.3	4730	127							
2 to 5.5 psig / 0.14 to 0.38 bar 0.5 psig / 34 mbar Silver with green stripe	5 psig / 0.34 bar	75	5.2	2760	74.0	3470	93.0	5680	152							
		100	6.9	3550	95.1	5130	137									
		10	0.69	950	25.5	1500	40.2	2050	54.9	4100	110	4100	110	4580	123	
		15	1.0	1180	31.6	1890	50.7	2760	74.0	5520	148	5520	148	6310	169	
		20	1.4	1380	37.0	2200	59.0	3790	102	6310	169	6310	169			
2 to 5.5 psig / 0.14 to 0.38 bar 1 psig / 69 mbar Silver with green stripe	5 psig / 0.34 bar	35	2.4	1970	52.8	2050	54.9	5130	137							
		60	4.1	3160	84.7	5290	142	7890	207							
		75	5.2	4100	110	6390	171	10,260	275							
		100	6.9	5130	137	8680	233									
		15	1.0	708	19.0	1023	27.4	1338	35.9	2518	67.5	2518	67.5	2990	80.1	
4 to 10 psig / 0.28 to 0.69 bar 1 psig / 69 mbar Silver	10 psig / 0.69 bar	20	1.4	944	25.3	1377	36.9	1967	52.7	3148	84.4	3148	84.4	4564	122	
		25	1.7	1102	29.5	1652	44.3	2203	59.0	4013	108	4013	108			
		40	2.8	1810	48.5	2203	59.0	2912	78.0							
		60	4.1	2361	63.3	3148	84.4	4643	124							
		75	5.2	2754	73.8	3541	94.9	5666	152							
4 to 10 psig / 0.28 to 0.69 bar 2 psig / 0.14 bar Silver	10 psig / 0.69 bar	100	6.9	3541	94.9	5193	139									
		15	1.0	1023	27.4	1731	46.4	2518	67.5	4721	127	4721	127	6295	169	
		20	1.4	1259	33.7	2125	57.0	3384	90.7	6295	169	6295	169	7869	211	
		25	1.7	1574	42.2	2675	71.7	3777	101	7082	190	7082	190			
		40	2.8	2282	61.2	3934	105	5272	141							
60	4.1	2990	80.1	5351	143	8656	232									
75	5.2	4013	108	6531	175	10,230	274									
100	6.9	5115	137	8656	232											

1. Spring ranges based on regulator installation with the spring case pointed down.
 [Light shaded area] - Light shaded areas show where indicated droop would be exceeded regardless of capacity.
 [Dark shaded area] - Dark shaded areas show where maximum operating inlet pressure for a given orifice size is exceeded.



NPT DIMENSIONS



IN. /
mm

A - CAST IRON FLANGES ARE 10 IN. / 254 mm FACE-TO-FACE; STEEL, STAINLESS STEEL AND HASTELLOY® C FLANGES ARE 14 IN. / 356 mm FACE-TO-FACE.

FLANGED DIMENSIONS

Figure 3. Dimensions

Table 6. Orifice Sizes and Coefficients for Relief Valve Sizing

BODY SIZE		ORIFICE SIZE		WIDE-OPEN C _v	WIDE-OPEN C _g	C ₁
NPS	DN	In.	mm			
1-1/2 and 2	40 and 50	1/4	6.4	1.51	53.0	35
		3/8	9.5	3.14	111	
		1/2	13	5.43	190	
		3/4	19	11.9	415	
		1	25	20	700	
		1-3/16	30	26	910	

Hastelloy® C is a mark owned by Haynes International, Inc.

Ordering Information

Carefully review the Specifications section, then specify the desired selection on the Ordering Guide. If a pilot

setpoint is not requested, the regulator will be factory set at the approximate midrange.

Ordering Guide

Body Size (Select One)

- NPS 1-1/2 / DN 40
- NPS 2 / DN 50

Body Material and End Connection Style (Select One)

Cast Iron

- NPT***
- CL125 FF (NPS 2 / DN 50 body only)*

WCC Steel

- NPT***
- SWE**
- CL150 RF**
- CL300 RF**
- PN 16/25/40*

CF8M Stainless Steel

- NPT***
- CL150 RF**
- CL300 RF**
- PN 16/25/40 RF*

Spring Case Material (Select One)

- Cast iron***
- WCC steel***
- CF8M Stainless steel**

Diaphragm Case Material (Select One)

- Cast iron***
- WCC steel***
- CF8M Stainless steel**

Trim Material (Select One)

- 304 Stainless steel***
- 316 Stainless steel**

Diaphragm Material (Select One)

- Nitrile (NBR) **(standard)*****
- Fluorocarbon (FKM)***
- Ethylenepropylene (EPDM)***
- Silicone (VMQ)***

Disk Material (Select One)

- Nitrile (NBR) **(standard)*****
- Fluorocarbon (FKM)***
- Polytetrafluoroethylene (PTFE)***
- Ethylenepropylene (EPDM)***

Orifice Size (Select One)

- 1/4 in. / 6.4 mm***
- 3/8 in. / 9.5 mm***
- 1/2 in. / 13 mm***
- 3/4 in. / 19 mm***
- 1 in. / 25 mm***
- 1-3/16 in. / 30 mm***

Outlet Pressure Range (Select One)

- 1 to 3 in. w.c. / 2 to 7 mbar, Brown***
- 3 to 11 in. w.c. / 7 to 27 mbar, Iridite***
- 6.5 in. w.c. to 1.2 psig / 16 to 83 mbar, Green***
- 0.7 to 2 psig / 48 mbar to 0.14 bar, Blue***
- 1 to 3.2 psig / 69 mbar to 0.22 bar, Orange***
- 2 to 5.5 psig / 0.14 to 0.38 bar, Silver with Green stripe***
- 4 to 10 psig / 0.28 to 0.69 bar, Silver***

Pressure Registration (Select One)

- Internal***
- External**

PTFE Diaphragm Protector (Optional)

- Yes

CRN (Canadian Registration Number) Required (Optional)

- Yes

PED (Pressure Equipment Directive) Conformity (Optional)

- Yes

Replacement Parts Kit (Optional)

- Yes, send one replacement parts kit to match this order.

Ordering Guide (continued)

Regulators Quick Order Guide	
***	Readily Available for Shipment
**	Allow Additional Time for Shipment
*	Special Order, Constructed from Non-Stocked Parts. Consult your local Sales Office for Availability.
Availability of the product being ordered is determined by the component with the longest shipping time for the requested construction.	

Tank Blanketing Specification Worksheet	
Application Specifications:	
Tank Size	_____
Pump In Rate	_____
Pump Out Rate	_____
Blanketing Gas (Type and Specific Gravity)	_____
Pressure Requirements:	
Maximum Inlet Pressure (P_{1max})	_____
Minimum Inlet Pressure (P_{1min})	_____
Control Pressure Setting (P_2)	_____
Maximum Flow (Q_{max})	_____
Accuracy Requirements:	
<input type="checkbox"/> 0.25 in. w.c. / 0.6 mbar	<input type="checkbox"/> 0.5 in. w.c. / 1 mbar
<input type="checkbox"/> 1 in. w.c. / 2 mbar	<input type="checkbox"/> 2 in. w.c. / 5 mbar
<input type="checkbox"/> Other _____	
Other Specifications:	
Is a vapor recovery regulator required? <input type="checkbox"/> Yes <input type="checkbox"/> No	
Special Material Requirements: <input type="checkbox"/> Ductile Iron <input type="checkbox"/> Steel	
<input type="checkbox"/> Stainless steel <input type="checkbox"/> Other _____	
Other Requirements: _____	

Industrial Regulators

Emerson Process Management Regulator Technologies, Inc.

USA - Headquarters
McKinney, Texas 75070 USA
Tel: +1 800 558 5853
Outside U.S. +1 972 548 3574

Asia-Pacific
Shanghai 201206, China
Tel: +86 21 2892 9000

Europe
Bologna 40013, Italy
Tel: +39 051 419 0611

Middle East and Africa
Dubai, United Arab Emirates
Tel: +971 4811 8100

Natural Gas Technologies

Emerson Process Management Regulator Technologies, Inc.

USA - Headquarters
McKinney, Texas 75070 USA
Tel: +1 800 558 5853
Outside U.S. +1 972 548 3574

Asia-Pacific
Singapore 128461, Singapore
Tel: +65 6770 8337

Europe
Bologna 40013, Italy
Tel: +39 051 419 0611
Chartres 28008, France
Tel: +33 2 37 33 47 00

Middle East and Africa
Dubai, United Arab Emirates
Tel: +971 4811 8100

TESCOM

Emerson Process Management Tescom Corporation

USA - Headquarters
Elk River, Minnesota 55330-2445, USA
Tels: +1 763 241 3238
+1 800 447 1250

Europe
Selmsdorf 23923, Germany
Tel: +49 38823 31 287

Asia-Pacific
Shanghai 201206, China
Tel: +86 21 2892 9499

For further information visit www.fisherregulators.com

The Emerson logo is a trademark and service mark of Emerson Electric Co. All other marks are the property of their prospective owners. Fisher is a mark owned by Fisher Controls International LLC, a business of Emerson Process Management.

The contents of this publication are presented for informational purposes only, and while every effort has been made to ensure their accuracy, they are not to be construed as warranties or guarantees, express or implied, regarding the products or services described herein or their use or applicability. We reserve the right to modify or improve the designs or specifications of such products at any time without notice.

Emerson Process Management Regulator Technologies, Inc. does not assume responsibility for the selection, use or maintenance of any product. Responsibility for proper selection, use and maintenance of any Emerson Process Management Regulator Technologies, Inc. product remains solely with the purchaser.