

Introduction

This installation guide provides instructions for installation, startup, and adjustment. To receive a copy of the instruction manual, contact your local Fisher Sales Office or Sales Representative or view a copy at www.FISHERregulators.com. For further information refer to:

Type 1367 Instruction Manual, form 5220, D100343X012.

This installation guide provides basic information on the Type 1367 high-pressure instrument supply system. For complete adjustment, maintenance, and parts information on the individual components of this system, refer to separate manuals for the Type 67CF and 1301F regulators, Type 252 filter, and Type H800 relief valve.

The Type 1367 high-pressure instrument supply system takes a pressure of up to 138 bar (2000 psig) and reduces it to a controlled pressure to be used for supplying a pneumatic instrument. This system consists of the following:

- A Type 252 aluminum extended body filter.
- A first-stage Type 1301F regulator, with bracket for mounting on an actuator yoke or casing.
- A Type H120 relief valve, elbow-mounted in the side outlet of the Type 1301F regulator.
- A second-stage Type 67CF filter-style regulator, nipple-mounted in the outlet of the Type 1301F regulator.
- A Type H800 relief valve, nipple-mounted in the outlet of the Type 67CF regulator

P.E.D. Categories

This product may be used as a safety accessory with pressure equipment in the following Pressure Equipment Directive 97/23/EC categories. It may also be used outside of the Pressure Equipment Directive using sound engineering practice (SEP) per table below.

PRODUCT SIZE	CATEGORIES	FLUID TYPE
DN 6 (1/4-inch)	SEP	1

Specifications

Connection Size

Inlet and Outlet: DN 6 (1/4-inch) NPT screwed
Type H800 Vent: DN 15 (1/2-inch) NPT screwed with removable screen

Maximum Inlet Pressure⁽¹⁾

138 bar (2000 psig)

Outlet (Supply) Pressure Range⁽¹⁾

0,34 to 2,4 bar (5 to 35 psig)

Maximum Outlet (Supply) Pressure with Type 67CF Regulator Failed Wide-Open and Type H800 Relief Valve Relieving⁽¹⁾

3,4 bar (50 psig)

1. The pressure/temperature limits in this installation guide and any applicable standard or code limitation should not be exceeded.

Proof Test Pressure

All Pressure Retaining Components have been proof tested per Directive 97/23/EC - Annex 1, Section 7.4

Temperature Capabilities⁽¹⁾

-29 to 66°C (-20 to 150°F)

Installation



WARNING

Only qualified personnel should install or service a regulator. Regulators should be installed, operated, and maintained in accordance with international and applicable codes and regulations, and Fisher instructions.

If the regulator vents fluid or a leak develops in the system, it indicates that service is required. Failure to take the regulator out of service immediately may create a hazardous condition.

Personal injury, equipment damage, or leakage due to escaping fluid or bursting of pressure-containing parts may result if this regulator is overpressured or is installed where service conditions could exceed the limits given in the Specifications section, or where conditions exceed any ratings of the adjacent piping or piping connections.

To avoid such injury or damage, provide pressure-relieving or pressure-limiting devices (as required by the appropriate code, regulation, or standard) to prevent service conditions from exceeding limits.

Additionally, physical damage to the regulator could result in personal injury and property damage due to escaping fluid. To avoid such injury and damage, install the regulator in a safe location.

Clean out all pipelines before installation of the regulator and check to be sure the regulator has not been damaged or has collected foreign material during shipping. For NPT bodies, apply pipe compound to the male pipe threads. For flanged bodies, use suitable line gaskets and approved piping and bolting practices. Install the regulator in any position desired, unless otherwise specified, but be sure flow through the body is in the direction indicated by the arrow on the body.

Note

It is important that the regulator be installed so that the vent hole in the spring case is unobstructed at all times. For outdoor installations, the regulator should be located away from vehicular traffic and positioned so that water, ice, and other foreign materials cannot enter the spring case through the vent. Avoid placing the regulator beneath eaves or downspouts, and be sure it is above the probable snow level.



Type 1367

Overpressure Protection

The recommended pressure limitations are stamped on the regulator nameplate. Some type of overpressure protection is needed if the actual inlet pressure exceeds the maximum operating outlet pressure rating. Overpressure protection should also be provided if the regulator inlet pressure is greater than the safe working pressure of the downstream equipment.

Regulator operation below the maximum pressure limitations does not preclude the possibility of damage from external sources or debris in the line. The regulator should be inspected for damage after any overpressure condition.

Startup

The regulator is factory set at approximately the midpoint of the spring range or the pressure requested, so an initial adjustment may be required to give the desired results. With proper installation completed and relief valves properly adjusted, slowly open the upstream and downstream shutoff valves.

Adjustment

To change the outlet pressure, remove the closing cap or loosen the locknut and turn the adjusting screw clockwise to increase outlet pressure or counterclockwise to decrease pressure. Monitor the outlet pressure with a test gauge during the adjustment. Replace the closing cap or tighten the locknut to maintain the desired setting.

Taking Out of Service (Shutdown)



WARNING

To avoid personal injury resulting from sudden release of pressure, isolate the regulator from all pressure before attempting disassembly.

Parts List

Key	Description
1	Type 252 Filter
2	Type 1301F Regulator For yoke mounting For casing mounting
3	Type H120 Relief Valve
4	Type 67CF Regulator
5	Type H800 Relief Valve
6	Pipe Nipple
7	Street Elbow

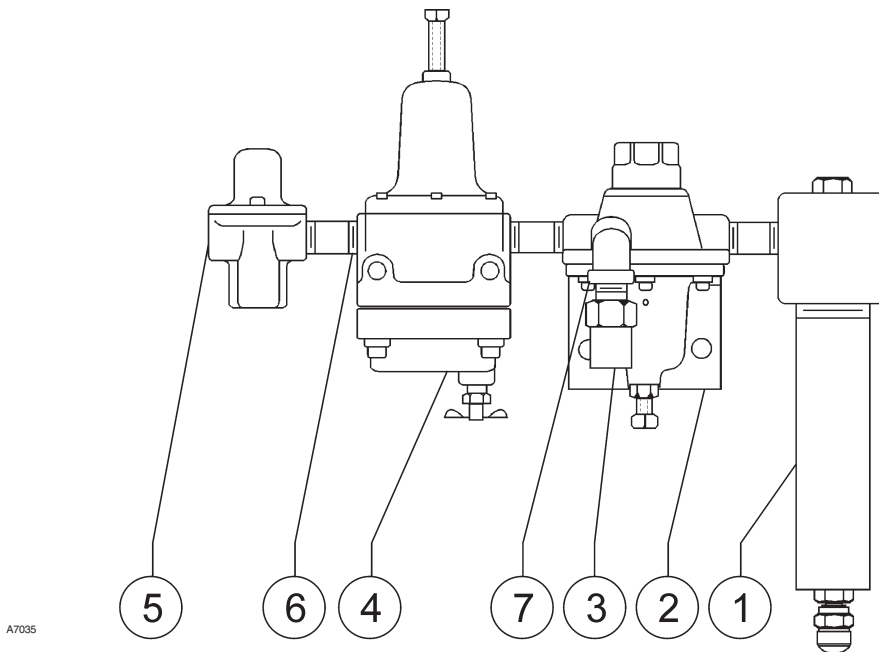


Figure 1. Type 1367 Instrument Supply System

©Fisher Controls International, Inc., 2002; All Rights Reserved

Fisher and Fisher Regulators are marks owned by Fisher Controls International, Inc. The Emerson logo is a trade mark and service mark of Emerson Electric Co. All other marks are the property of their respective owners.

The contents of this publication are presented for informational purposes only, and while every effort has been made to ensure their accuracy, they are not to be construed as warranties or guarantees, express or implied, regarding the products or services described herein or their use or applicability. We reserve the right to modify or improve the designs or specifications of such products at any time without notice.

For information, contact Fisher Controls, International:

Within USA (800) 588-5853 – Outside USA (972) 542-0132

France – (33) 23-733-4700

Singapore – (65) 770-8320

Mexico – (52) 57-28-0888

Printed in U.S.A.

www.FISHERregulators.com

