

DVC6200 or DVC2000 Digital Valve Controller on 2052 Size 1, 2 & 3 Actuator (End Mount)

Mounting Instructions

D103454X012
February 2011

Use these instructions to mount a Fisher® FIELDVUE™ DVC6200 or DVC2000 digital valve controller on Fisher 2052, size 1, 2, and 3 actuator.

WARNING

Avoid personal injury or property damage from sudden release of process pressure or bursting of parts. Before performing any maintenance operations:

- **Always wear protective clothing and eyewear.**
- **Do not remove the actuator from the valve while the valve is still pressurized.**
- **Disconnect any operating lines providing air pressure, electric power, or a control signal to the actuator. Be sure the actuator cannot suddenly open or close the control valve.**
- **Use bypass valves or completely shut off the process to isolate the control valve from process pressure. Relieve process pressure from both sides of the control valve.**
- **Vent the pneumatic actuator loading pressure and relieve any actuator spring precompression.**
- **Use lock-out procedures to be sure that the above measures stay in effect while you work on the equipment.**
- **Check with your process or safety engineer for any additional measures that must be taken to protect against process media.**

Refer to figure 2 for mounting parts identification. Refer to the DVC6200 or DVC2000 digital valve controller instruction manual for digital valve controller parts identification. Refer to the appropriate actuator instruction manual for actuator installation, operation, maintenance, and parts identification.

1. Isolate the control valve from the process line pressure and release pressure from both sides of the valve body. Shut off all pressure lines to the actuator, releasing all pressure from actuator.

Use lock-out procedures to be sure that the above measures stay in effect while you work on the equipment.

2. Attach the coupler (key 3) to the actuator shaft using the machine cap screws (key 4) and tighten.

3. Place the pointer (key 8) before attaching the magnet assembly (key 6) to the coupler using the pan head screws (key 7) and tighten. The magnet assembly must be oriented per figure 1, so that the flats are approximately as shown relative to the channel in the instrument housing at the actuator mid-travel position.

4. Place the mounting bracket (key 2) on the actuator before attaching mounting plate (key 9). Attach both to the actuator using the hex head cap screws (key 1). Visually center the hole in the bracket with the magnet assembly and coupler and tighten the fasteners.

5. Attach the travel indicator scale (key 10) to the mounting plate (key 9) using plain washer (key 11) and cap screws (key 12). Refer to figure 2.

6. Attach the digital valve controller to the mounting bracket using the hex head cap screws (key 5). Visually adjust the digital valve controller so that the magnet assembly is centered in the housing channel and tighten the fasteners.

7. Connect and calibrate the instrument as described in the appropriate instruction manual.

For additional information concerning mounting, setup, calibration, and maintenance of the DVC6200 or DVC2000 digital valve controller, refer to the appropriate instruction manual.

Note

Neither Emerson, Emerson Process Management, nor any of their affiliated entities assumes responsibility for the selection, use, or maintenance of any product. Responsibility for the selection, use, and maintenance of any product remains with the purchaser and end user.



DVC6200 or DVC2000
Digital Valve Controller on 2052
Size 1, 2 & 3 Actuator (End Mount)

Mounting Instructions
D103454X012
February 2011

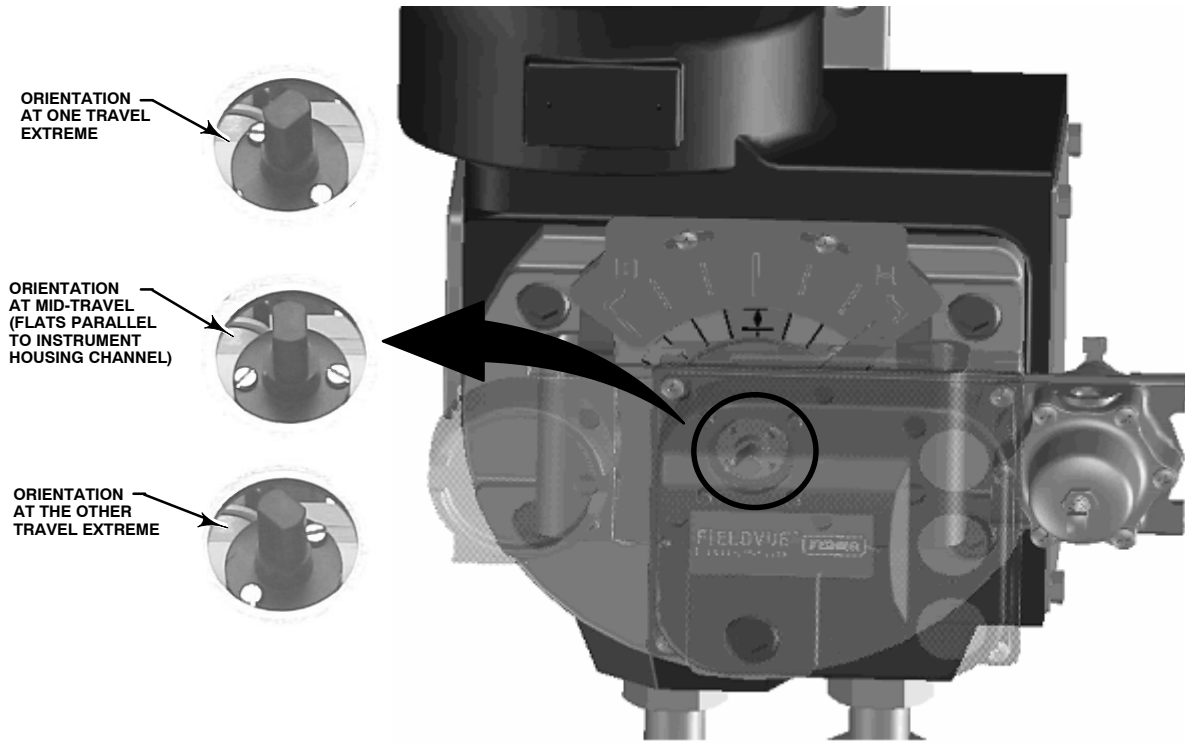


Figure 1. Magnet Assembly Orientation

DVC6200 or DVC2000 Digital Valve Controller on 2052 Size 1, 2 & 3 Actuator (End Mount)

Mounting Instructions

D103454X012
February 2011

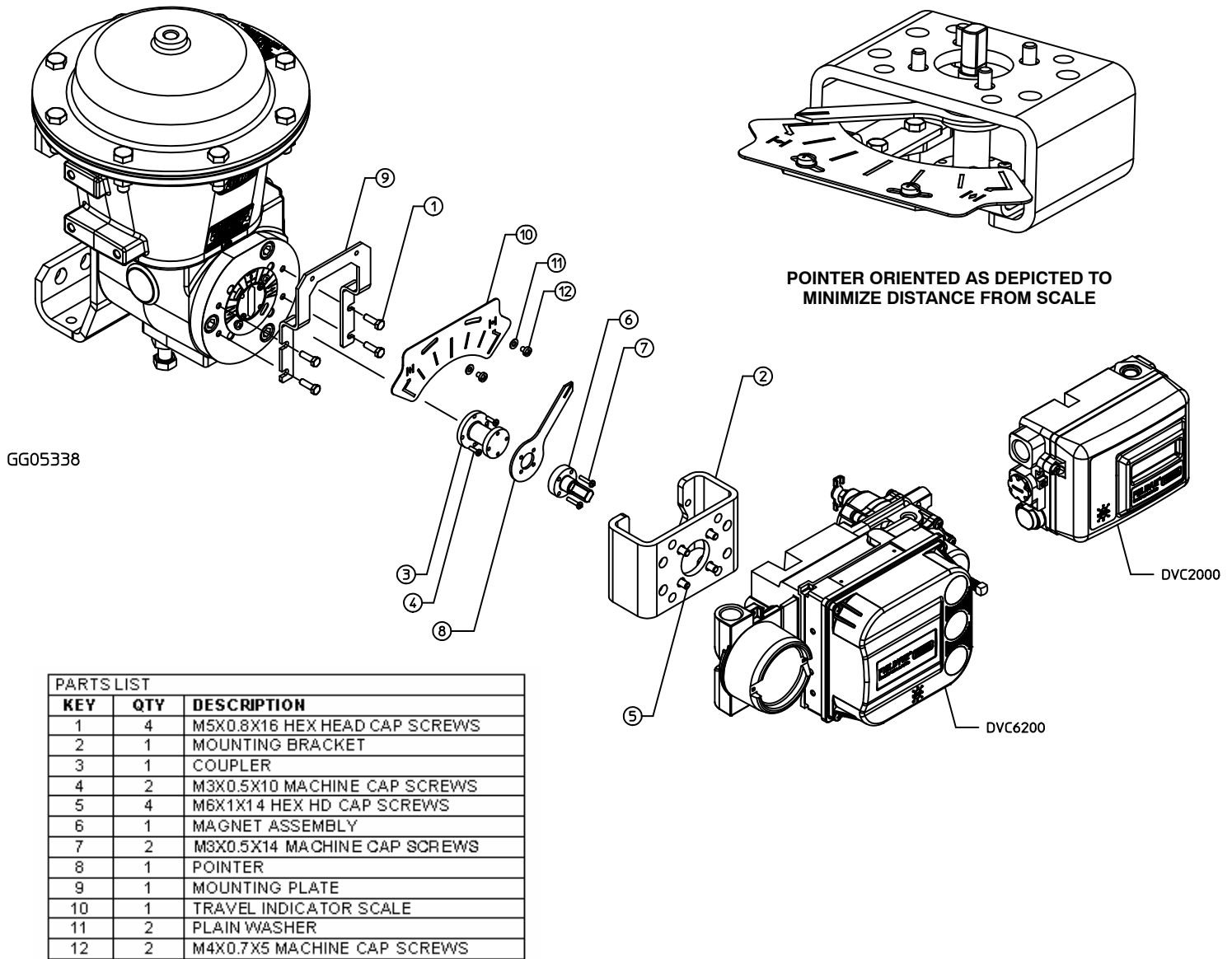


Figure 2. Mounting Parts Identification

Fisher and FIELDVUE are marks owned by one of the companies in the Emerson Process Management business division of Emerson Electric Co. Emerson Process Management, Emerson, and the Emerson logo are trademarks and service marks of Emerson Electric Co. All other marks are the property of their respective owners.

The contents of this publication are presented for informational purposes only, and while every effort has been made to ensure their accuracy, they are not to be construed as warranties or guarantees, express or implied, regarding the products or services described herein or their use or applicability. All sales are governed by our terms and conditions, which are available upon request. We reserve the right to modify or improve the designs or specifications of such products at any time without notice. Neither Emerson, Emerson Process Management, nor any of their affiliated entities assumes responsibility for the selection, use or maintenance of any product. Responsibility for proper selection, use, and maintenance of any product remains solely with the purchaser and end-user.

Emerson Process Management

Marshalltown, Iowa 50158 USA
Sorocaba, 18087 Brazil
Chatham, Kent ME4 4QZ UK
Dubai, United Arab Emirates
Singapore 128461 Singapore

www.Fisher.com