

Compact Flowmeter Double Flow Switch



Specifications

The compact flowmeter “Double Flow Switch” is designed to supply medical oxygen gas for the inhalation or insufflation of patients with spontaneous respiration at different flow rates. It can be connected to a Central Gas Supply system and to other medical devices carrying the CE-marking acc. to the Medical Device Directive 93/42/ EEC.

❑ Fluid Media

Medical O₂, Air, N₂O und CO₂

❑ Operating Parameters

Allowed inlet pressure:

Version NF S 90-116 2.6 - 3.4 bar/kPA x 100

. 37.7 - 49.3 PSIG

Version BS 5682:1998 3.5 - 4.5 bar/kPA x 100

. 50.75 - 65.25 PSIG

Version DIN 13260 and others

. 4.5 - 5.5 bar/kPA x 100

. 65.25 - 79.75 PSIG

Adjustable flow rate range:

. 0/1/2/3/4/6/8/12/15 l/min

. 0/0.2/0.3/0.4/0.6/0.8/1/2/4 l/min

Temperature range:

Operation -20 to 60 °C

Storage -40 to 70 °C

❑ Weight 590 g (depending on connection)

❑ Connections see order no. on backpage

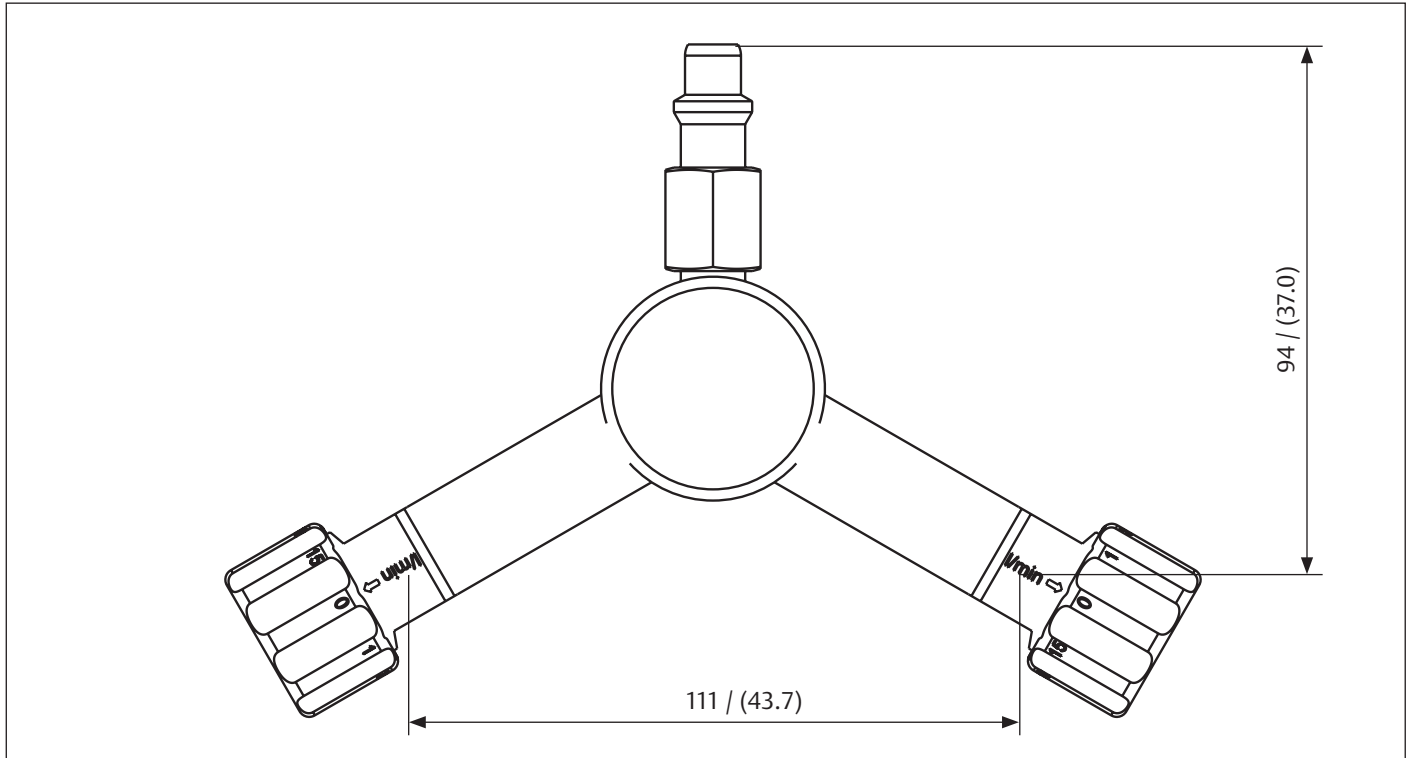


- Simple and easy handling
- Well proved design
- Small dimensions
- Light weight

Europe only

Compact Flowmeter „Double flow switch“

All dimensions in mm (inch) are approximate data depending on the design



Ordering Information

Example Part Number:

D50517 - 12 I D 04 - 04

BASIC SERIES	GAS	GAS LABELLING	INLET CONNECTION	OUTLET LEFT	ACCESSORY	OUTLET RIGHT
D50517	03 = CO ₂ 08 = Air 12 = O ₂ 13 = N ₂ O	N = neutral black I = acc. to ISO 32	B = BS 5682:1998 D = DIN EN 13260 II F = NF S 90-116 K = SS 87 524 30 U = UNI 9507	04 = Flow switch 0 - 4 l/min 15 = Flow switch 0 - 15 l/min	- = without S = Hose inlet	04 = Flow switch 0 - 4 l/min 15 = Flow switch 0 - 15 l/min

Europe only