



Specifications

The compact flow-meter "Flow Switch" is designed to supply medical oxygen for the inhalation or insufflation of patients with spontaneous respiration at different flow rates. It can be connected to a Central Gas Supply system and to other medical devices carrying the CE-marking acc. to the Medical Device Directive 93/42/ EEC.

- Fluid Media: Medical O2, Air, N2O und CO2
Operating Parameters: Allowed inlet pressure (NF S 90-116, BS 5682:1998, DIN 13260), Adjustable flow rate range (0/1/2/3/4/6/8/12/15 l/min), Temperature range (-20 bis 60 °C), Weight (250 - 300 g), Connections (see order no. on backpage)

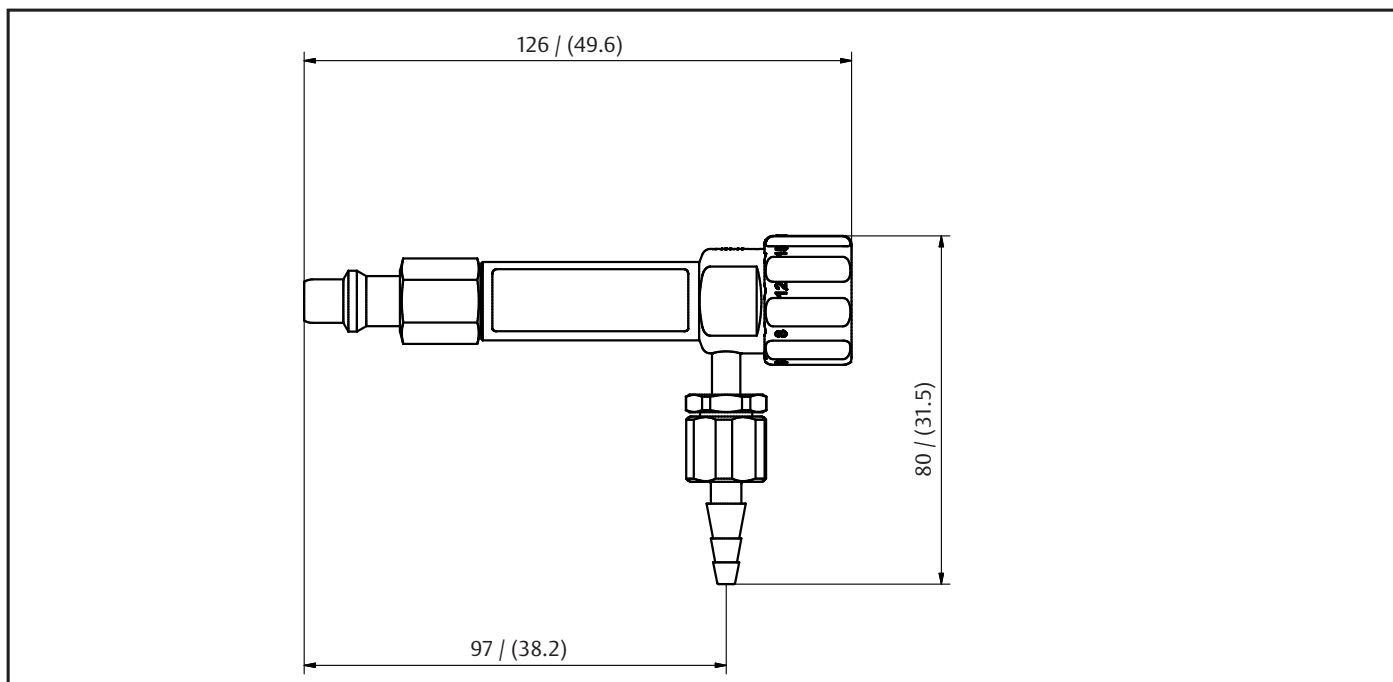


- Simple and easy handling
Well proved design
Small dimensions
Light weight

Europe only

Compact Flowmeter „Flow Switch“

All dimensions in mm (inch) are approximate data depending on the design



Ordering information

Example Part Number:

D50041 - 12 - - D A8 15

BASIC SERIES	GAS	GAS LABELLING	INLET CONNECTION ¹⁾	OUTLET CONNECTION	FLOW RANGE
D50041	03 = CO ₂ 08 = Air 12 = O ₂ 13 = N ₂ O	N = TESCOM neutral black -- = TESCOM ISO 32	0 = ISO 228/1 G1/4 D = DIN EN 13260 II F = NF S 90-116 B = BS 5682:1998 U = UNI 9507 K = SS 87 524 30	00 = M5 Female thread 61 = 9/16-18 UNF A8 = Hose insert Diameter 4/6/8 mm	04 = 0/0,2/0,3/0,4/0,6/0,8/1/2/4 15 = 0/1/2/3/4/6/8/12/15

1) further inlet connection on request

Europe only