

Odorant Injection System

Provides Uniform Odorant Distribution Due to Frequent Precise Injections and Enhanced Absorption from the Wick Insert.



Type ROC809 Remote Telemetry Unit



Wick Insert

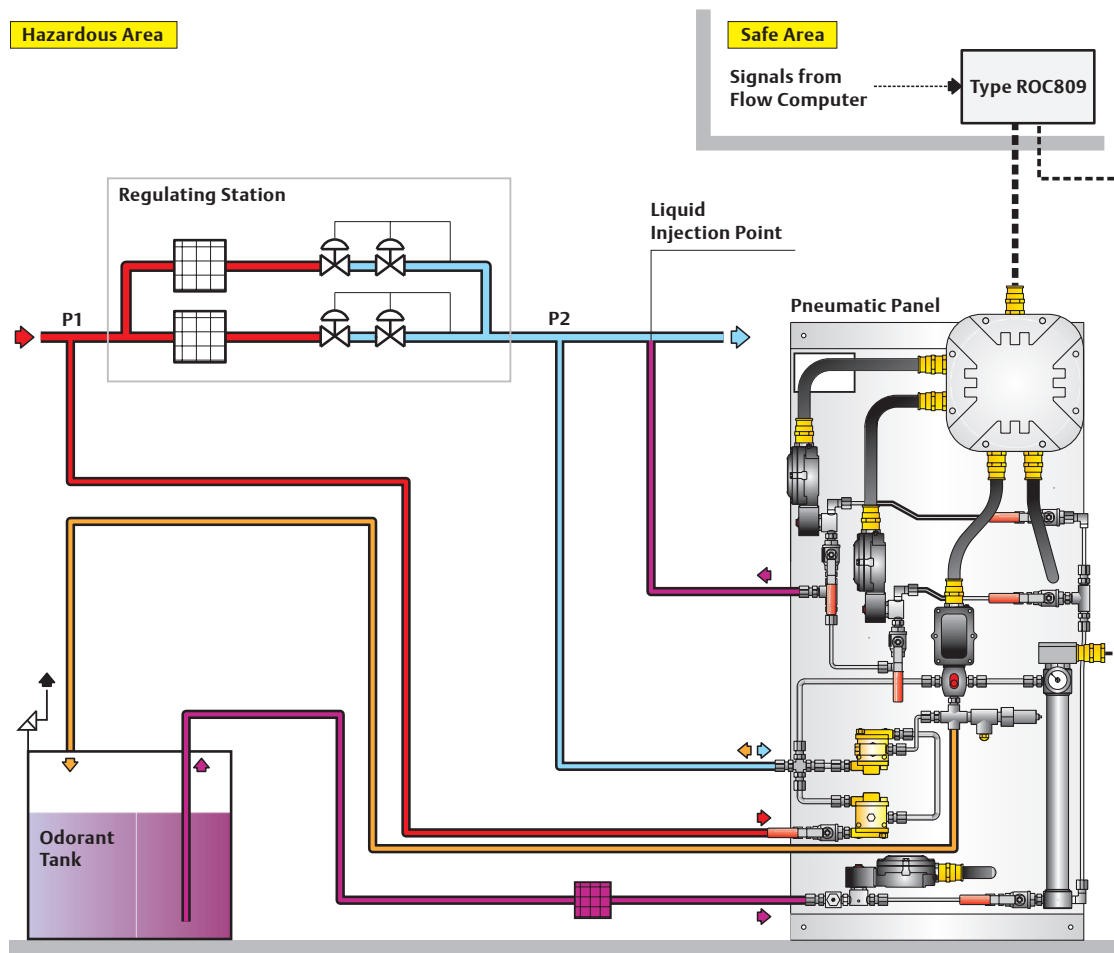
Features:

- Extremely Low Maintenance Cost
- Uniform Odorant Distribution
- High Turn-Down Ratio
- Environmentally Friendly (No Gas/Odorant Venting)
- Standard and Scalable Hardware Platform
- Variety of Redundancy and Backup Options



Type Dosaodor-D Pneumatic Panel

Significantly reduced maintenance costs as compared to other systems.



General Installation Schematic

Type Dosaodor-D Pneumatic Panel Technical Specifications

- **Material:** Stainless steel plate
- **Installation:** Wall mount
- **Electrical Protection:**
 - Explosion Proof
 - Class I, Division 1 and 2 - Groups B, C, D
 - Class I, Zone 1 and 2 - Groups IIB+H2, IIA
- **Mechanical Connections:**
 - Odorant Inlet and Discharge*
 - 1/4-inch (6,35 mm) OD Tube fitting (double ferrule)
 - Gas Inlet and Discharge*
 - 3/8-inch (9,53 mm) OD Tube fitting (single ferrule)

- **Maximum Working Pressure:**
 - Supply:* 1450 psi (100 bar)
 - Injection:* 203 psi (14 bar)
 - 551 psi (38 bar)
 - 870 psi (60 bar)
- **Odorant Flow Rate:**
 - 0.13 to 3.70 Gallons per hour (0,5 to 14,0 l/hr)
 - (0.89 to 24.97 pounds/hr at 6.75 pounds/gal)
- **Temperature Range:**
 - 14° to 140°F (-10° to 60°C)

For more information regarding this resource and our products, contact:

1-800-558-5853
 Outside U.S.: 1-972-548-3574
 Fax: 1-972-547-3712
 email: pressure.regulators@emersonprocess.com