

Fisher[®] D Series Valve Selection Guide

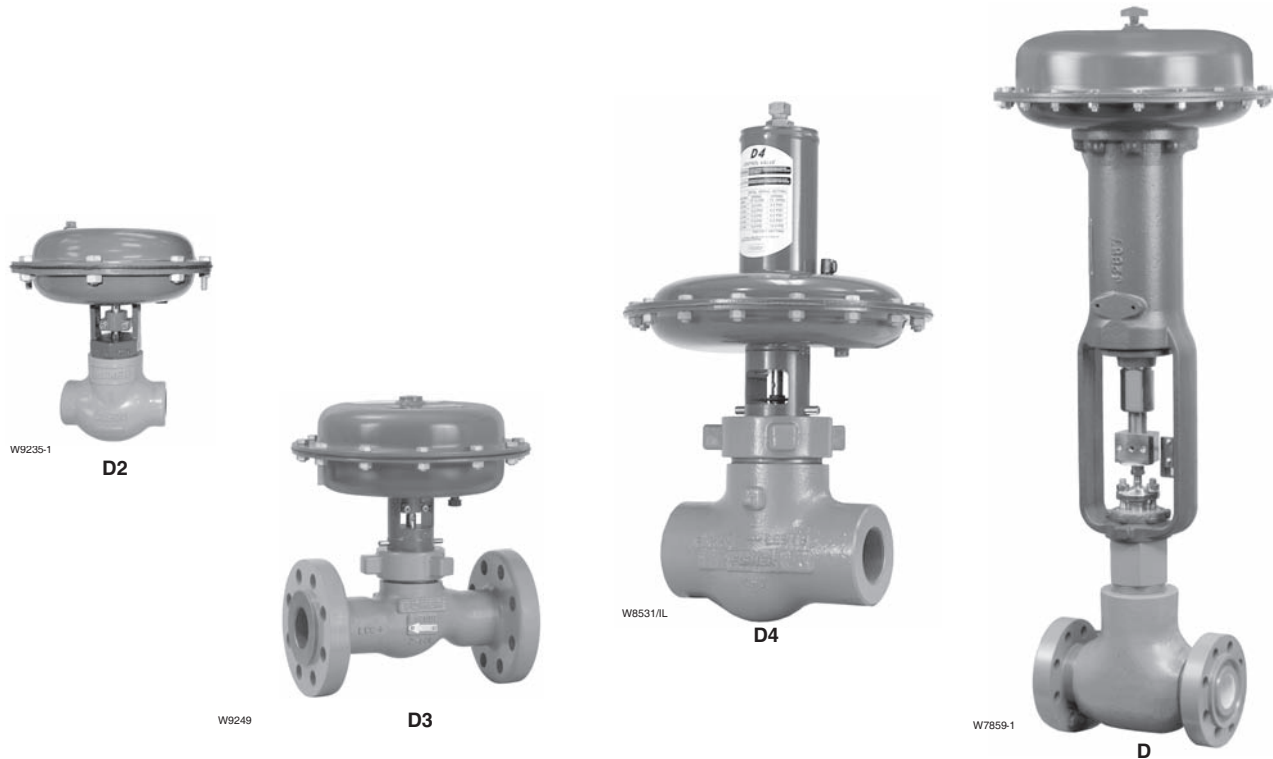


Figure 1. Typical Fisher D Series Control Valves

The D Series control valve is most typically used in a variety of upstream oil and gas production applications.

- **The D2 on/off dump valve offers** ■ NPS 1 CL900 NPT connections, ■ 0.5 inch FloPro solid R30006 or S17400 SST trim; Max Cv=6.0, ■ meets the metallurgical requirements of NACE MR0175-2002, ■ Superior live-loaded packing design.

- **The D3 premium on/off dump valve offers** ■ On/off or throttling control, ■ NPS 1 and 2 CL900 NPT, NPS 2 CL600RF connections, ■ 1 inch FloPro S17400 SST or tungsten carbide trim; Max Cv=16.8, ■ meets the metallurgical requirements of NACE MR0175/ISO 15156, ■ Superior live-loaded packing design.

- **The D4 premium high flow on/off dump valve offers** ■ throttling control, ■ NPS 1 and 2

- 4250 psi NPT, NPS 1 and 2 CL150RF to 1500RTJ connections, ■ 0.25 to 1.25 inch port S17400 SST or tungsten carbide trim; Max Cv=33.2, ■ meets the metallurgical requirements of NACE MR0175/ISO 15156, ■ Superior live-loaded packing design, ■ FIELDVUE™ digital valve controller and i2P-100 transducer mounting available, ■ Smaller envelope size than D.

- **The D high tier throttling control valve offers** ■ NPS 1 and 2 3600 or 6000 psi NPT, NPS 1 and 2 CL150RF to 2500RTJ connections, ■ 0.25 to 1.25 inch port R30006 or tungsten carbide trim; Max Cv=34.5, ■ meets the metallurgical requirements of NACE MR0175-2002, ■ High pressure capability; CL2500, ■ High flow / high pressure drop capability, ■ Tough standard R30006 trim offering, ■ Superior tungsten carbide and VTC trim offering, ■ Preferred FIELDVUE digital valve controller mounting platform.



D Series Valve Selection Guide

D Series Control Valves (D2, D3, D4, D)

See figure 2 and table 1.

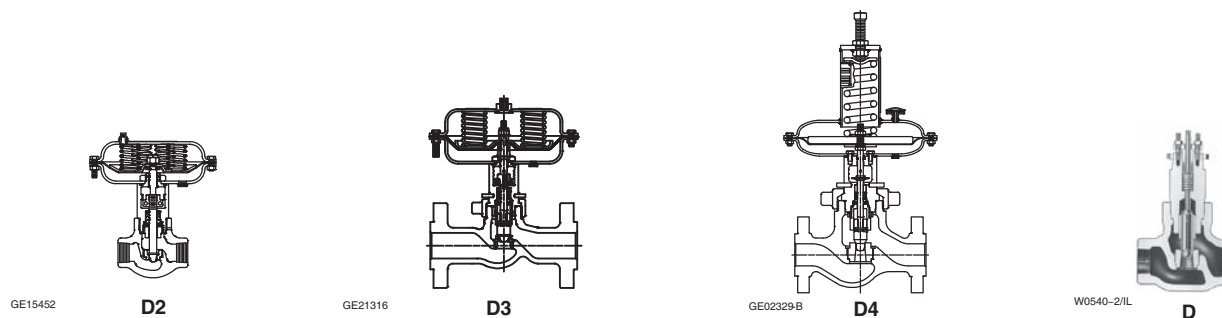


Figure 2. D Series Control Valves (D2, D3, D4, and D)

Table 1. D Series Control Valves (D2, D3, D4, and D)

	D2 (see figure 2)	D3 (see figure 2)	D4 (see figure 2)	D (see figure 2)
Sizes	NPS 1	NPS 1 and 2	NPS 1 and 2	NPS 1 and 2
Throttling⁽¹⁾	No	Yes	Yes	Yes
Trim	Standard: S17400 Optional: R30006 and Tungsten Carbide	Standard: S17400 Optional: Tungsten Carbide	Standard: S17400 Optional: Tungsten Carbide	Standard: 316/A6 Optional: Tungsten Carbide Ceramic (VTC)
ENVIRO-SEAL™ Packing	Standard	Standard	Standard	Optional
Field Reversible	Yes	Yes	No	No
Hammer Union	No	Yes	Yes	No
FIELDVUE Compatible	No	No	Yes	Yes

Note 1 for table 1. Dynamic performance and accuracy without a positioner depends on packing friction, actuator spring range, and the controller tuning. For information on your particular application, contact your Emerson Process Management sales office.

Table 2. End Connections

	D2	D3	D4	D
NPS 1 NPT	X	X	X	X
CL150 RF			X	X
CL300 RF			X	X
CL600 RF			X	X
CL1500 RF			X	X
CL1500 RTJ			X	X
CL2500 RF				X
CL2500 RTJ				X
NPS 2 NPT		X	X	X
CL150 - CL300 RF			X	X
CL600 RF		X	X	X
CL1500 RF			X	X
CL1500 RTJ			X	X
CL2500 RF				X
CL2500 RTJ				X
10,000 API				X

Note

Neither Emerson, Emerson Process Management, nor any of their affiliated entities assumes responsibility for the selection, use or maintenance of any product. Responsibility for the selection, use, and maintenance of any product remains with the purchaser and end user.

D Series Valve Selection Guide

Product Bulletin

40:003

August 2008

Fisher, ENVIRO-SEAL, and FIELDVUE are marks owned by one of the companies in the Emerson Process Management business division of Emerson Electric Co. Emerson Process Management, Emerson, and the Emerson logo are trademarks and service marks of Emerson Electric Co. All other marks are the property of their respective owners.

The contents of this publication are presented for informational purposes only, and while every effort has been made to ensure their accuracy, they are not to be construed as warranties or guarantees, express or implied, regarding the products or services described herein or their use or applicability. All sales are governed by our terms and conditions, which are available upon request. We reserve the right to modify or improve the designs or specifications of such products at any time without notice. Neither Emerson, Emerson Process Management, nor any of their affiliated entities assumes responsibility for the selection, use or maintenance of any product. Responsibility for proper selection, use, and maintenance of any product remains solely with the purchaser and end user.

Emerson Process Management

Marshalltown, Iowa 50158 USA

Sorocaba, 18087 Brazil

Chatham, Kent ME4 4QZ UK

Dubai, United Arab Emirates

Singapore 128461 Singapore

www.Fisher.com

