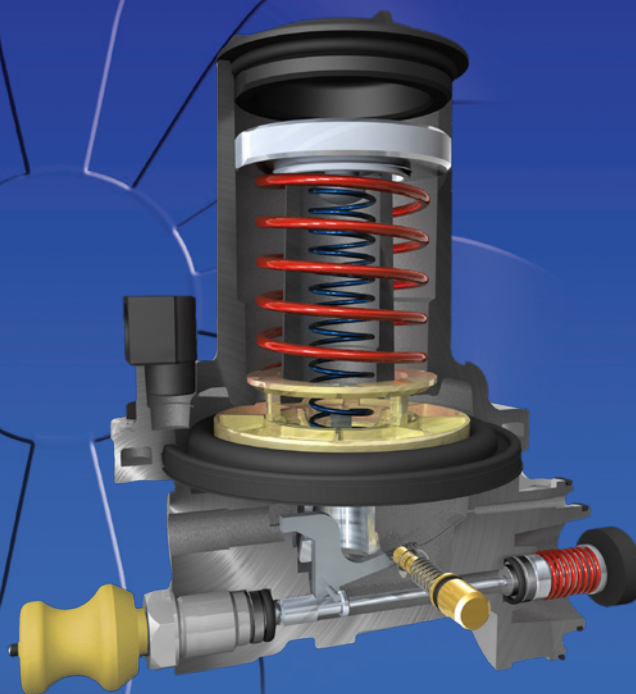


VSX4 Series Slam-Shut Device

Fisher® Commercial Service Reliability



Typical of VSX4



Typical of VSX4 Internal View

VSX4 Series

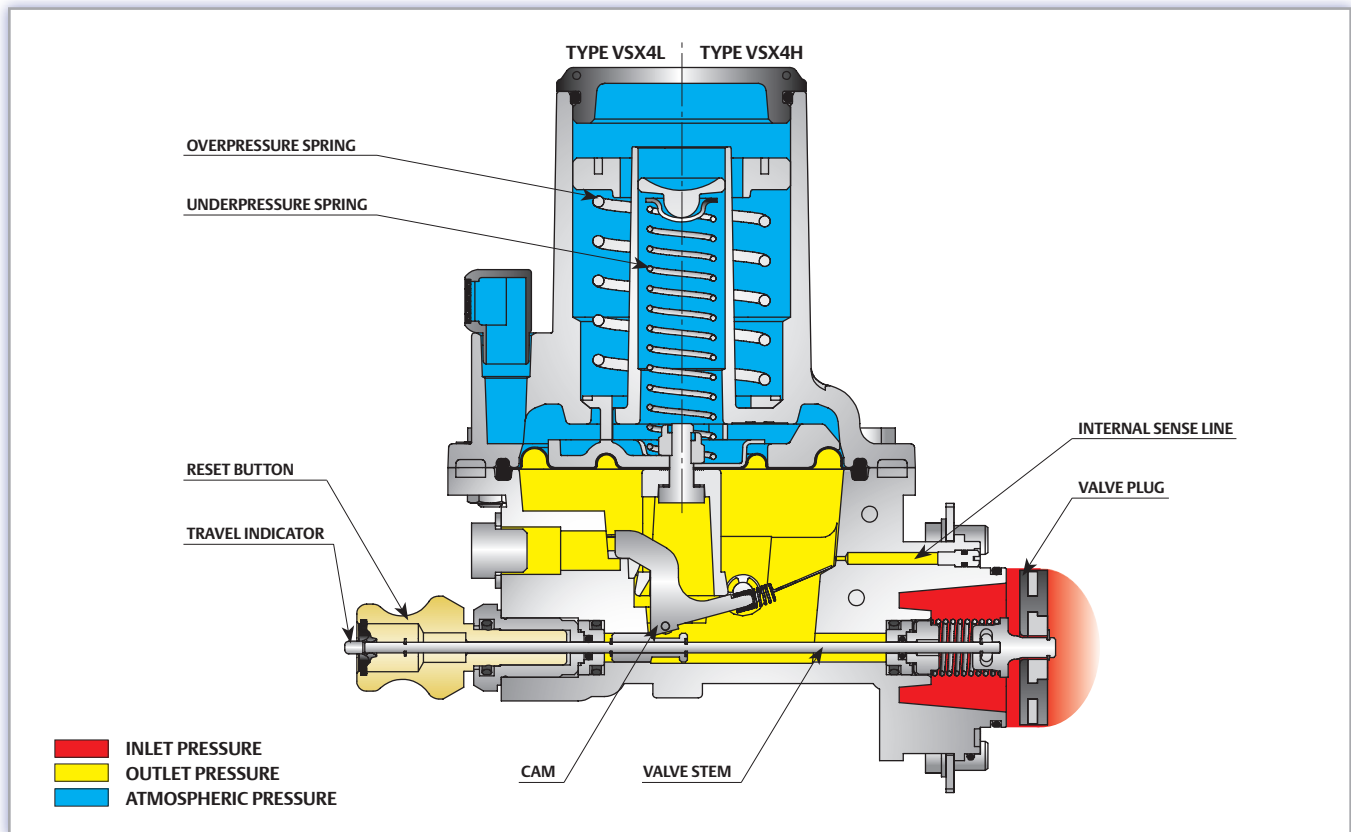
The VSX4 Series slam-shut device is designed to shut off the flow of gas to the downstream system in the event of outlet pressure rising above or falling below the predefined levels.

Product Advantages:

- Internal or external pressure registration available
- Overpressure Shutoff and Underpressure Shutoff capability
- Manual trip system
- Travel indicator
- Bypass for the rearmament
- Rotation at 360° for easy installation and maintenance
- No specific tool for maintenance



Operational Schematic



VSX4 Series Features

Operation: Direct-Operated, Spring-Loaded

Maximum Inlet Pressure: Up to 16 bar (232 psig)

Maximum Allowable Pressure: 20 bar (290 psig)

Outlet Pressure Range:

Type VSX4L Low-Pressure Version

Underpressure Shutoff: 5 to 750 mbar (0.07 to 10.9 psig)

Overpressure Shutoff: 30 to 1600 mbar (0.43 to 23.2 psig)

Type VSX4H High-Pressure Version

Underpressure Shutoff: 0,5 to 2,8 bar (7.3 to 40.6 psig)

Overpressure Shutoff: 1,1 to 5,5 bar (16 to 79.8 psig)

Maximum Outlet (Casing) Pressure:

6 bar (87 psig)

Material Temperature Capabilities:

According to PED Standards: -20° to 66°C (-4° to 150°F)

Non-PED: -29° to 66°C (-20° to 150°F)

Spring Case Vent Connection: 1/4 NPT

Pressure Registration: Internal or External

Cases Material: Aluminium (Al)

Natural Gas Technologies

Emerson Process Management Regulator Technologies, Inc.

North America

McKinney, Texas 75069-1872 USA

Tel: 1-800-558-5853

Outside U.S. 1-972-548-3574

Asia-Pacific

Singapore, Singapore 128461

Tel: +65 6777 8211

Europe

Bologna, Italy 40013

Tel: +39 051 4190611

Gallardon, France

Tel: +33 (0) 2 37 33 47 00



The distinctive swirl pattern cast into every actuator casing uniquely identifies the regulator as part of the Fisher® brand Commercial Service Regulator family and assures you of the highest-quality engineering, performance, and support traditionally associated with Fisher, Francel, and Tartarini regulators.

Our Global Natural Gas Product Brands:

For further information, visit www.emersonprocess.com/regulators



TESCOM



EMERSON
Process Management

D351776X012 © 2009 Emerson Process Management Regulator Technologies, Inc. All rights reserved. Printed 06/09.
Fisher, Francel, Tartarini, Tescom, Jeon, Emerson Process Management, and the Emerson Process Management design are marks of one of the Emerson Process Management group of companies. All other marks are the property of their respective owners.