

Introduction

This installation guide provides instructions for installation, startup, and adjustment. To receive a copy of the instruction manual, contact your local Fisher Sales Office or Sales Representative or view a copy at www.FISHERregulators.com. For further information refer to: 133 Series Instruction Manual, form 5007, D100270X012.

P.E.D. Categories

This product may be used as a safety accessory with pressure equipment in the following Pressure Equipment Directive 97/23/EC categories. It may also be used outside of the Pressure Equipment Directive using sound engineering practice (SEP) per table below.

PRODUCT SIZE	CATEGORIES	FLUID TYPE
DN 50 (2-inch)	I	1

Specifications

Available Constructions

Type 133H: High pressure construction for outlet pressure range of 1-1/2 to 10 psig (0,10 to 0,69 bar). The Type 133H can also use the 5 mbar to 0,14 bar (2-inches w.c. to 2 psig) springs of the Type 133L. The maximum operating inlet pressure is 4,1 bar (60 psig) with a maximum emergency inlet pressure of 8,6 bar (125 psig).

Type 133HP: Extra high pressure construction for outlet pressure range of 0,14 to 4,1 bar (20 to 60 psig). The maximum operating inlet pressure rating of 10 bar (150 psig) with a maximum emergency inlet pressure of 10 bar (150 psig).

Type 133L: Low pressure construction for outlet pressure range of 5 mbar to 0,14 bar (2-inches w.c. to 2 psig). The maximum operating inlet pressure is 4,1 bar (60 psig) with a maximum emergency let pressure of 8,6 bar (125 psig).

Type 133Z: Zero gravity governor construction for outlet pressure range of -2,5 to 10 mbar (-1 to 4-inches w.c.). The maximum operating inlet pressure is 1,4 bar (20 psig) with a maximum emergency inlet pressure of 8,6 bar (125 psig).

End Connections

DN 50 (2-inch) - cast iron NPT female, cast iron ANSI Class 125 flat-face flanged, steel NPT female, or steel ANSI Class 150 raised-face flanged

Outlet Pressure Ranges⁽¹⁾

See table 1

Maximum Inlet and Outlet Pressures⁽¹⁾

See table 2

Proof Test Pressure

All Pressure Retaining Components have been proof tested per Directive 97/23/EC - Annex 1, Section 7.4

Temperature Capabilities⁽¹⁾

-29 to 66°C (-20 to 150°F)

Control Line Connection

133H, 133L, and 133Z: DN 20 (3/4-inch) NPT female; connection will be positioned directly over body outlet (standard position) or 90 degrees right or left of standard position if specified

133HP: DN 8 (1/4 NPT) female connection positioned directly over body outlet

Installation



WARNING

Only qualified personnel should install or service a regulator. Regulators should be installed, operated, and maintained in accordance with international and applicable codes and regulations, and Fisher instructions.

If the regulator vents fluid or a leak develops in the system, it indicates that service is required. Failure to take the regulator out of service immediately may create a hazardous condition.

Personal injury, equipment damage, or leakage due to escaping fluid or bursting of pressure-containing parts may result if this regulator is overpressured or is installed where service conditions could exceed the limits given in the Specifications section, or where conditions exceed any ratings of the adjacent piping or piping connections.

To avoid such injury or damage, provide pressure-relieving or pressure-limiting devices (as required by the appropriate code, regulation, or standard) to prevent service conditions from exceeding limits.

Additionally, physical damage to the regulator could result in personal injury and property damage due to escaping fluid. To avoid such injury and damage, install the regulator in a safe location.

Clean out all pipelines before installation of the regulator and check to be sure the regulator has not been damaged or has collected foreign material during shipping. For NPT bodies, apply pipe compound to the male pipe threads. For flanged bodies, use suitable line gaskets and approved piping and bolting practices. Install the regulator in any position desired, unless otherwise specified, but be sure flow through the body is in the direction indicated by the arrow on the body.

Note

It is important that the regulator be installed so that the vent hole in the spring case is unobstructed at all times. For outdoor installations, the regulator should be located away from vehicular traffic and positioned so that water, ice, and other foreign materials cannot

1. The pressure/temperature limits in this installation guide and any applicable standard or code limitation should not be exceeded.



133 Series

enter the spring case through the vent. Avoid placing the regulator beneath eaves or downspouts, and be sure it is above the probable snow level.

Overpressure Protection

The recommended pressure limitations are stamped on the regulator nameplate. Some type of overpressure protection is needed if the actual inlet pressure exceeds the maximum operating outlet pressure rating. Overpressure protection should also be provided if the regulator inlet pressure is greater than the safe working pressure of the downstream equipment.

Regulator operation below the maximum pressure limitations does not preclude the possibility of damage from external sources or debris in the line. The regulator should be inspected for damage after any overpressure condition.

Startup



If the downstream system is already pressured by another regulator or by a manual bypass, then extra precautions must be taken when placing the 133 Series in service. The outlet of the regulator must never be subjected to pressures higher than the inlet pressure, or the balancing diaphragm may be damaged. Also, the control line pressure must never exceed the set point dictated by the spring setting by more than 0,21 bar (3 psig), or the valve seat or diaphragm plates can be damaged.

The regulator is factory set at approximately the midpoint of the spring range or the pressure requested, so an initial adjustment may be required to give the desired results. With proper installation completed and relief valves properly adjusted, slowly open the upstream and downstream shutoff valves.

Adjustment

To change the outlet pressure, remove the closing cap or loosen the locknut and turn the adjusting screw clockwise to increase outlet pressure or counterclockwise to decrease pressure. Monitor the outlet pressure with a test gauge during the adjustment. Replace the closing cap or tighten the locknut to maintain the desired setting.

Taking Out of Service (Shutdown)



To avoid personal injury resulting from sudden release of pressure, isolate the regulator from all pressure before attempting disassembly.

Table 1. Series 133 Outlet Pressure Ranges

TYPE	OUTLET PRESSURE RANGE	
	bar / mbar	inches w.c. / psig
133H ⁽¹⁾	0.10 to 0.21 bar 0.14 to 0.34 bar 0.34 to 0.69 bar	1.5 to 3 psig 2 to 5 psig 5 to 10 psig
133HP ⁽¹⁾	0.14 to 0.34 bar 0.34 to 0.69 bar 0.69 to 1.4 bar 1.4 to 2.1 bar 2.1 to 2.8 bar 2.8 to 3.4 bar 3.4 to 4.1 bar	2 to 5 psig 5 to 10 psig 10 to 20 psig 20 to 30 psig 30 to 40 psig 40 to 50 psig 50 to 60 psig
133L ⁽¹⁾ and 133H ⁽²⁾	5 to 10 mbar 8.7 to 15 mbar 12 to 22.4 mbar 21.2 to 44.8 mbar 35 to 70 mbar 0.05 to 0.14 bar	2 to 4-in. w.c. 3.5 to 6-in. w.c. 5 to 9-in. w.c. 8.5 to 18-in. w.c. 14 to 28-in. w.c. 0.75 to 2 psig
133Z ⁽¹⁾	-2.5 to 2.5 mbar	-1 to 1-in. w.c.
	0 to 10 mbar	0 to 4-in. w.c.

1. Pressure ranges shown are correct if the regulator is installed with the actuator portion above the body portion. If the regulator is installed with the actuator portion below the body, the pressure ranges will be lowered by approximately 2-inches w.c. (5 mbar) for the Type 133L and by approximately 3-inches w.c. (7,5 mbar) for the Type 133H and 133Z.

2. If the 2-inch w.c. to 2 psig springs (all 6 ranges) are used in the Type 133H, the pressure ranges will increase by approximately 1-inch w.c. to the weight of the Type 133H parts (assuming that the actuator is installed above the body).

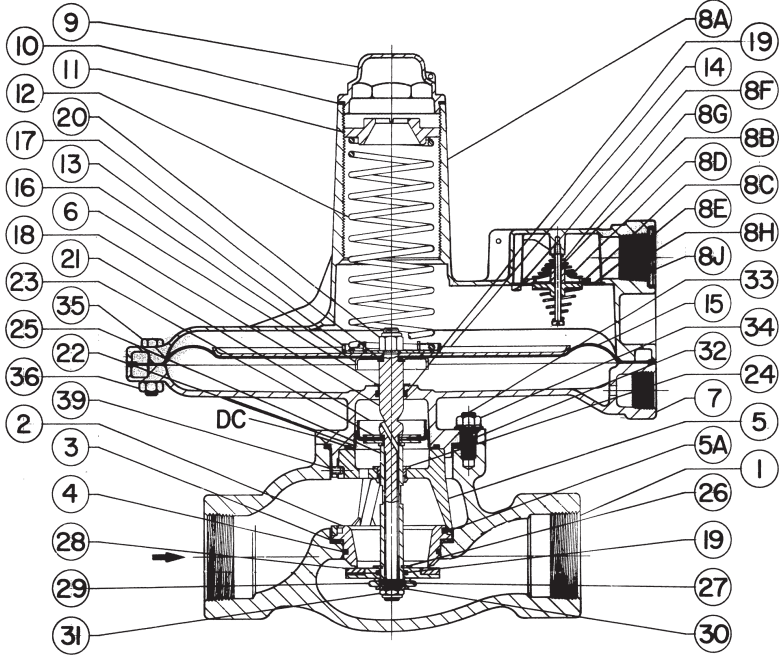
Parts List

Key Description	Key Description
1 Body	26 E-Ring
2 Orifice	27 Roll Pin
3 Belleville Spring Washer	28 Valve Disk Assembly
4 O-Ring	29 Registration Disk
5 Cage	30 Washer
6 Bearing	31 Hex Nut
7 Lower Casing	32 O-Ring
8 Spring Case	33 Stud
8A Spring Case	34 Locknut
8B Flapper Stem	35 Cap Screw
8C Lower Flapper	36 Hex Nut
8D Upper Flapper	39 Set Screw
8E Orifice	40 Thrust Washer
8F Screw	41 Upper Spring Seat
8G Spring	42 Spring Retainer
8H Screen	43 Ball
8J Snap Ring	44 Extension Spring
9 Closing Cap	45 Retaining Ring
10 Closing Cap Gasket	46 Restriction Collar
11 Adjusting Screw	47 Set Screw
12 Spring	49 Pipe Nipple
13 Spring Seat	50 Vent Assembly
14 Diaphragm Plate	51 Street Elbow
15 Diaphragm	52 Upper Diaphragm Casing
16 Sealing Diaphragm Plate	53 Cap Screw
17 Sealing Washer	54 Adaptor O-Ring
18 Stem	55 Cap Screw
19 O-Ring	56 Mounting Bracket
20 Hex Nut	57 Mounting Bracket Gasket
21 Diaphragm Plate	58 Lock Washer
22 Diaphragm	59 Hex Jam Nut
23 Washer	60 Casing Adaptor
24 Guide Bushing	61 Diaphragm Washer O-Ring
25 Stem Sleeve	62 Cap Screw

Table 2. Maximum Inlet and Outlet Pressures

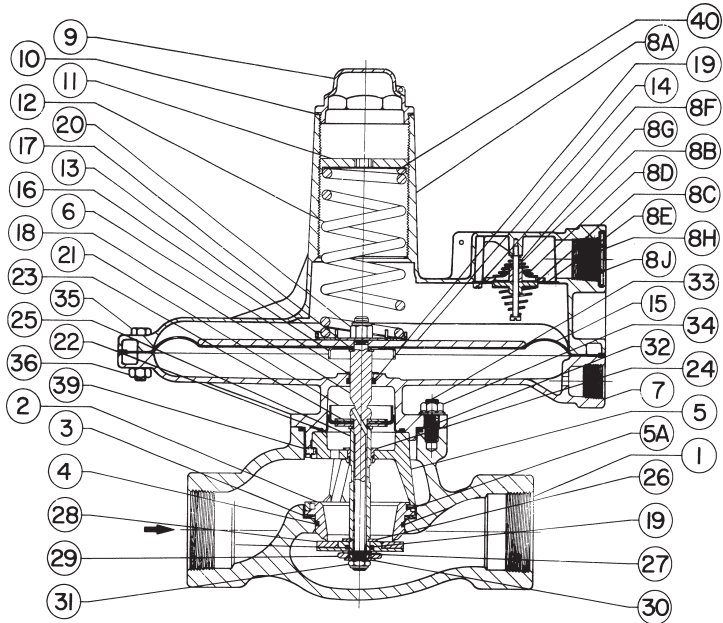
PRESSURES	TYPE NUMBER			
	133H bar (psig)	133HP bar (psig)	133L bar (psig)	133Z bar (psig)
Maximum Operating Inlet Pressure	4,1 (60)	10 (150)	4,1 (60)	1,4 (20)
Maximum Emergency Inlet Pressure	8,6 (125)	10 (150)	8,6 (125)	8,6 (125)
Maximum Operating Outlet Pressure	0,69 (10)	2,8 (Setpoint Plus 40)	0,14 (2)	10 mbar (4-in. w.c.)
Maximum Outlet Pressure Over Outlet Pressure Setting	0,21 (3)	---	0,21 (3)	0,21 (3)
Maximum Emergency Outlet (Casing) Pressure	1,03 (15)	10 (150)	1,03 (15)	1,03 (15)

1. With highest spring range available only.



40A3066-D/DOC

Figure 1. Type 133L



40A3070-D/DOC

Figure 2. Type 133H

133 Series

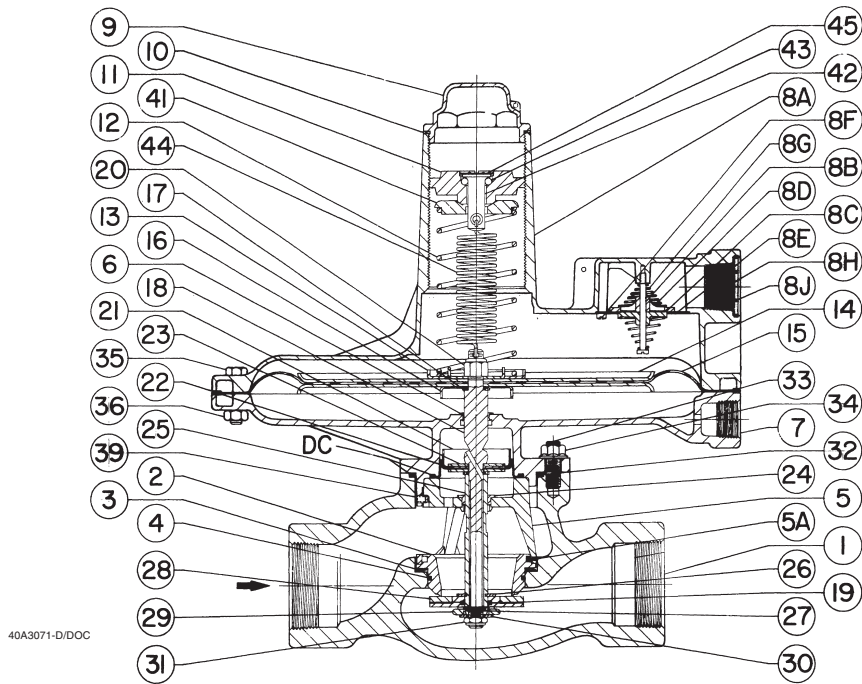


Figure 3. Type 133Z

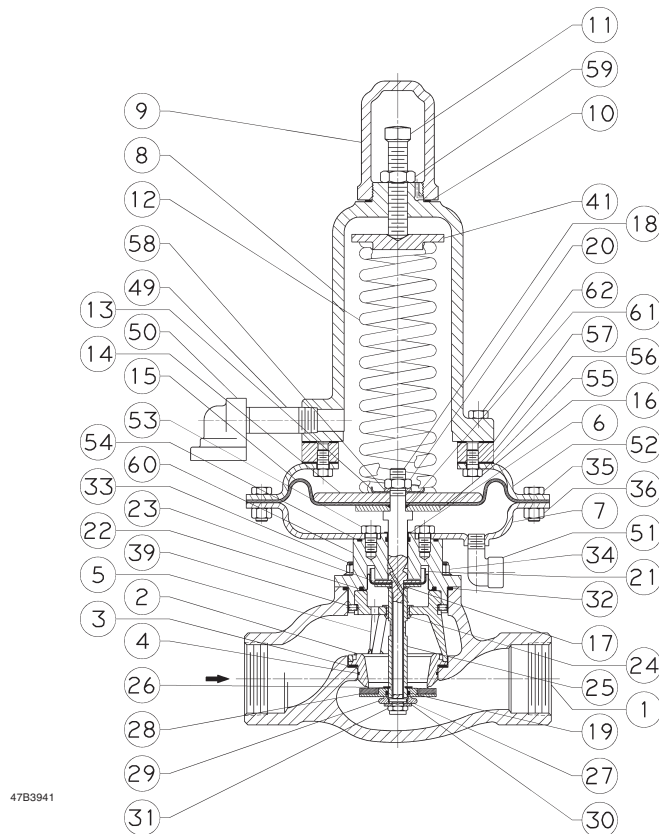


Figure 4. Type 133HP Assembly

©Fisher Controls International, Inc., 2002; All Rights Reserved

Fisher and Fisher Regulators are marks owned by Fisher Controls International, Inc. The Emerson logo is a trade mark and service mark of Emerson Electric Co. All other marks are the property of their respective owners.

The contents of this publication are presented for informational purposes only, and while every effort has been made to ensure their accuracy, they are not to be construed as warranties or guarantees, express or implied, regarding the products or services described herein or their use or applicability. We reserve the right to modify or improve the designs or specifications of such products at any time without notice.

For information, contact Fisher Controls, International:
 Within USA (800) 588-5853 – Outside USA (972) 542-0132
 Italy – (39) 051-4190-606
 Singapore – (65) 770-8320
 Mexico – (52) 57-28-0888

Printed in U.S.A.

www.FISHERregulators.com

