

Introduction

This installation guide provides instructions for installation, startup, and adjustment. To receive a copy of the instruction manual, contact your local Sales Office or view a copy at www.fisherregulators.com. For further information refer to: 67C Series Instruction Manual, form 5469, D102601X012.

P.E.D. Category

This product may be used as a safety accessory with pressure equipment in the following Pressure Equipment Directive 97/23/EC categories. It may also be used outside of the Pressure Equipment Directive using sound engineering practice (SEP) per table below.

PRODUCT SIZE	CATEGORIES	FLUID TYPE
1/4 NPT	SEP	1

Specifications

Body Size and End Connection Style
1/4 NPT

Maximum Inlet Pressure (Body Rating)⁽¹⁾

67CFS Series: 17,2 bar (250 psig)

67CS Series: 27,6 bar (400 psig)

Maximum Outlet Pressure⁽¹⁾

3,4 bar (50 psig) over outlet pressure setting

Proof Test Pressure

All Pressure Retaining Components have been proof tested per Directive 97/23/EC - Annex 1, Section 7.4

Outlet Pressure Ranges⁽¹⁾

0 to 1,4 bar (0 to 20 psig)

0 to 2,4 bar (0 to 35 psig)

0 to 4,1 bar (0 to 60 psig)

0 to 8,6 bar (0 to 125 psig)

0 to 10,3 bar (0 to 150 psig)

Temperature Capabilities⁽¹⁾

Nitrile (NBR): -40° to 82°C (-40° to 180°F)

Installation



WARNING

Only qualified personnel should install or service a regulator. Regulators should be installed, operated, and maintained in accordance with international and applicable codes and

regulations, and Emerson Process Management Regulator Technologies, Inc. instructions.

If the regulator vents fluid or a leak develops in the system, it indicates that service is required. Failure to take the regulator out of service immediately may create a hazardous condition.

Personal injury, equipment damage, or leakage due to escaping fluid or bursting of pressure-containing parts may result if this regulator is overpressured or is installed where service conditions could exceed the limits given in the Specifications section, or where conditions exceed any ratings of the adjacent piping or piping connections.

To avoid such injury or damage, provide pressure-relieving or pressure-limiting devices (as required by the appropriate code, regulation, or standard) to prevent service conditions from exceeding limits.

Additionally, physical damage to the regulator could result in personal injury and property damage due to escaping fluid. To avoid such injury and damage, install the regulator in a safe location.

The internal relief valve in the 67CFSR Series regulators does not provide full overpressure protection. The internal relief valve is designed for minor seat leakage only.

Clean out all pipelines before installation of the regulator and check to be sure the regulator has not been damaged or has collected foreign material during shipping. For NPT bodies, apply pipe compound to the male pipe threads. For flanged bodies, use suitable line gaskets and approved piping and bolting practices. Install the regulator in any position desired, unless otherwise specified, but be sure flow through the body is in the direction indicated by the arrow on the body.

Note

It is important that the regulator be installed so that the vent hole in the spring case is unobstructed at all times. For outdoor installations, the regulator should be located away from vehicular traffic and positioned so that water, ice, and other foreign materials cannot enter the spring case through the vent. Avoid

1. The pressure/temperature limits in this Installation Guide and any applicable standard or code limitation should not be exceeded.



67CS and 67CFS Series

placing the regulator beneath eaves or downspouts, and be sure it is above the probable snow level.

Overpressure Protection

The recommended pressure limitations are stamped on the regulator nameplate. Some type of overpressure protection is needed if the actual inlet pressure exceeds the maximum operating outlet pressure rating. Overpressure protection should also be provided if the regulator inlet pressure is greater than the safe working pressure of the downstream equipment.

Regulator operation below the maximum pressure limitations does not preclude the possibility of damage from external sources or debris in the line. The regulator should be inspected for damage after any overpressure condition.

Startup

The regulator is factory set at approximately the midpoint of the spring range or the pressure requested, so an initial adjustment may be required to give the desired results. With proper installation completed and relief valves properly adjusted, slowly open the upstream and downstream shutoff valves.

Adjustment

To change the outlet pressure, remove the closing cap or loosen the locknut and turn the adjusting screw clockwise to increase outlet pressure or counterclockwise to decrease pressure. Monitor the outlet pressure with a test gauge during the adjustment. Replace the closing cap or tighten the locknut to maintain the desired setting.

Taking Out of Service (Shutdown)



WARNING

To avoid personal injury resulting from sudden release of pressure, isolate the regulator from all pressure before attempting disassembly.

Parts List

Types 67CS and 67CSR

Key	Description
1	Body
3	Flange Screw
4 ⁽¹⁾	O-Ring
7	Spring Case
10 ^(1,2)	Valve Cartridge
11 ^(1,2)	Valve Plug
12 ^(1,2)	Valve Spring
13 ^(1,2)	Valve Retainer
14 ^(1,2)	O-Ring
15 ^(1,2)	Soft Seat
16 ⁽¹⁾	Diaphragm Assembly
17	Spring
18	Adjusting Screw
19	Locknut
20	Upper Spring Seat
33	Closing Cap
39	Bottom Plate
45	Vent Screen

Types 67CFS and 67CFSR

Key	Description
1	Body
2	Drain Valve
3	Flange Screw
4 ⁽¹⁾	O-Ring
5	Dripwell
6 ⁽¹⁾	Filter Element
7	Spring Case
9	Filter Retainer
10 ^(1,2)	Valve Cartridge
11 ^(1,2)	Valve Plug
12 ^(1,2)	Valve Spring
13 ^(1,2)	Valve Retainer
14 ^(1,2)	O-Ring
15 ^(1,2)	Soft Seat
16 ⁽¹⁾	Diaphragm Assembly
17	Spring
18	Adjusting Screw
19	Locknut
20	Upper Spring Seat
26 ⁽¹⁾	Filter Gasket
33	Closing Cap
34	Spacer
37	Thrust Washer
45	Vent Screen

1. Recommended Spare Part

2. Valve Cartridge Assembly includes keys 10, 11, 12, 13, 14, and 15.

67CS and 67CFS Series

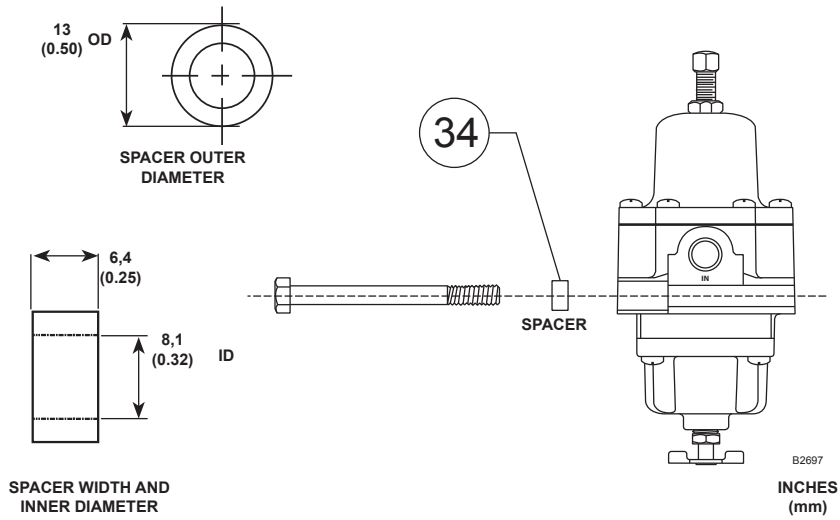
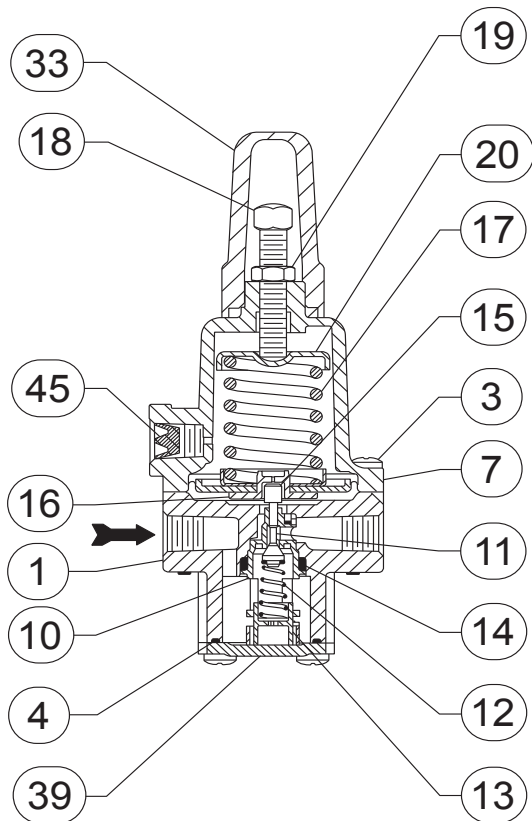
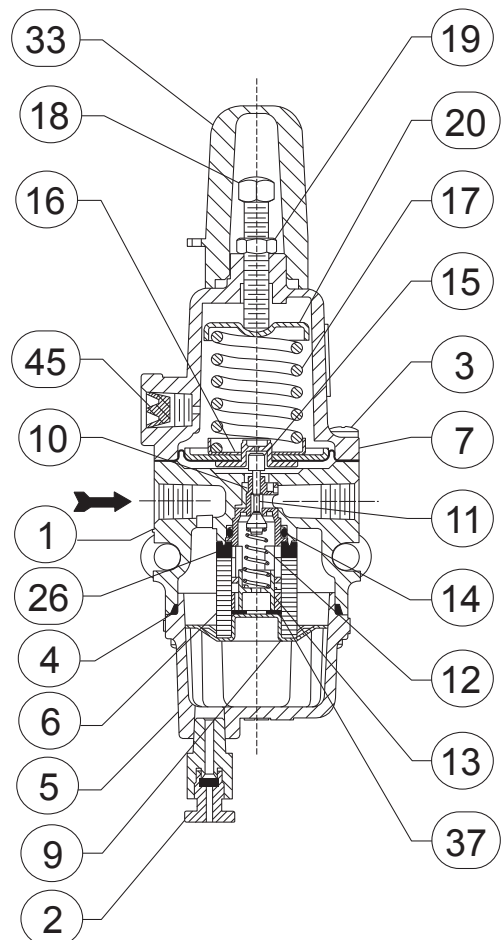


Figure 1. Types 67CFS and 67CFSR Spacer Diameter and Installation



GE03521

Figure 2. Types 67CS and 67CSR Assembly



40C1728

Figure 3. Types 67CFS and 67CFSR Assembly

67CS and 67CFS Series

Industrial Regulators

Emerson Process Management Regulator Technologies, Inc.

USA - Headquarters
McKinney, Texas 75069-1872 USA
Tel: 1-800-558-5853
Outside U.S. 1-972-548-3574

Asia-Pacific
Shanghai, China 201206
Tel: +86 21 2892 9000

Europe
Bologna, Italy 40013
Tel: +39 051 4190611

Middle East and Africa
Dubai, United Arab Emirates
Tel: +971 4811 8100

Natural Gas Technologies

Emerson Process Management Regulator Technologies, Inc.

USA - Headquarters
McKinney, Texas 75069-1872 USA
Tel: 1-800-558-5853
Outside U.S. 1-972-548-3574

Asia-Pacific
Singapore, Singapore 128461
Tel: +65 6777 8211

Europe
Bologna, Italy 40013
Tel: +39 051 4190611
Gallardon, France 28320
Tel: +33 (0)2 37 33 47 00

TESCOM

Emerson Process Management Tescom Corporation

USA - Headquarters
Elk River, Minnesota 55330-2445 USA
Tel: 1-763-241-3238

Europe
Selmsdorf, Germany 23923
Tel: +49 (0) 38823 31 0

For further information visit www.fisherregulators.com

The Emerson logo is a trademark and service mark of Emerson Electric Co. All other marks are the property of their prospective owners. Fisher is a mark owned by Fisher Controls, Inc., a business of Emerson Process Management.

The contents of this publication are presented for informational purposes only, and while every effort has been made to ensure their accuracy, they are not to be construed as warranties or guarantees, express or implied, regarding the products or services described herein or their use or applicability. We reserve the right to modify or improve the designs or specifications of such products at any time without notice.

Emerson Process Management does not assume responsibility for the selection, use or maintenance of any product. Responsibility for proper selection, use and maintenance of any Emerson Process Management product remains solely with the purchaser.