

September 2009

# Type 75A Water Pressure Regulator

## Application

The Type 75A is designed to reduce domestic or industrial water pressures to a constant pressure, thus protecting plumbing fixtures and meters from high-pressure surges. As shown in Figure 1, it is self-contained, requiring no external control line for operation.

## Installation

Check the unit for shipment damage. Clean all foreign material from the pipelines and regulator interior. Install the Type 75A in a horizontal line with the spring case above or below the line, and with flow through the regulator as indicated by the arrow cast on the body. Coat the external threads with pipe compound and draw up the connections tightly but not severely. If a snap-acting valve (solenoid valve) is used in the system, the snap-acting valve should be installed upstream of the Type 75A. The Type 75A may be damaged by high shutoff pressure if a snap-acting valve is installed downstream.

## Adjustment

One spring for each size regulator allows operation over an outlet pressure range of 20 to 80 psi (1,4 to 5,5 bar). Maximum inlet pressure is 200 psi (13,8 bar). Minimum operating differential pressure is 5 psi (0,34 bar).

To change the reduced pressure, loosen the adjusting screw locknut (key 9) and turn the adjusting screw (key 8) into the spring case to increase the reduced pressure, or out of the case to decrease it. Re-tighten the locknut.

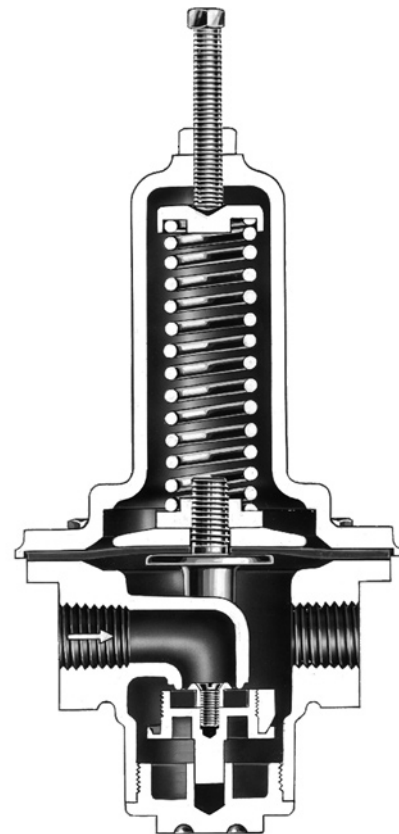


Figure 1. Type 75A Water Pressure Regulator

## Maintenance

To replace the valve disk (key 13), unscrew the guide plug (key 3) from the body. The valve disk holder (key 5) may now be unscrewed from the yoke (key 4). Be careful not to twist and rupture the diaphragm (key 12).

# Type 75A

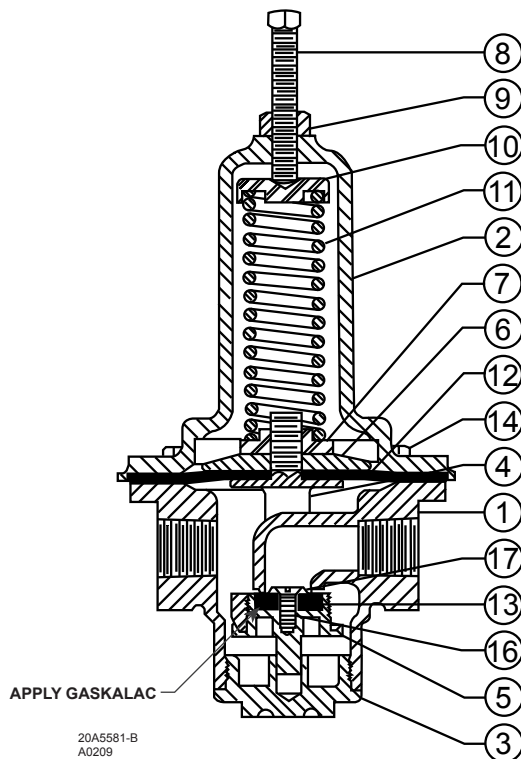
## Note

A piece of hex bar stock can be drilled out and slipped over the disk holder shaft to fit inside the holder. This simplifies removal of the holder from the yoke.

Use the following sizes of hex bar:  
**NPS 1/2 (DN 15) body – 7/8-inch (22 mm) hex;**  
**NPS 3/4 (DN 20) body – 1-inch (25 mm) hex;**  
**NPS 1 or 1-1/2 (DN 25 or 40) body – 1-1/4-inch (32 mm) hex;**  
**NPS 2 (DN 50) body – 2-inch (51 mm) hex;**  
**NPS 2-1/2 (DN 65) body – 2-1/2-inch (63 mm) hex.**

To replace valve disk, unscrew the disk retaining screw (key 16), remove old disk (key 13), apply gasket sealer to new disk and install.

To replace the diaphragm, first remove tension of the regulator spring (key 11) by turning out the adjusting screw (key 8). Remove the bolting that holds the spring case (key 2) to the body and lift off the casing and regulator spring. Unscrew the diaphragm nut (key 7) and diaphragm head (key 6). Replace the diaphragm.



NPS 1/2, 3/4, 1, AND 1-1/2 BODY (DN 15, 20, 25, AND 40)

Figure 2. Type 75A Assemblies

## Parts Ordering

When corresponding with your local Sales Office or sales representative about this regulator, always reference the type number which is found on the nameplate (key 21).

When ordering replacement parts, reference the key number of each needed part as found in the following parts list.

## Parts List

Key	Description	Part Number
1	Body Bronze	
	NPS 1/2 (DN 15)	2A940812012
	NPS 3/4 (DN 20)	2D226312012
	NPS 1 (DN 25)	2V361512012
	NPS 1-1/2 (DN 40)	3D174012012
	NPS 2 (DN 50)	3D626712012
	NPS 2-1/2 (DN 65)	3E231012012
2	Spring Case Cast Iron	
	NPS 1/2 (DN 15)	1D878619042
	NPS 3/4 (DN 20)	00085719042
	NPS 1 (DN 25)	2A480119042
	NPS 1-1/2 (DN 40)	3V361319042
	NPS 2 and 2-1/2 (DN 50 and 65)	00132019042

Key	Description	Part Number
3	Guide Plug Bronze	
	NPS 1/2 (DN 15)	0W099412012
	NPS 3/4 (DN 20)	1A971912012
	NPS 1 (DN 25)	1A950812012
	NPS 1-1/2 (DN 40)	1A974612012
	NPS 2 (DN 50)	1A975212012
	NPS 2-1/2 (DN 65)	0D023212012
4	Valve Yoke Bronze	
	NPS 1/2 (DN 15)	1A942712012
	NPS 3/4 (DN 20)	1A945512012
	NPS 1 (DN 25)	1A951412012
	NPS 1-1/2 (DN 40)	2V361412012
	NPS 2 (DN 50)	2V361612012
	NPS 2-1/2 (DN 65)	2V361712012
5	Valve Disk Holder Bronze	
	NPS 1/2 (DN 15)	1B590112012
	NPS 3/4 (DN 20)	1B590212012
	NPS 1 (DN 25)	1B867312012
	NPS 1-1/2 (DN 40)	1B867712012
	NPS 2 (DN 50)	1B867912012
	NPS 2-1/2 (DN 65)	1B869812012
6	Diaphragm Head	
	NPS 1/2 (DN 15), Steel	1A941524092
	NPS 3/4 (DN 20), Cast Iron	1A945619042
	NPS 1 (DN 25), Cast Iron	1A950919052
	NPS 1-1/2 (DN 40), Cast Iron	1V361219042
	NPS 2 and 2-1/2 (DN 50 and 65), Cast Iron	1A975819042



# Type 75A

Key	Description	Part Number	Key	Description	Part Number
16	Machine Screw Brass NPS 1/2 (DN 15) NPS 3/4 and 1 (DN 20 and 25) NPS 1-1/2 and 2 (DN 40 and 50) NPS 2-1/2 (DN 65)	1A8991X0012 0V070414012 1D567314012 J17796X0012	19*	Orifice Bronze NPS 2 (DN 50) NPS 2-1/2 (DN 65)	1A980512012 1A981012012
17	Disk Retainer Washer Brass NPS 3/4 (DN 20) NPS 1 (DN 25) NPS 1-1/2 and 2 (DN 40 and 50) NPS 2-1/2 (DN 65)	0B078214012 00147614012 1A975014012 0D023314012	20	Cap Screw Zinc-plated steel NPS 2-1/2 (DN 65) (6 required)	1A344424052
			21	Nameplate (not shown)	11B6112X012
			22	Drive Screw (not shown)	1A676728992

\*Recommended spare part.

## Industrial Regulators

### Emerson Process Management Regulator Technologies, Inc.

USA - Headquarters  
McKinney, Texas 75069-1872 USA  
Tel: 1-800-558-5853  
Outside U.S. 1-972-548-3574

Asia-Pacific  
Shanghai, China 201206  
Tel: +86 21 2892 9000

Europe  
Bologna, Italy 40013  
Tel: +39 051 4190611

Middle East and Africa  
Dubai, United Arab Emirates  
Tel: +971 4811 8100

## Natural Gas Technologies

### Emerson Process Management Regulator Technologies, Inc.

USA - Headquarters  
McKinney, Texas 75069-1872 USA  
Tel: 1-800-558-5853  
Outside U.S. 1-972-548-3574

Asia-Pacific  
Singapore, Singapore 128461  
Tel: +65 6777 8211

Europe  
Bologna, Italy 40013  
Tel: +39 051 4190611  
Gallardon, France 28320  
Tel: +33 (0)2 37 33 47 00

## TESCOM

### Emerson Process Management Tescom Corporation

USA - Headquarters  
Elk River, Minnesota 55330-2445 USA  
Tel: 1-763-241-3238

Europe  
Selmsdorf, Germany 23923  
Tel: +49 (0) 38823 31 0

For further information visit [www.emersonprocess.com/regulators](http://www.emersonprocess.com/regulators)

The Emerson logo is a trademark and service mark of Emerson Electric Co. All other marks are the property of their prospective owners. Fisher is a mark owned by Fisher Controls, Inc., a business of Emerson Process Management.

The contents of this publication are presented for informational purposes only, and while every effort has been made to ensure their accuracy, they are not to be construed as warranties or guarantees, express or implied, regarding the products or services described herein or their use or applicability. We reserve the right to modify or improve the designs or specifications of such products at any time without notice.

Emerson Process Management does not assume responsibility for the selection, use or maintenance of any product. Responsibility for proper selection, use and maintenance of any Emerson Process Management product remains solely with the purchaser.