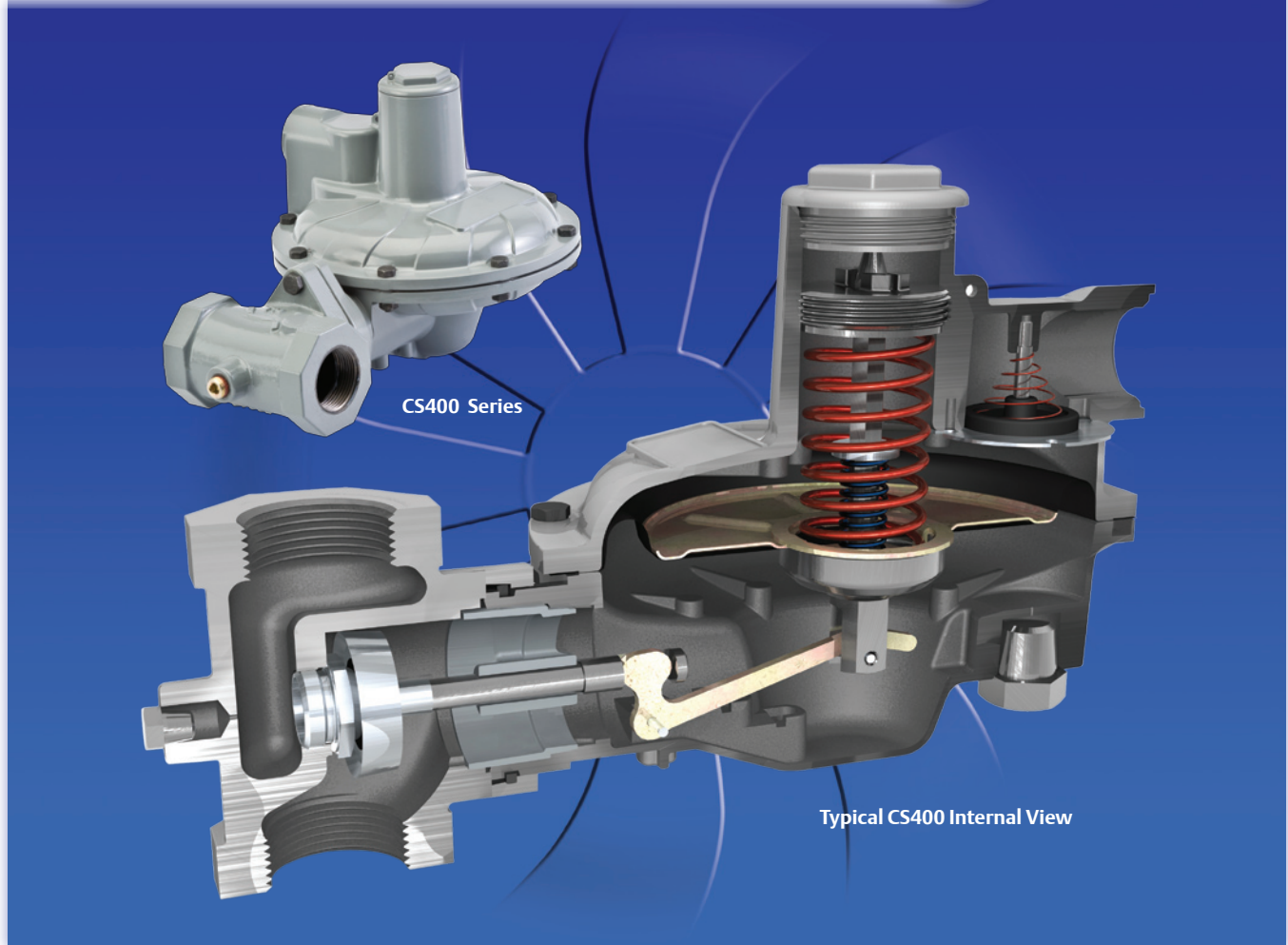


# CS400 Series

Fisher® Commercial Service Reliability



## **The Fisher® CS400 Series**

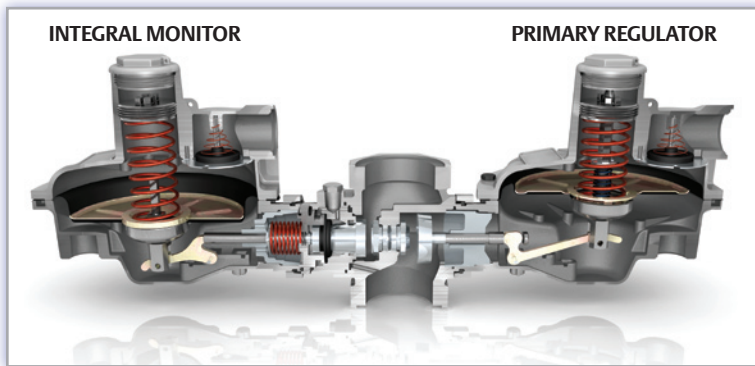
The CS400 Series direct-operated, spring-loaded regulators have been engineered to fit a multitude of pressure-reducing applications including commercial and light industrial installations. This flexibility is provided by the numerous body sizes and end connections, outlet pressure settings, orifice sizes, and the option for internal or external pressure registration. The CS400 Series also offers multiple overpressure protection options, which include Internal relief, Integral True-Monitor™ Protection and Slam-shut Protection.

## **Product advantages:**

- Higher capacities, up to 7.5M BTU LP-Gas
- New Technologies in overpressure protection
- Inlet and outlet gauge taps
- Improved corrosion resistance
- Internal or external pressure registration
- Wide variety of body sizes and end connections

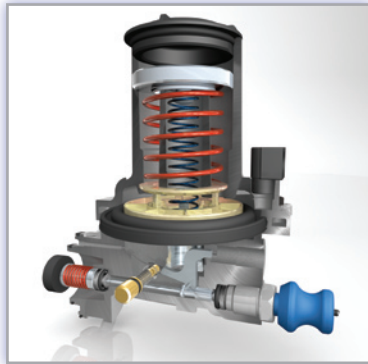


# Overpressure Protection Options



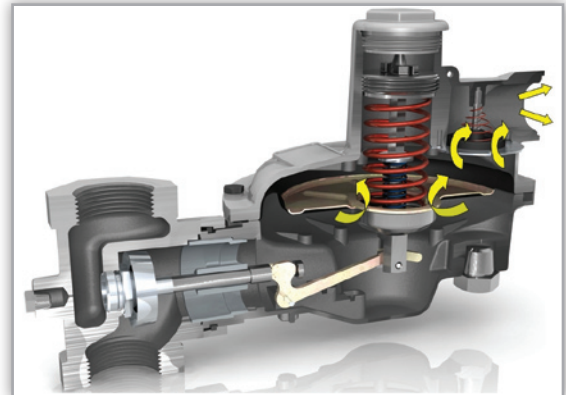
## Integral True-Monitor™ Protection

Combines the operation of a conventional two-regulator wide-open monitor set into one device without the need for a downstream control line.



## Slam-Shut

Shuts off gas service to the downstream system in the event of an overpressure or underpressure condition.



## Internal Relief

Discharges gas across the diaphragm assembly to minimize overpressure.

## CS400 Series Features

**Operation:** Direct-Operated, Spring-Loaded  
**Body Size:** NPS 1-1/4, 1-1/2, 2, NPT; ISO 7/1 Rp; NPS 2 (DN 50) CL125 FF / CL150 FF, PN 10/16  
**Maximum Operating Inlet Pressure:**  
 Up to 125 psig (8,6 bar)  
**Outlet Pressure Range:**  
 3,5-inches w.c. to 5,5 psig (9 mbar to 0,38 bar)  
**Maximum Outlet (Casing) Pressure:** 25 psig (1,7 bar)

### LP-Gas Equipment

### Emerson Process Management Regulator Technologies, Inc.

North America  
 McKinney, Texas 75069-1872 USA  
 Tel: 1-800-558-5853  
 Outside U.S. 1-972-548-3574

Asia-Pacific  
 Singapore, Singapore 128461  
 Tel: +65 6777 8211

Europe  
 28320 Gallardon, France  
 Tel: +33 237334728

Latin America  
 54080 Tlalneantla, Mexico  
 Tel: 011-52-55-26990400

### Temperature Capabilities:

-20° to 150°F (-29° to 66°C)

### Spring Case Vent Connection:

1 NPT

### Pressure Registration:

Internal or External

### Body Material:

Gray Cast Iron, Ductile Cast Iron, and Steel

### Overpressure Protection:

Internal Relief

Integral True-Monitor™ Protection

Slam-Shut Protection

Our Global Product Brand:

For further information, visit [www.emersonprocess.com/regulators/lp](http://www.emersonprocess.com/regulators/lp)



D450221T012 © 2009 Emerson Process Management Regulator Technologies, Inc. All rights reserved. Printed in the U.S.A. 03/09. Fisher, Emerson Process Management, and the Emerson Process Management design are marks of one of the Emerson Process Management group of companies. All other marks are the property of their respective owners.

