

Types J30 and J31 Rotary Gauges

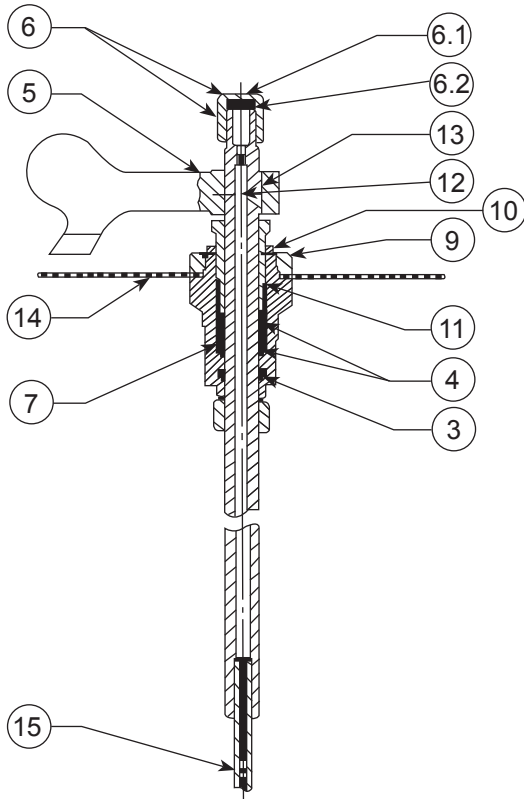


Figure 1. Type J30

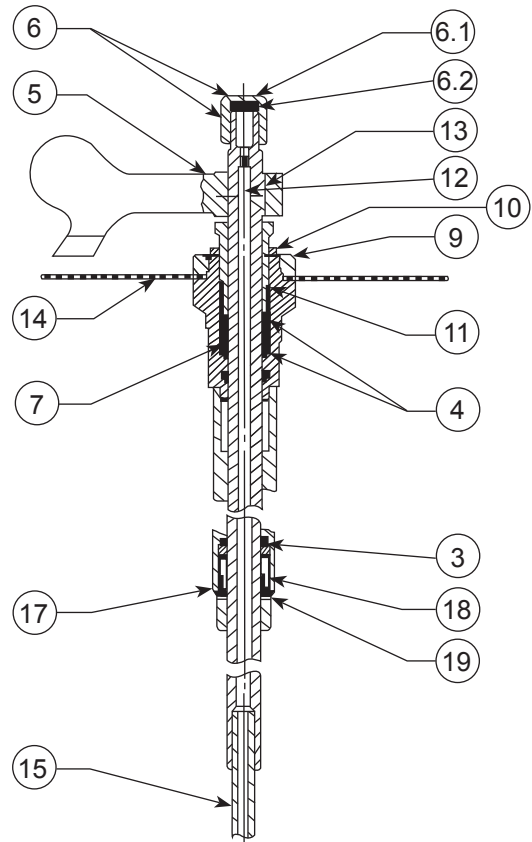


Figure 2. Type J31

Parts List

Key	Description	Part Number	Key	Description	Part Number
3*	O-ring	T1095106992	13	Key	T1096528982
4*	Packing Sleeve	T1095606162	14	Dial	Type P322
5	Indicator	T1088719232		1200 Gallons (4543 liters) and under	Type P323
6*	Cap and Disc Assembly	T10971000A2		Over 1200 Gallons (4543 liters)	Type P324
6.1*	Cap	T1095824102		NH ₃ Service	
6.2*	Seat Disc	1C682403022	15	Dip Tube Assembly (Specify "L" Length)	
7	Friction Plug	T1095706162		Type J30	T11048000A2
9	Lock Nut	T1096124102		Type J31	T11047000A2
10	Lock Nut	T1096224102	17	Insert (Type J31 Only)	T1095224102
11	Seal Nut	T1096335132	18	Needle Bearing (Type J31 Only)	T1095328992
12	Set Screw	T1096428982	19	Washer (Type J31 Only)	T1095406162

*Recommended Spare Parts



Types J30 and J31

Replacement Parts Sheet

MCK-1062

March 1982

Fisher and Fisher Regulators are marks owned by Fisher Controls International, LLC. The Emerson logo is a trademark and service mark of Emerson Electric Co. All other marks are the property of their respective owners.

The contents of this publication are presented for informational purposes only, and while every effort has been made to ensure their accuracy, they are not to be construed as warranties or guarantees, expressed or implied, regarding the products or services described herein or their use or applicability. We reserve the right to modify or improve the designs or specifications of such products at any time without notice.

Fisher does not assume responsibility for the selection, use or maintenance of any product. Responsibility for proper selection, use and maintenance of any Fisher product remains solely with the purchaser.

Emerson Process Management

Fisher Controls International, LLC.

P.O. Box 8004

McKinney, Texas 75070, USA

Telephone: 1 (800) 558-5853

Telephone: 1 (469) 293-4201