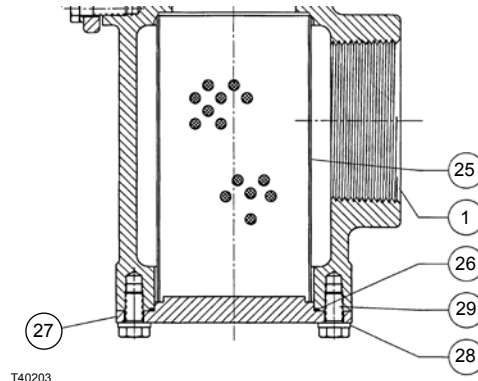
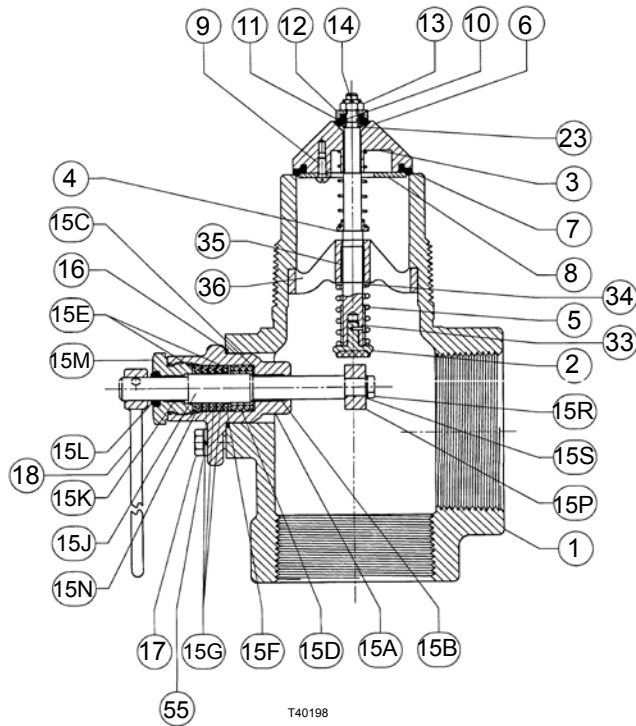


Types C402, C421, & C427 in 2 and 3-Inch NPT Bodies



Parts List

Gland and Packing Assembly--Includes All Key Number 15 Parts

Completely Assembled	
2-Inch NPT Valves	T20377000A2
3-Inch NPT Valves	T20430000A2

Replacement Parts Kit

Includes Key Numbers 7, 11, 14, 15B, 15F, 15G, 15H, 15K, 16, 19, 23, 26, 35	
2-Inch NPT Valves	RC40016T012
3-Inch NPT Valves	RC40024T012

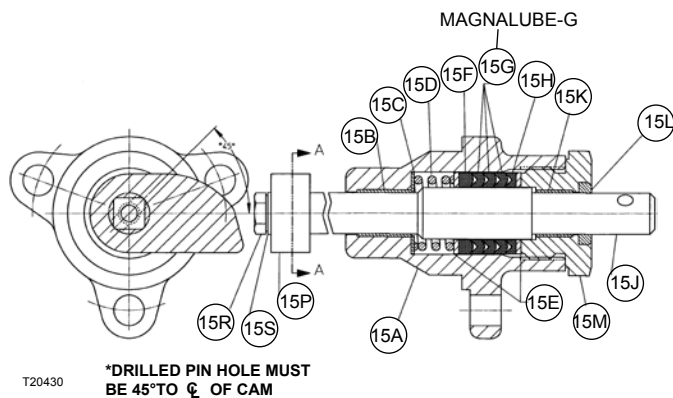


Figure 2. 2 and 3-Inch NPT Packing Gland Parts

Key Description

Part Number

1	Body 2-Inch Ductile Iron Type C421-16 3-Inch Ductile Iron Type C421-24 2-Inch Steel Type C402-16 3-Inch Steel Type C402-24 2-Inch Ductile Iron Type C427-16 3-Inch Ductile Iron Type C427-24	T40195T0012 T80119T0012 T8011122012 T8012122012 T40132T0012 T80089T0012
2	Stem Assembly 2-Inch NPT Size 3-Inch NPT Size	T11878000A2 T11887000A2
2A	Stem 2-Inch NPT Size 3-Inch NPT Size	T1187935032 T1177235032
2B	Follower Assembly Plug Holder Wear Plug	T11880000A2 T1187135132 T1187201012
2C	Groove Pin	1J1560T0012

C400 Series

Key	Description			Part Number	Key	Description	Part Number
3	Excess Flow Spring				15H*	Female Adaptor	1H941601012
		Half	Full		15J	Stub Shaft	
	Closing Flow -- GPM Propane	Coupling	Coupling			2-Inch NPT Size	T2037835072
	2-Inch NPT Size (Red)	100	60	T1188637022		3-Inch NPT Size	T2043135072
	(Yellow)	150	90	T1153537022	15K*	Liner Bushing	T1155106992
	(Pink)	250	130	T1200537022	15L	Rod Wiper	T1155206992
	3-Inch NPT Size (Yellow)	150	100	T1192537022	15M	Bonnet	T1155324102
	(Orange)	200	125	T1192437022	15P	Cam	T1155521992
	(Pink)	250	165	T1215237022	15R	Cap Screw	1B848024052
	(Black)	400	235	T1177337022	15S	Washer	1C225628982
	(Cadmium)	500	325	T1226237022	16*	O-Ring	T1155706562
4	Spring Seat			T1153624102	17	Cap Screw (3 required)	T1249970012
5	Closing Spring			T1153737022	18	Lever	T1155919312
6	Disc Holder				19*	Cotter Pin (Stub Shaft to Lever— Not Shown)	1H837128982
	2-Inch NPT Size			T20376T0012	20	Nameplate (Not Shown)	Not Orderable
	3-Inch NPT Size			T2042924102	21	Drive Screw (2 required) (Not Shown)	1A368228982
7*	Main Disc				22	Pipe Plug (Not Shown)	T13718T0012
	2-Inch NPT Size			T1154003202	23*	Washer	T1188228982
	3-Inch NPT Size			T1177403032	25	Strainer	
8	Disc Retainer					2-Inch NPT Size C402-16	T1205538992
	2-Inch NPT Size			T1154125072		3-Inch NPT Size C402-24	T1205638992
	3-Inch NPT Size			T1177525072	26*	O-Ring	
9	Screw (3 required)			1A954828992		2-Inch NPT Size C402-16	T1205006562
10	Disc Retainer			T1154224102		3-Inch NPT Size C402-24	T1205106562
11*	Bleed Disc			T11543T0012	27	Bottom Flange	
12	Disc Holder			T1154424102		2-Inch NPT Size C402-16	T1205424332
13	Nut			GE04678T012		3-Inch NPT Size C402-24	T2047924332
14	Cotter Pin			T1241338992	28	Lockwasher (8 required)	T1022628982
15	Gland Assembly				29	Cap Screw (8 required)	T1206335452
	2-Inch NPT Size			T20377000A2	30	Fusible Link	1J157443992
	3-Inch NPT Size			T20430000A2	33	Travel Stop	T1240838072
15A	Gland			T2038022012	34	Washer	T1221236152
15B	Liner Bushing			T1154506992	35	Bushing	T1221306992
15C	Washer			T1154625072	36	Guide	
15D	Spring			T1154737022		2-Inch NPT Size	T12918T0012
15E	Washer (2 required)			T1154825072		3-Inch NPT Size	T12511T0012
15F*	Male Adaptor			T1154901012	53	Instruction Manual	D450022T012
15G*	Packing Ring (3 required)			T1155001012	55	Lock Washer (3 required)	1C2257K0012

* Recommended Spare Part

LP-Gas Equipment

Emerson Process Management Regulator Technologies, Inc.

USA - Headquarters
McKinney, Texas 75069-1872 USA
Telephone: 1 (800) 558-5853
Telephone: 1 (972) 548-3574

For further information visit www.fisherregulators.com/lp

The Emerson logo is a trademark and service mark of Emerson Electric Co. All other marks are the property of their prospective owners. Fisher is a mark owned by Fisher Controls, Inc., a business of Emerson Process Management.

The contents of this publication are presented for informational purposes only, and while every effort has been made to ensure their accuracy, they are not to be construed as warranties or guarantees, express or implied, regarding the products or services described herein or their use or applicability. We reserve the right to modify or improve the designs or specifications of such products at any time without notice.

Emerson Process Management does not assume responsibility for the selection, use or maintenance of any product. Responsibility for proper selection, use and maintenance of any Emerson Process Management product remains solely with the purchaser.