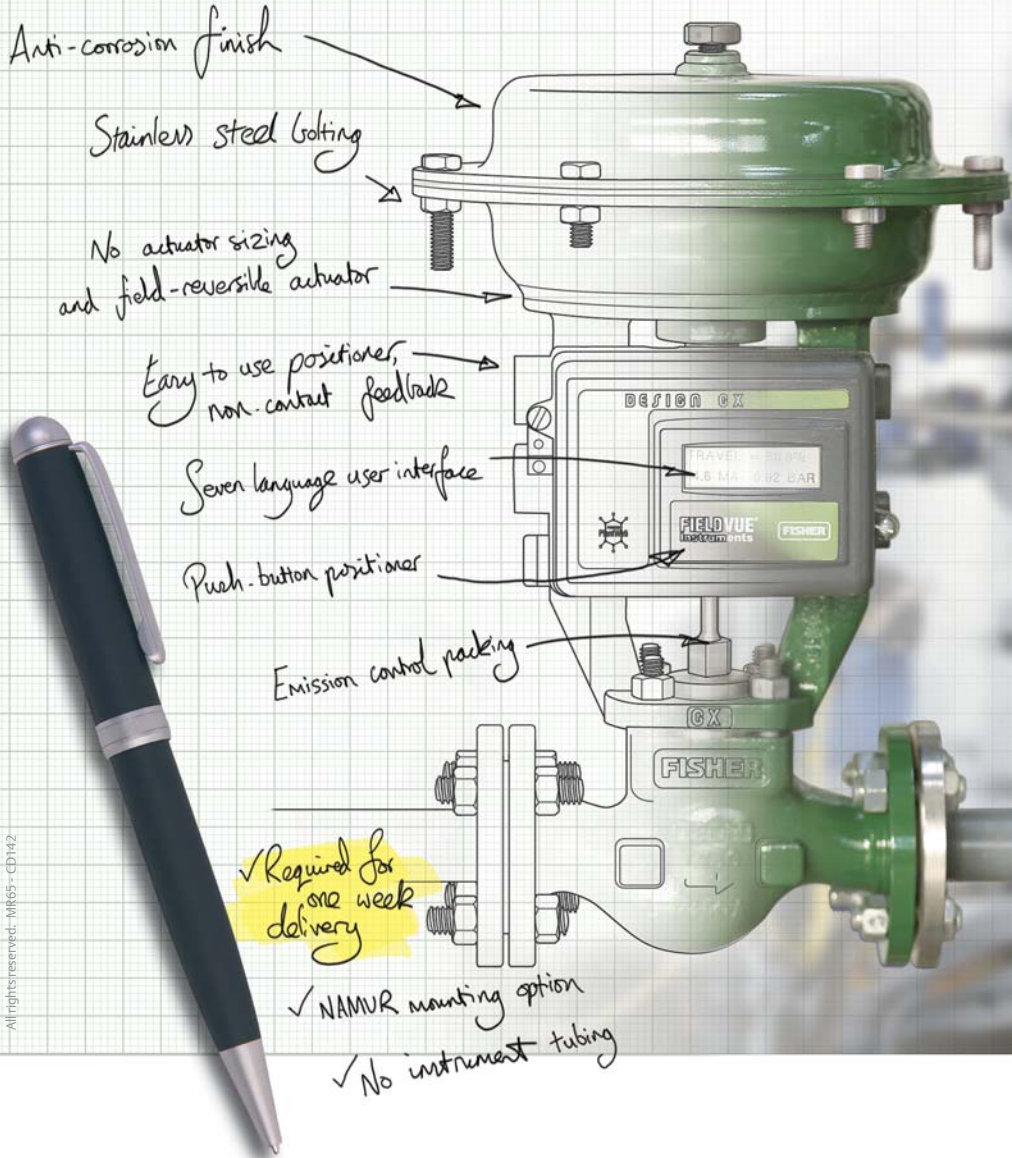


You told us what you wanted



Emerson and the Emerson logo are trademarks and service marks of Emerson Electric Co. © Fisher Controls International LLC, 2005. All rights reserved. MK95-CD142

Designed by Emerson with innovation, technology and reliability in mind — the new Fisher® GX control valve can be working in your plant next week



Following extensive research to establish what users want from their ideal control valve, Emerson Process Management developed their new Fisher GX control valve. This high quality, compact valve delivers an unequalled control valve solution for the process control industry. The GX valve and the new Fisher FIELDVUE® DVC2000 digital valve controller combine to provide predictive intelligence via PlantWeb® digital plant architecture. Delivery in one week is standard for the GX valve. If you'd like to learn more about GX, call your Emerson sales contact. Or visit www.Fisher.com.



EMERSON. CONSIDER IT SOLVED.™