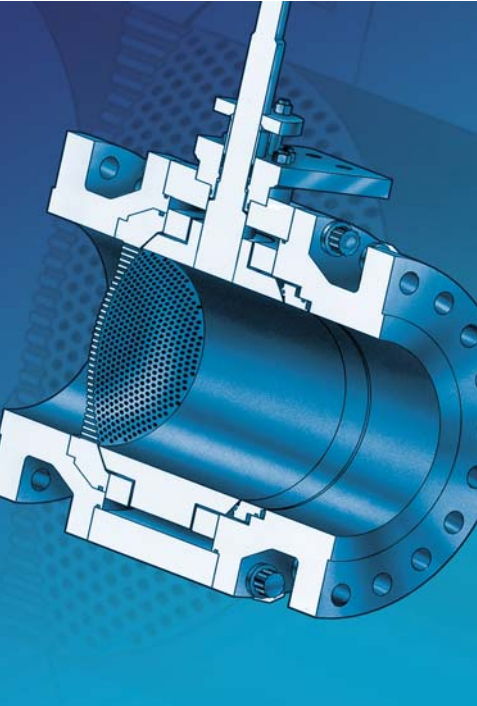


For more Severe Service solutions see us at www.fishersevereservice.com.



The Design V260 is a full bore control valve designed from the ground up with features for optimized pressure, flow and process control. An integral attenuator controls noise and vibration from high pressure drop liquids and gases. The splined shaft connection to the actuator reduces lost motion.

Features:

- **Superior Throttling Performance** - The splined ball to shaft connection, splined shaft to actuator connection, double power-end bushing assemblies, and trunnion guiding, all provide improved dynamic control.
- **Aerodynamic Performance** - Up to 20 dBA acoustical attenuation can be achieved for the V260A within a single stage construction. Dual-stage construction can provide up to 25 dBA attenuation.
- **Improved Service Life** - The attenuator is an integral part of the valve assembly. The seal wipes the ball surface, not the attenuator, promoting increased service life.
- **Trim Versatility** - Key valve components, such as valve body, ball, shaft and bearings, are interchangeable between the Design V260A, V260B and V260C. This

feature allows you to reduce your spare parts inventory and maintenance time.

- **Sour Gas Service and Sour Crude Oil Capability** - Optional materials are available that comply with NACE Standard MR0175.
- **Tight Shutoff** - Self-adjusting seal(s) that are pressure assisted provide tight shutoff for longer reliable service. The design incorporates a heavy duty S31600 stainless steel carrier that retains the composition seal for full-rated pressure drop service.
- **Heavy Duty Trunnion** - The ball trunnions are designed for demanding applications requiring longer service life, with a reduction in maintenance time and costs.
- **Broad Hydrodynamic Applications** - Single, dual, and three-stage attenuators for the V260B may be provided for a varying range of cavitation applications. A Kc value of 1.0 is achievable depending on service conditions.
- **Flexible Applications** - The attenuator is active throughout the ball rotation for very demanding services or a characterized attenuator is used to match the service conditions.
- **Characterization** - Special characterized cages are available to provide customer specified rangeability for specific system requirements.

Operational Overview:

The Fisher V260 is designed for throttling service and differs significantly from typical ball valves developed as block valves. Special attention is applied to the friction and shut-off capability of the sealing mechanism to minimize stick-slip on rotation (stiction). Dimensions are controlled to create a pressure assist to the lightly biased seat ring. Other major features supporting the throttling design objectives are the splined shaft to ball and splined shaft to actuator connections that minimize lost motion. The rugged double drive bearing concept and the opposite stub shaft bearing, control the dynamic and shut-off forces unique to throttling applications.

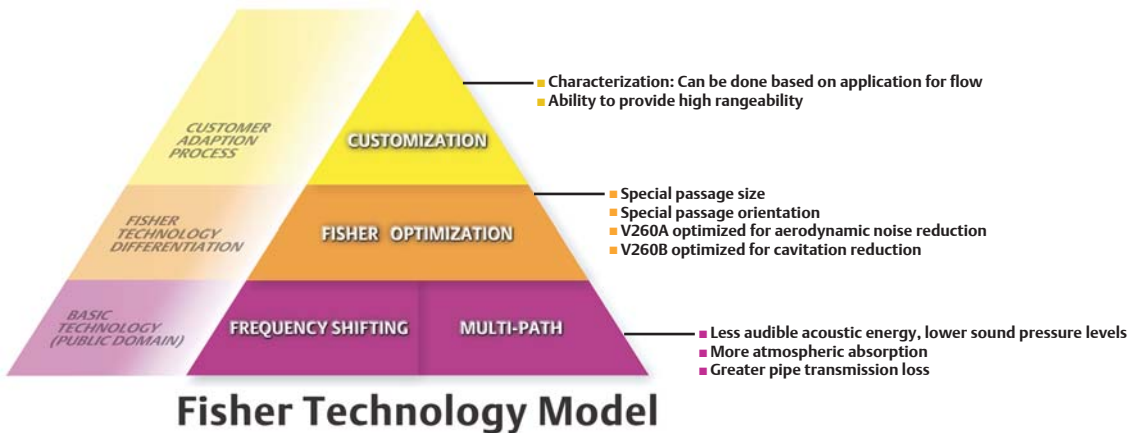
Emerson Process Management
Marshalltown, Iowa 50158 USA
www.fishersevereservice.com



Typical Applications:

Hydrocarbon: Crude Feed Valve, Compressor Recycle, Gas Transmission, Gas to Flare

Power: LP Steam to Condenser



Optimization Details:

- **Special passage size** - Our passage sizes have been designed to attain the utmost benefits of frequency shifting
- **Special passage orientation** - Prevents jet recombination and lowering of frequency impacting the benefits of frequency shifting

© 2004 Fisher Controls International LLC

Fisher and Emerson Process Management are marks owned of one of the companies in the Emerson Process Management business division of Emerson Electric Co. The Emerson logo is a trademark and service mark of Emerson Electric Co. All other marks are the property of their respective owners.

The contents of this publication are presented for informational purposes only, and while every effort has been made to ensure their accuracy they are not to be construed as warranties or guarantees, expressed or implied, regarding the products described herein or their use or applicability. All sales are governed by our terms and conditions, which are available upon request. We reserve the right to modify or improve the designs or specifications of such products at any time without notice. Fisher does not assume responsibility for the selection, use or maintenance of any product. Responsibility for proper selection, use and maintenance of any Fisher product remains solely with the purchaser or end-user.

