

Industrial Control Transformers

IP20 (Touch Proof Cover) Installation Manual

I P 2 0



7 8 3 4 7 2 0 0 2 6 3 4

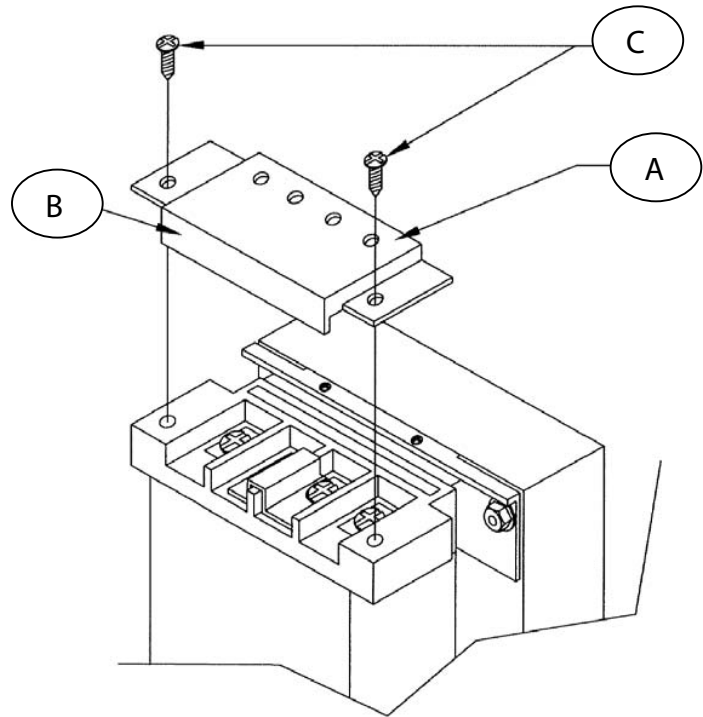


P/N: 272-38176-04
REV. 02 (05/16)
©2016 Appleton Grp LLC d/b/a Appleton Group
All rights reserved. Specifications
subject to change without notice.



Caution

*Make sure all power is off
before any wiring is started.*



This kit includes two plastic covers for the Primary and Secondary terminal blocks on the transformer. Both covers are required for IP20 rating.

The covers are designed to meet IEC 529, IP20 requirements and have holes for test lead access.

Before the covers are installed, connect the Primary and Secondary leads per the instructions included with the transformer or fuse kits.

IP20 Cover Installation

1. Install the IP20 cover (A) on to the transformer terminal block per the illustration using two thread forming screws (C) included. Make sure the lip (B) of the cover is towards the outside of the transformer.
2. Repeat for the other transformer terminal block.

Included with the IP20 kit:

- Two plastic Touch Proof Covers TPC1
- Four thread forming screws
- Instruction Sheet