

MCR Hardwired Series – 50 Hz & 60 Hz

User Manual



Contents

1.0 Important Safety Instructions	3
2.0 Warnings Defined	3
3.0 Introduction	3
4.0 Installation Instructions	3
4.1 Receiving	3
4.2 Mounting & Ventilation	3
4.3 Mechanical Drawings & Dimensions	4
4.4 Electrical	6
5.0 Parallel & Three-Phase Connections	12
5.1 Parallel Operation	12
5.2 Three-Phase Connection Operation	12
6.0 Operating Notes & Data	13
6.1 Checking with Voltmeters	13
6.2 Load Regulation	13
6.3 Effect of Load Power Factor	13
6.4 Operation with Switch-Mode Power Supplies	13
6.5 Effect of Frequency	13
6.6 Response Time	13
6.7 Input Characteristics	13
6.8 Current Limitations	14
6.9 Operation with Motor Loads	14
7.0 Service & Maintenance	14
7.1 Service & Maintenance	14
7.2 Field Replacement of Capacitors	14
8.0 Troubleshooting	14
9.0 Specifications	15
10.0 Warranty & Support	15
10.1 Warranty Information	15
10.2 Technical Support	15

1.0 Important Safety Instructions

Please read all safety, installation, and operating instructions before attempting to install or operate the unit.

⚠ DANGER! High voltages are present inside the unit. Do not reach inside while it is energized. This unit contains no user-serviceable parts.

2.0 Warnings Defined

⚠ DANGER! Indicates an imminently hazardous situation that, if not avoided, will result in death or serious injury. This signal word is limited to the most extreme situations.

⚠ WARNING! Indicates a potentially hazardous situation that, if not avoided, could result in death or serious injury.

⚠ CAUTION! Indicates a potentially hazardous situation that, if not avoided, may result in minor or moderate injury. It may also be used to alert against unsafe practices.

3.0 Introduction

The SolaHD Micro/Mini Computer Regulator (MCR) provides voltage regulation and isolation from both transverse and common mode noise for any type of load. It also suppresses transients with ferroresonant, protects overloads, and serves as a dedicated line. It is the ultimate in ac power conditioning equipment.

4.0 Installation Instructions

4.1 Receiving

Upon receipt, immediately inspect the unit for obvious signs of shipping damage and/or mishandling. If damaged, photograph the unit, inform the carrier, and contact your SolaHD representative.

4.2 Mounting & Ventilation

These units are for use in an indoor humidity and temperature controlled environment. Mount the unit in either a horizontal or vertical position. The unit should be located where contact with the transformer's hot surface is unlikely. If mounted in a vertical position (e.g. on a wall), steel mounting hardware must be selected in accordance with Table 1. The wiring compartment should also be facing up.

MCR Rated VA	Steel Mounting Screws (Minimum Diameter)
120 VA	#10 machine screws
250 VA	1/4 in. bolts
500–1000 VA	5/16 in. bolts
1500–10000 VA	3/8 in. bolts
15000 VA	1/2 in. bolts

All regulators generate a considerable amount of heat and depend on natural convection for adequate cooling. It is important that ventilation openings not be obstructed. Mounting in a confined or poorly ventilated space should be avoided, unless special provisions have been made for ventilation. For proper ventilation, allow a minimum of 12 inches of clearance above the unit and minimum of 6 inches of clearance on each side.

4.3 Mechanical Drawings & Dimensions

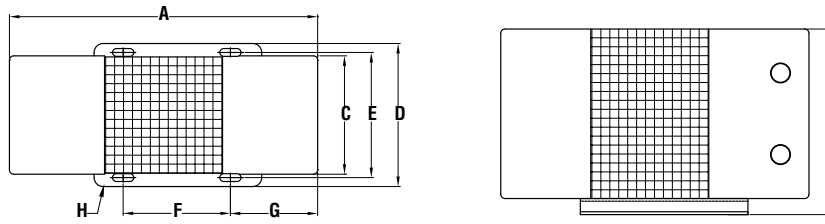


FIGURE 1

Hz	Catalog Number	Dimensions in inches [mm]								Ship Weight lb. [kg]
		A	B	C	D	E	F	G	H	
60	63-23-112-4	8.62 [219]	5.19 [132]	3.31 [84]	4.00 [102]	3.50 [89]	3.00 [76]	2.90 [74]	0.22 x 0.59 [6 x 15]	15 [6.80]
50	63-23-612-8	9.09 [231]	7.44 [189]	4.50 [114]	5.39 [137]	4.76 [121]	4.13 [105]	2.17 [55]	0.31 x 0.69 [8 x 18]	18 [8.08]
60	63-23-125-4	9.88 [251]	7.44 [189]	4.50 [114]	5.62 [143]	4.76 [121]	4.13 [105]	3.06 [78]	0.31 x 0.69 [8 x 18]	27 [12.25]
50	63-23-625-8	10.59 [269]	7.44 [189]	4.50 [114]	5.39 [137]	4.76 [121]	4.13 [105]	2.17 [55]	0.31 x 0.69 [8 x 18]	27 [12.24]
60	63-23-150-8	12.69 [322]	6.44 [164]	7.78 [198]	9.00 [229]	8.12 [206]	5.62 [143]	3.06 [78]	0.38 x 0.81 [10 x 21]	37 [16.78]
60	63-31-150-8	12.69 [322]	6.44 [164]	7.78 [198]	9.00 [229]	8.12 [206]	5.62 [143]	3.06 [78]	0.38 x 0.81 [10 x 21]	38 [17.24]
50	63-23-650-8	13.27 [337]	6.38 [162]	7.76 [197]	9.00 [229]	8.12 [206]	5.62 [143]	3.58 [91]	0.38 x 0.81 [10 x 21]	40 [18.14]
60	63-23-175-8	13.69 [348]	6.44 [164]	7.78 [198]	9.00 [229]	8.12 [206]	5.62 [143]	3.06 [78]	0.38 x 0.81 [10 x 21]	52 [23.59]
60	63-23-210-8	16.75 [425]	6.44 [164]	7.78 [198]	9.00 [229]	8.12 [206]	5.62 [143]	5.25 [133]	0.38 x 0.81 [10 x 21]	62 [28.12]
60	63-23-210-C8	16.75 [425]	7.44 [189]	7.78 [198]	9.00 [229]	8.12 [206]	5.62 [143]	5.25 [133]	0.38 x 0.81 [10 x 21]	62 [28.12]
60	63-32-210-8	16.75 [425]	6.44 [164]	7.78 [198]	9.00 [229]	8.12 [206]	5.62 [143]	5.25 [133]	0.38 x 0.81 [10 x 21]	62 [28.12]
50	63-23-710-8	17.95 [456]	6.38 [162]	7.76 [197]	9.00 [229]	8.12 [206]	5.62 [143]	5.83 [148]	0.38 x 0.81 [10 x 21]	62 [28.12]

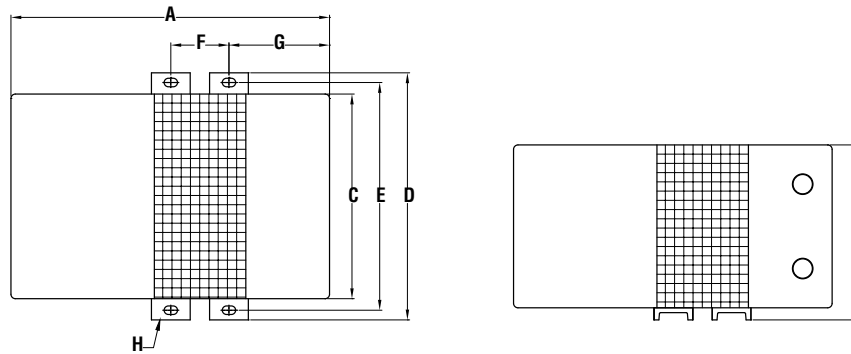


FIGURE 2

Hz	Catalog Number	Dimensions in inches [mm]								Ship Weight lb. [kg]
		A	B	C	D	E	F	G	H	
60	63-23-215-8	16.44 [418]	9.03 [229]	10.56 [268]	12.75 [324]	11.75 [298]	3.00 [76]	5.19 [132]	0.44 x 0.69 [11 x 18]	95 [43.10]
60	63-23-215-C8	16.44 [418]	9.03 [229]	10.56 [268]	12.75 [324]	11.75 [298]	3.00 [76]	5.19 [132]	0.44 x 0.69 [11 x 18]	95 [43.10]
60	63-23-220-8	17.31 [440]	9.03 [229]	10.56 [268]	12.75 [324]	11.75 [298]	3.88 [99]	5.19 [132]	0.44 x 0.69 [11 x 18]	109 [49.44]
60	63-23-220-C8	17.31 [440]	9.03 [229]	10.56 [268]	12.75 [324]	11.75 [298]	3.88 [99]	5.19 [132]	0.44 x 0.69 [11 x 18]	109 [49.44]
60	63-32-220-8	17.31 [440]	9.03 [229]	10.56 [268]	12.75 [324]	11.75 [298]	3.88 [99]	5.19 [132]	0.44 x 0.69 [11 x 18]	109 [49.44]
50	63-23-720-8	17.60 [447]	9.33 [237]	10.56 [268]	12.75 [324]	11.75 [298]	4.21 [107]	5.00 [127]	0.44 x 0.69 [11 x 18]	112 [50.81]
60	63-23-230-8	18.69 [475]	9.03 [229]	10.56 [268]	12.75 [324]	11.75 [298]	5.25 [133]	5.19 [132]	0.44 x 0.69 [11 x 18]	142 [64.41]
60	63-23-230-C8	18.69 [475]	9.03 [229]	10.56 [268]	12.75 [324]	11.75 [298]	5.25 [133]	5.19 [132]	0.44 x 0.69 [11 x 18]	142 [64.41]
60	63-32-230-8	18.69 [475]	9.03 [229]	10.56 [268]	12.75 [324]	11.75 [298]	5.25 [133]	5.19 [132]	0.44 x 0.69 [11 x 18]	142 [64.41]
50	63-23-730-8	26.65 [677]	9.37 [238]	10.59 [269]	12.75 [324]	11.75 [298]	6.06 [154]	3.70 [94]	0.44 x 0.69 [11 x 18]	160 [72.59]
60	63-23-250-8	28.19 [716]	9.03 [229]	10.56 [268]	12.75 [324]	11.75 [298]	8.25 [210]	8.88 [226]	0.44 x 0.69 [11 x 18]	222 [100.70]
60	63-23-250-C8	28.19 [716]	9.03 [229]	10.56 [268]	12.75 [324]	11.75 [298]	8.25 [210]	8.88 [226]	0.44 x 0.69 [11 x 18]	222 [100.70]
60	63-29-250-8	28.19 [716]	9.03 [229]	10.56 [268]	12.75 [324]	11.75 [298]	8.25 [210]	8.88 [226]	0.44 x 0.69 [11 x 18]	222 [100.70]
50	63-23-750-8	30.00 [762]	9.37 [238]	10.59 [269]	12.76 [324]	11.75 [298]	9.37 [238]	3.70 [94]	0.44 x 0.69 [11 x 18]	242 [109.79]

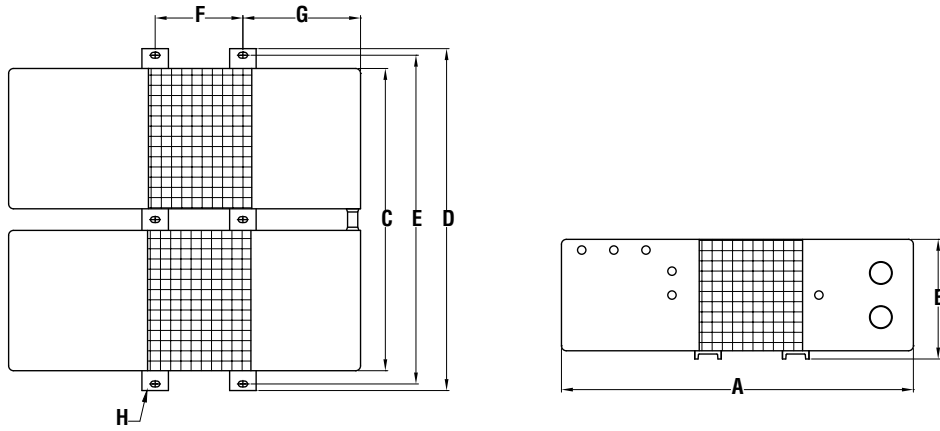


FIGURE 3

Table 4: Dimensions— Figure 3										
Hz	Catalog Number	Dimensions in inches [mm]								Ship Weight lb. [kg]
		A	B	C	D	E	F	G	H	
60	63-28-275-8	26.56 [675]	9.03 [229]	22.81 [579]	25.81 [656]	24.81 [630]	6.62 [168]	8.88 [226]	0.44 x 0.69 [11 x 18]	
60	63-29-275-8	26.56 [675]	9.03 [229]	22.81 [579]	25.81 [656]	24.81 [630]	6.62 [168]	8.88 [226]	0.44 x 0.69 [11 x 18]	
50	63-23-775-8	27.99 [711]	9.37 [238]	24.49 [622]	25.81 [656]	24.81 [630]	7.36 [187]	3.70 [94]	0.44 x 0.69 [11 x 18]	
60	63-28-310-8	28.19 [716]	9.03 [229]	22.81 [579]	25.81 [656]	24.81 [630]	8.25 [210]	8.88 [226]	0.44 x 0.69 [11 x 18]	
60	63-29-310-8	28.19 [716]	9.03 [229]	22.81 [579]	25.81 [656]	24.81 [630]	8.25 [210]	8.88 [226]	0.44 x 0.69 [11 x 18]	
50	63-23-810-8	30.00 [762]	9.37 [238]	24.49 [622]	25.81 [656]	24.81 [630]	9.37 [238]	3.70 [94]	0.44 x 0.69 [11 x 18]	

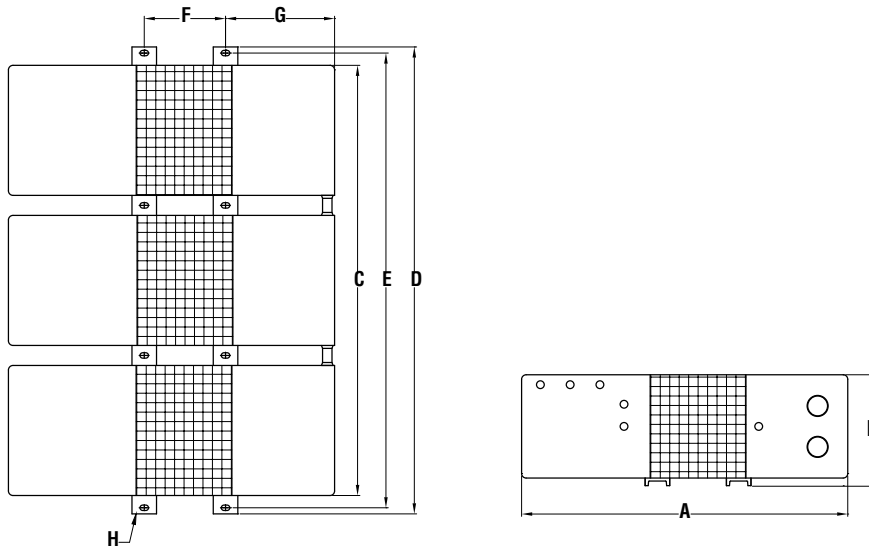


FIGURE 4

Table 5: Dimensions— Figure 4										
Hz	Catalog Number	Dimensions in inches [mm]								Ship Weight lb. [kg]
		A	B	C	D	E	F	G	H	
60	63-28-315-8	28.19 [716]	9.38 [238]	35.56 [903]	38.25 [972]	37.22 [945]	8.25 [210]	8.88 [226]	0.56 x 0.69 [14 x 18]	
60	63-29-315-8	28.19 [716]	9.38 [238]	35.56 [903]	38.25 [972]	37.22 [945]	8.25 [210]	8.88 [226]	0.56 x 0.69 [14 x 18]	
50	63-28-815-8	30.00 [762]	9.38 [238]	36.00 [914]	38.25 [972]	37.22 [945]	9.38 [238]	3.70 [94]	0.56 x 0.69 [14 x 18]	

4.4 Electrical

All hardwired units should be installed in accordance with local and national electrical codes.

For Catalog Numbers 63-23-112-4 & 63-23-125-4

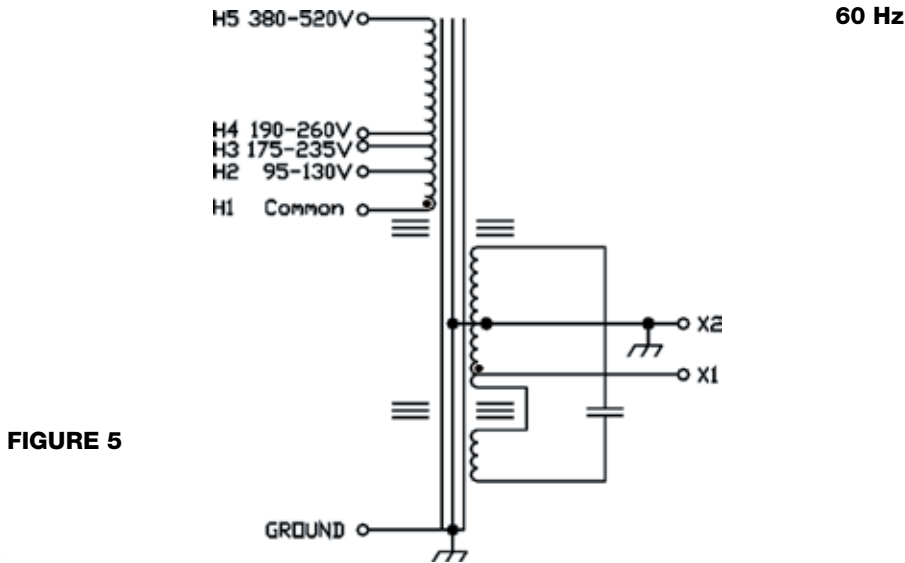


FIGURE 5

Catalog Number	Primary Voltage	Connect Lines to
63-23-112-4 63-23-125-4	120	H1 and H2
	208	H1 and H3
	240	H1 and H4
	480	H1 and H5
	Secondary Voltage	Connect Lines to
	120	X1 and X2

Catalog Number	VA	BTU Output at Full load, +40°C Ambient
63-23-112-4	120	136
63-23-125-4	250	225

Catalog Number	Required Circuit Protection/Minimum Gauge for 90°C Wire					Minimum Gauge for 90°C Wire		
	Input Voltage					Output Voltage		
	95-130	175-235	190-260	380-520	475-650	120	208	240
63-23-112-4	3 A/14 AWG	3 A/14 AWG	3 A/14 AWG	1 A/14 AWG	---	14 AWG	---	---
63-23-125-4	6 A/14 AWG	3 A/14 AWG	3 A/14 AWG	1 A/14 AWG	---	14 AWG	---	---

For Catalog Numbers 63-23-150-8, 63-23-175-8, 63-23-210-8*, 63-23-215-8*, 63-23-220-8*, 63-23-230-8*, & 63-23-250-8*

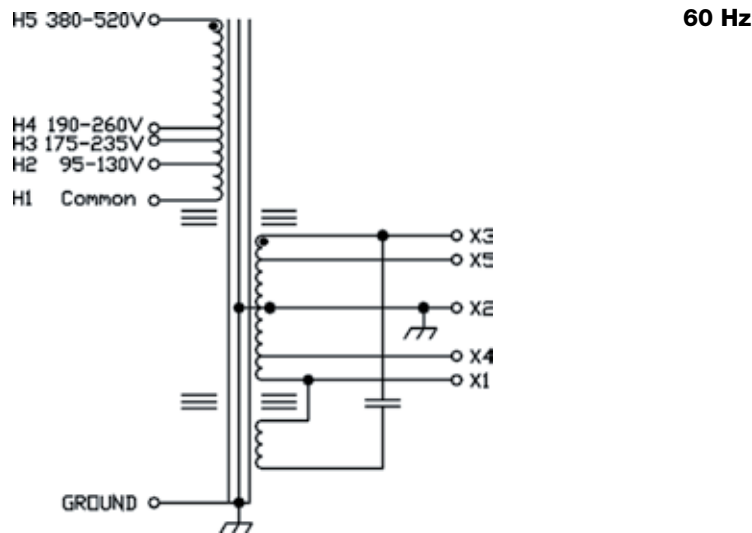


FIGURE 6

Catalog Numbers	Primary Voltage	Connect Lines to
63-23-150-8	120	H1 and H2
63-23-175-8	208	H1 and H3
63-23-210-8*	240	H1 and H4
63-23-215-8*	480	H1 and H5
63-23-220-8*		
63-23-230-8*	Secondary Voltage	Connect Lines to
63-23-250-8*	120	X1 and X2

Catalog Number	VA	BTU Output at Full load, +40°C ambient
63-23-150-8	500	280
63-23-175-8	750	444
63-23-210-8*	1000	519
63-23-215-8*	1500	686
63-23-220-8*	2000	1229
63-23-230-8*	3000	1331
63-23-250-8*	5000	2117

Catalog Number	Required Circuit Protection/Minimum Gauge for 90°C Wire					Minimum Gauge for 90°C Wire		
	Input Voltage					Output Voltage		
	95-130	175-235	190-260	380-520	475-650	120	208	240
63-23-150-8	10 A/14 AWG	6 A/14 AWG	6 A/14 AWG	3 A/14 AWG	---	14 AWG		
63-23-175-8	15 A/14 AWG	10 A/14 AWG	6 A/14 AWG	3 A/14 AWG	---	14 AWG		
63-23-210-8*	15 A/14 AWG	10 A/14 AWG	10 A/14 AWG	6 A/14 AWG	---	14 AWG		
63-23-215-8*	25 A/10 AWG	15 A/14 AWG	15 A/14 AWG	10 A/14 AWG	---	12 AWG	14 AWG	
63-23-220-8*	30 A/10 AWG	20 A/12 AWG	15 A/14 AWG	10 A/14 AWG	---	10 AWG	14 AWG	
63-23-230-8*	45 A/8 AWG	25 A/10 AWG	25 A/10 AWG	15 A/14 AWG	---	8 AWG	12 AWG	
63-23-250-8*	80 A/4 AWG	40 A/8 AWG	40 A/8 AWG	20 A/12 AWG	---	8 AWG**	10 AWG	

*Canadian option: For cULus units, replace “- 8” suffix (UL only model) with “- C8” (cULus model).

**Leads in the wiring compartment must have 105°C sleeving.

For Catalog Numbers 63-31-150-8, 63-32-210-8, 63-32-220-8, & 63-32-230-8

60 Hz

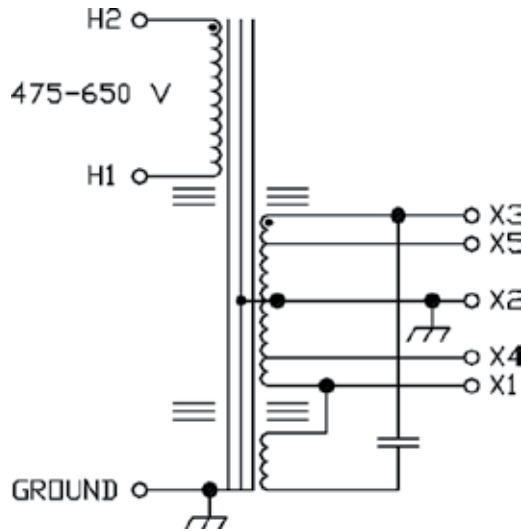


FIGURE 7

Catalog Number	Primary Voltage	Connect Lines to
63-31-150-8 63-32-210-8 63-32-220-8 63-32-230-8	600	H1 and H2
	Secondary Voltage	Connect Lines to
	120	X1 and X2 OR X3 and X2
	208	X4 and X5
	240	X1 and X3

Catalog Number	VA	BTU Output at Full load, +40°C Ambient
63-31-150-8	500	280
63-32-210-8	1000	519
63-32-220-8	2000	1229
63-32-230-8	3000	1331

Catalog Number	Required Circuit Protection/Minimum Gauge for 90°C Wire					Minimum Gauge for 90°C Wire		
	Input Voltage					Output Voltage		
	95-130	175-235	190-260	380-520	475-650	120	208	240
63-31-150-8	---	---	---	---	2 A/14 AWG	14 AWG		
63-32-210-8	---	---	---	---	3 A/14 AWG	14 AWG		
63-32-220-8	---	---	---	---	10 A/14 AWG	10 AWG	14 AWG	
63-32-230-8	---	---	---	---	15 A/12 AWG	8 AWG	12 AWG	

For Catalog Numbers 63-28-275-8, 63-28-310-8, & 63-28-315-8

60 Hz

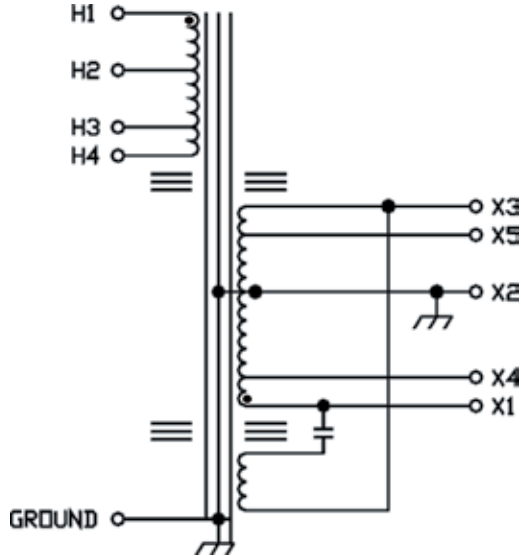


FIGURE 8

Catalog Number	Primary Voltage	Connect Lines to
63-28-275-8 63-28-310-8 63-28-315-8	208	H2 and H3
	240	H2 and H4
	480	H1 and H4
	Secondary Voltage	Connect Lines to
	120	X1 and X2 OR X3 and X2
	208	X4 and X5
240	X1 and X3	

Catalog Number	VA	BTU Output at Full load, +40°C Ambient
63-28-275-8	7500	2407
63-28-310-8	10000	3209
63-28-315-8	15000	4813

Catalog Number	Required Circuit Protection/Minimum Gauge for 90°C Wire					Minimum Gauge for 90°C Wire		
	Input Voltage					Output Voltage		
	95–130	175–235	190–260	380–520	475–650	120	208	240
63-28-275-8	---	60 A/6 AWG	60 A/8 AWG	30 A/10 AWG	---	4 AWG	8 AWG	8 AWG
63-28-310-8	---	80 A/3 AWG	80 A/4 AWG	40 A/8 AWG	---	3 AWG	6 AWG	8 AWG
63-28-315-8	---	125 A/1 AWG	110 A/2 AWG	60 A/4 AWG	---	0 AWG	4 AWG	4 AWG

For Catalog Numbers 63-29-250-8, 63-29-275-8, 63-29-310-8, & 63-29-315-8

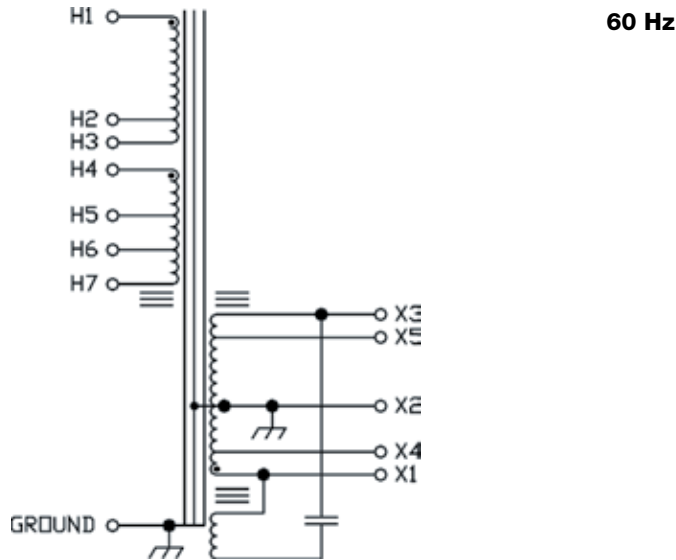


FIGURE 9

Catalog Number	Primary Voltage	Interconnect	Connect Lines to
63-29-250-8 63-29-275-8 63-29-310-8 63-29-315-8	208	H1 to H4 H2 to H5	H1 and H5
	240	H1 to H4 H3 to H6	H1 and H6
	480	H3 to H4	H1 and H6
	600	H3 to H4	H1 and H7
	Secondary Voltage	Interconnect	Connect Lines to
	120	---	X1 and X2 OR X3 and X2
	208	---	X4 and X5
240	---	X1 and X3	

Catalog Number	VA	BTU Output at Full load, +40°C Ambient
63-29-250-8	5000	2117
63-29-275-8	7500	2407
63-29-310-8	10000	3209
63-29-315-8	15000	4813

Catalog Number	Required Circuit Protection/Minimum Gauge for 90°C Wire					Minimum Gauge for 90°C Wire		
	Input Voltage					Output Voltage		
	95–130	175–235	190–260	380–520	475–650	120	208	240
63-29-250-8	---	40 A/8 AWG	40 A/8 AWG	20 A/12 AWG	15 A/12 AWG	8 AWG**	10 AWG	
63-29-275-8	---	60 A/6 AWG	60 A/6 AWG	30 A/10 AWG	25 A/10 AWG	4 AWG	4 AWG	4 AWG
63-29-310-8	---	80 A/3 AWG	80 A/4 AWG	40 A/8 AWG	30 A/10 AWG	3 AWG	6 AWG	8 AWG
63-29-315-8	---	125 A/1 AWG	110 A/2 AWG	60 A/4 AWG	50 A/8 AWG	0 AWG	4 AWG	4 AWG

**Leads in the wiring compartment must have 105°C sleeving.

For Catalog Numbers 63-23-612-8, 63-23-625-8, 63-23-650-8, 63-23-710-8, 63-23-720-8, 63-23-730-8, 63-23-750-8, 63-28-775-8, 63-28-810-8, 63-28-815-8

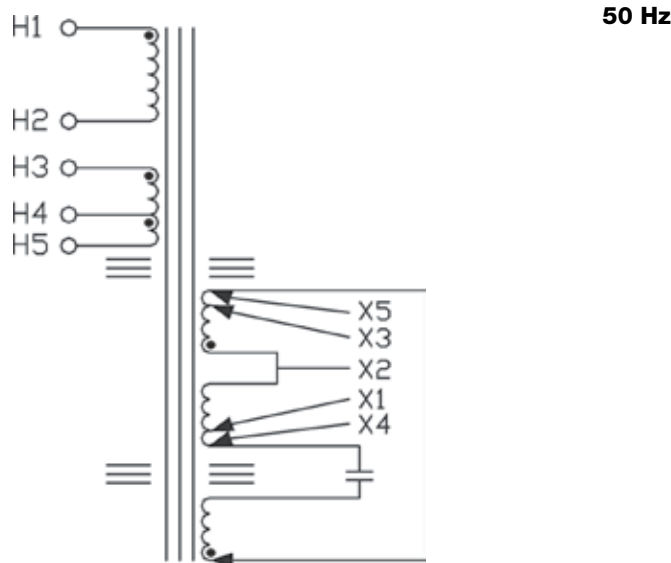


FIGURE 10

Unit	Input Volts	Input Terminals	Jumper Connection	Output Connection
250 to 5000 VA	90-130	H1-H4	(H1-H3) (H2-H4)	(All Models) 110-X1-X2 OR X2-X3 120 X4-X2 OR X2-X5 220-X1-X3 240 X4-X5
	182-260	H1-H4	(H2-H3)	
	310-450	H1-H5	(H2-H3)	
7500 VA	180-260	H1-H5	(H1-H3) (H2-H5)	
	310-450	H1-H4	(H2-H3)	
10000-15000 VA	180-260	H1-H4	(H2-H3)	
	310-450	H1-H5	(H2-H3)	

Catalog Number	VA	BTU Output at Full load, +40°C Ambient
63-23-612-8	120	85
63-23-625-8	250	160
63-23-650-8	500	300
63-23-710-8	1000	525
63-23-720-8	2000	825
63-23-730-8	3000	1263
63-23-750-8	5000	2105
63-28-775-8	7500	4105
63-28-810-8	10000	4210
63-28-815-8	15000	4815

Catalog Number	Required Circuit Protection/Minimum Gauge for 90°C Wire			Minimum Gauge for 90°C Wire	
	Input Voltage			Output Voltage	
	110-120	220-240	380-415	110-120	220-240
63-23-612-8	3 A/1,0 mm ²	1,5 A/1,0 mm ²	0,8 A/1,0 mm ²	1,0 mm	1,0 mm
63-23-625-8	6 A/1,0 mm ²	3 A/1,0 mm ²	1 A/1,0 mm ²	1,0 mm	1,0 mm
63-23-650-8	10 A/1,5 mm ²	6 A/1,0 mm ²	3 A/1,0 mm ²	1,0 mm	1,0 mm
63-23-710-8	15 A/2,5 mm ²	10 A/1,5 mm ²	6 A/1,0 mm ²	1,5 mm	1,0 mm
63-23-720-8	30 A/6,0 mm ²	15 A/2,5 mm ²	10 A/1,5 mm ²	4,0 mm	1,5 mm
63-23-730-8	45 A/16,0 mm ²	25 A/4,0 mm ²	15 A/2,5 mm ²	6,0 mm	2,5 mm
63-23-750-8	80 A/25,0 mm ²	40 A/10,0 mm ²	20 A/4,0 mm ²	16,0 mm	4,0 mm
63-28-775-8	---	60 A/16,0 mm ²	30 A/6,0 mm ²	25,0 mm	10,0 mm
63-28-810-8	---	80 A/25,0 mm ²	40 A/10,0 mm ²	35,0 mm	16,0 mm
63-28-815-8	---	110 A/50,0 mm ²	60 A/16,0 mm ²	45,0 mm	25,0 mm

5.0 Parallel & Three-Phase Connections

5.1 Parallel Operation

Units of the same SolaHD catalog number may be connected in parallel to obtain a larger load capacity. Both input and output connections must be made in parallel (see Figure 11). The SolaHD catalog number must end in -8 or -C8 and must be larger than 1 kVA. No portable units can be paralleled.

All input and output paralleling wires must be tied together in an external paralleling “box” provided by the user. Do not attempt to jumper the wires of one unit to the terminal block of the other unit. The terminal block may not be rated to carry the total currents of both units. The input of each unit must be properly and separately fused.

⚠ CAUTION! Failure to adhere to these requirements may damage the windings.

For units smaller than 5 kVA: When connecting in parallel the 208 Volt windings, other output voltage ratings (120 V, 240 V) can't be paralleled at the same time and vice versa. It is suggested that the installer remove X2 grounding on each unit, then connect X2 from each unit to one location and ground at that location only.

5.2 Three-Phase Connection Operation

Loads requiring 4-wire WYE connection may be served by three ferroresonant power conditioners with the same SolaHD catalog number. The inputs must be connected in Delta. Input fuses must be connected in the primary of each unit, not in the three-phase lines. The outputs must be connected in WYE with the neutral solidly connected to a WYE load. Alternatively, these three outputs may serve three independent single-phase loads. Phase angles may vary somewhat from 120 degrees even with balanced loading.

This circuit arrangement is not intended to serve single-phase line-to-line loading or three-phase Delta loading. Outputs must serve three independent, single-phase loads of the same total Volt-Amphere (VA) rating. Connections should be made in one of two ways as shown in Figure 11.

The outputs of the unit are isolated from the input lines. Voltage generated by internal leakage currents will occur with respect to ground, which can have undesirable effects in electronic equipment. Therefore, if circuit “B” is used, it is suggested that the installer remove X2 grounding on -8 units, then connect all X2 from each phase to one location and ground at that location only. This is not required for circuit “A” and will not affect regulation or the ability to reject power line noise or transients.

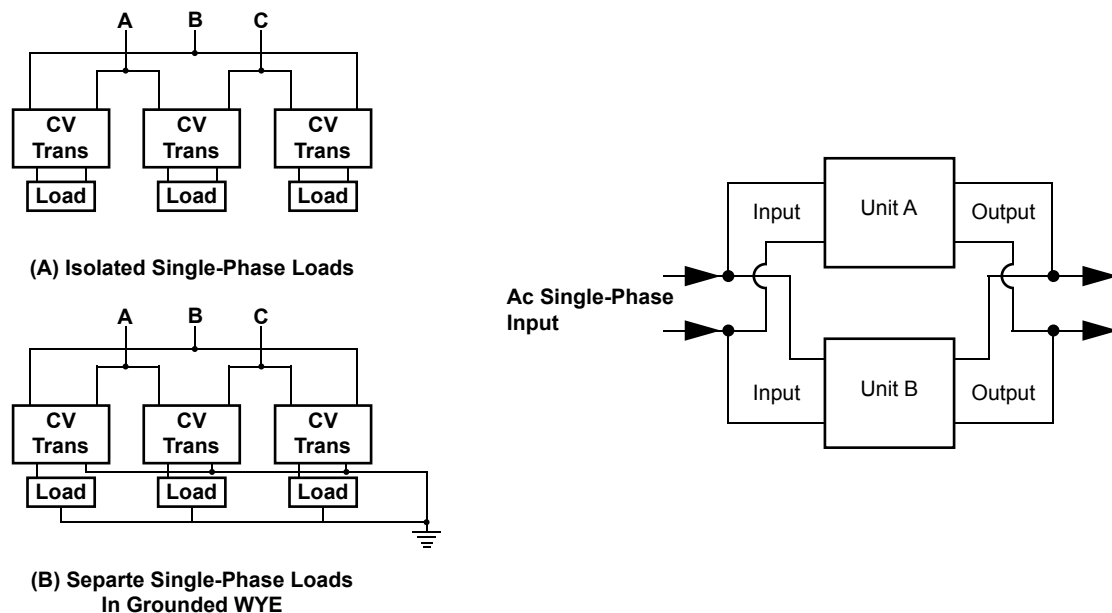


FIGURE 11

6.0 Operating Notes & Data

⚠ DANGER! High voltages are present inside the unit. Do not reach inside while it is energized. To measure voltage, de-energize the unit, connect the meter, and then re-energize the unit.

6.1 Checking with Voltmeters

All input and output voltage measurements should be made with a true RMS voltmeter. A certain amount of harmonics in the output may cause other types—particularly rectifier types—to give inaccurate indications.

6.2 Load Regulation

Changes in output voltage resulting from changes in resistive loads, from no load to full load (100% pF), are approximately 4%.

6.3 Effect of Load Power Factor

“Median” value of output voltage will vary from the label rating if the load has a power factor different from the unit’s design. Load regulation will also be greater as the inductive load power factor is decreased. However, the resulting median values of output voltage will be regulated against supply line changes at any reasonable load or load power factor.

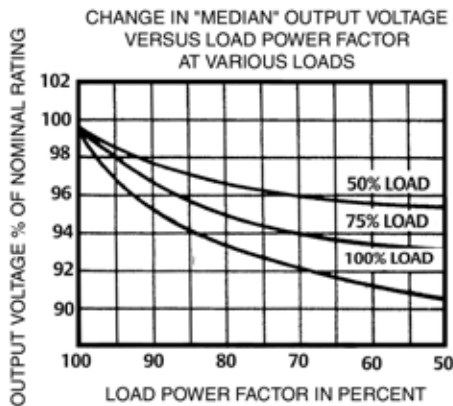


FIGURE 12

6.4 Operation with Switch-Mode Power Supplies

If an MCR is used as a source for a switch-mode power supply, a slight amount of ringing may be noticed on the sine wave output of the unit at half cycle intervals for a short duration. This ringing occurs at the point when the switch-mode power supply current demand drops to zero. The ringing need not be a cause for concern since it is of relatively low magnitude and frequency. Both series have been tested with a variety of switch-mode power supplies and it has been determined that the ringing does not affect the dc outputs, nor has it been found to degrade the components of any switch-mode power supply.

6.5 Effect of Frequency

Changes in the frequency of the supply voltage will be directly reflected in the output voltage. A change of about 1.8% in output voltage will occur for every 1% change in input frequency, and in the same direction as the frequency change.

6.6 Response Time

An important advantage of the SolaHD principle of static magnetic regulation is its exceedingly fast response time compared with other types of ac regulators. Transient changes in supply voltage are usually corrected with 1-1/2 cycles or less; the output voltage will not fluctuate more than a few percent.

6.7 Input Characteristics

The MCR’s transformer includes a resonant circuit, which is energized whether it is serving a load or not. Therefore, the input current at no load is approximately 35% of the full-load level, even at light or no load. Input power factor will average 90–100% at full load, but may drop to about 75% at half load and 25% at no load. In any case, it is always leading.

6.8 Current Limitations

When the load is increased beyond the MCR's rated value, a point is reached where the output voltage suddenly collapses and will not regain its normal value until the load is partially released. Under short-circuit conditions, the load current is limited to approximately twice of the rated full-load value, and the input power to less than 10% of normal. The unit will protect both itself and its load against damage from excessive fault currents. Fusing of load circuits is not necessary.

6.9 Operation with Motor Loads

Because of the current-limiting effect described above, special attention should be given to motor applications. In general, the regulator must have a load rating nearly equal to the maximum power drawn during the starting cycle. This may run from two to eight times the normal (running) rating of the motor. In doubtful cases, it is advisable to measure the actual starting current.

7.0 Service & Maintenance

7.1 Service & Maintenance

The unit is a simple, rugged device with no moving parts. Routine service and/or maintenance is not required. If a problem does occur, please refer to "8.0 Troubleshooting" or contact SolaHD Technical Support for assistance.

7.2 Field Replacement of Capacitors

Capacitors used in our units are the highest commercial grade, with each one given a rigid acceptance test upon receipt. SolaHD guarantees free replacement of any capacitors which fail within one year of sale. Older units can be replaced at a moderate charge.

NOTE: It may be possible to test and identify defective capacitors in the field. Please contact SolaHD Technical Support at 1.800.377.4384 or 1.847.268.6651 for further assistance.

8.0 Troubleshooting

Table 24: Troubleshooting	
Problem	Action
Nominal voltage too high	<ol style="list-style-type: none"> 1. The load may be considerably less than the full rating. See "6.2 Load Regulation". 2. The load may have a leading power factor.
Nominal voltage too low	<ol style="list-style-type: none"> 1. The load power factor may be lagging. 2. The unit may be slightly overloaded. See "6.8 Current Limitations".
Unit does not regulate closely	<ol style="list-style-type: none"> 1. The unit may be slightly overloaded. See "6.8 Current Limitations". 2. The actual line voltage swings may be outside the rate range of the unit, particularly on the low side. 3. On varying loads, a certain amount of load regulation may be mixed with the line voltage regulating action. See "6.2 Load Regulation".
Output voltage is very low (20–60 V)	<ol style="list-style-type: none"> 1. Unsuspected or unplanned overloads of substantial size may occur intermittently (motor-starting currents, solenoid inrush currents, etc.). See "6.8 Current Limitations". 2. One or more capacitors in the regulator may be defective.
No output voltage	<ol style="list-style-type: none"> 1. Check power source breakers or fuses. 2. Check input switch. 3. Check continuity between input terminals, and also between output terminals.
Transformer operating temperature	<p>1. The transformer used in the unit is designed to operate at high flux density and relatively high temperatures. After connection to the line for 30 minutes or so, the transformer core structure may be too hot to touch with your bare hands. This is normal and should not cause concern.</p>
Unit is operating, but does not appear to have the correct output	<p>The steps below will usually establish whether the apparent poor performance is due to a fault in the unit or to some peculiarity of the working load.</p> <ol style="list-style-type: none"> 1. Disconnect the working load. 2. Connect a dummy load of lamps, heaters, or other resistive loads (substantially equal to the full load rating of the regulator) directly across the output terminals. 3. Measure the output voltage of the regulator (using a true RMS type voltmeter) directly across the output terminals.
Support	
Please contact SolaHD Technical Support at 1.800.377.4384/1.847.268.6651 or by e-mail at solahd.technicalservices@emerson.com for further assistance.	

9.0 Specifications

Table 25: General Specifications		
Phase	Single	
Frequency	60 Hz	50 Hz
Output Voltage Regulation	±3% for an input line variation of +10% to -20%	±5% for an input line variation of +10% to -20%
Output Harmonic Distortion	Less than 3% total RMS content at full load	
Efficiency	Up to 92% at full load (typical) – model dependent	
Noise Reduction	Common mode noise rejection exceeds 120 dB; Transverse noise rejection exceeds 60 dB	
Voltage Surge Suppression	Meets ANSI/IEEE C62.41 Category A & B waveforms (formerly IEEE 587-1980)	
Ambient Temperature	Operating: -20°C to +50°C; Storage: -20°C to +85°C	
Humidity	<95% non-condensing	
Directives	RoHS compliant	
Certifications UL 1012, CSA C22.2 No. 107.1	Model	Certification
	63-23-112-4	cULus
	63-23-612-8	cULus
	63-23-125-4	cULus
	63-23-625-8	cULus
	63-23-150-8	cULus
	63-23-650-8	cULus
	63-23-175-8	cULus
	63-23-210-8	UL
	63-23-210-C8	cULus
	63-23-710-8	cULus
	63-23-215-8	UL
	63-23-215-C8	cULus
	63-23-220-8	UL
	63-23-220-C8	cULus
	63-23-720-8	cULus
	63-23-230-8	UL
	63-23-230-C8	cULus
	63-23-730-8	cULus
	63-23-250-8	UL
	63-23-250-C8	cULus
	63-23-750-8	cULus
	63-28-775-8	cULus
	63-28-810-8	cULus
	63-28-815-8	cULus
	63-28-275-8	UL
	63-28-310-8	UL
63-28-315-8	UL	
63-29-250-8	CSA	
63-29-275-8	CSA	
63-29-310-8	CSA	
63-29-315-8	CSA	
63-31-150-8	cULus	
63-32-210-8	cULus	
63-32-220-8	cULus	
63-32-230-8	cULus	
Warranty	10 year limited warranty	

10.0 Warranty & Support

10.1 Warranty Information

Please refer to the “Terms & Conditions of Sale”.

10.2 Technical Support

Phone: 1.800.377.4384 or 1.847.268.6651

E-mail: solahd.technicalservices@emerson.com

Web site: www.solahd.com

1.800. 377.4384 (US) • 1.847.268.6651 (International) • www.solahd.com



Série MCR câblée – 50 Hz et 60 Hz

Manuel d'utilisation



Sommaire

1.0 Consignes de sécurité importantes.....	3
2.0 Définitions des avertissements.....	3
3.0 Introduction	3
4.0 Instructions d'installation.....	3
4.1 Réception	3
4.2 Montage et ventilation.....	3
4.3 Dimensions et caractéristiques physiques.....	4
4.4 Branchements électriques.....	6
5.0 Branchements en parallèle et branchements triphasés.....	12
5.1 Fonctionnement en parallèle.....	12
5.2 Fonctionnement en branchement triphasé	12
6.0 Remarques et informations sur le fonctionnement.....	13
6.1 Vérifications à l'aide de voltmètres.....	13
6.2 Régulation de la charge.....	13
6.3 Effets du facteur de puissance de charge.....	13
6.4 Utilisation avec des alimentations à découpage.....	13
6.5 Effets de la fréquence.....	13
6.6 Temps de réponse.....	13
6.7 Caractéristiques de l'entrée	13
6.8 Limitations du courant.....	14
6.9 Utilisation avec des charges de moteur.....	14
7.0 Dépannage et entretien.....	14
7.1 Dépannage et entretien	14
7.2 Remplacement des condensateurs sur place.....	14
8.0 Dépannage	14
9.0 Spécifications	15
10.0 Garantie et assistance	15
10.1 Informations relatives à la garantie.....	15
10.2 Assistance technique	15

1.0 Consignes de sécurité importantes

Lire l'intégralité des instructions relatives à la sécurité, l'installation et le fonctionnement avant d'essayer d'installer ou d'utiliser l'appareil.

⚠ DANGER ! Des tensions élevées sont présentes dans l'appareil. Ne pas toucher l'intérieur lorsqu'il est sous tension. Cet appareil contient des pièces ne pouvant pas être réparées par l'utilisateur.

2.0 Définitions des avertissements

⚠ DANGER ! Signale une situation de danger imminent qui entraînera des blessures graves, voire mortelles, si elle n'est pas évitée. L'emploi de ce terme est limité aux situations les plus extrêmes.

⚠ MISE EN GARDE ! Indique une situation potentiellement dangereuse susceptible d'entraîner des blessures graves, voire mortelles, si elle n'est pas évitée.

⚠ ATTENTION ! Signale une situation de danger potentiel susceptible d'entraîner des blessures légères ou modérées si elle n'est pas évitée. Ce terme peut aussi servir à mettre en garde contre des pratiques dangereuses.

3.0 Introduction

Le régulateur pour micro/mini ordinateur (MCR) de SolaHD assure la régulation de la tension et isole les bruits de mode transversal et commun pour n'importe quel type de charge. Il élimine également les transitoires des appareils ferromagnétiques, protège contre les surcharges et sert de ligne dédiée. Il constitue le parfait équipement en matière de conditionnement d'alimentation en courant alternatif.

4.0 Instructions d'installation

4.1 Réception

Lors de la réception de l'unité, l'inspecter immédiatement pour identifier tout signe de dommages pendant le transport ou de manutention inadéquate. Si l'appareil est endommagé, prendre une photo de la partie endommagée, en informer le transporteur et contacter un représentant SolaHD local.

4.2 Montage et ventilation

Ces appareils sont destinés à être utilisés dans un environnement intérieur où l'humidité et la température sont contrôlées. Monter l'appareil en position horizontale ou verticale. Il doit être installé à un emplacement ne présentant aucun risque de contact avec la surface chaude du transformateur. En cas d'installation à la verticale (par ex., contre un mur), consulter le tableau 1 pour choisir les éléments de fixation en acier. Le compartiment de câblage doit être orienté vers le haut.

Tableau 1: Éléments de fixation

VA (MCR)	Vis à tête fendue en acier inoxydable (diamètre minimal)
120 VA	Vis mécaniques n° 10
250 VA	Boulons 1/4 in.
500–1000 VA	Boulons 5/16 in.
1500–10000 VA	Boulons 3/8 in.
15000 VA	Boulons 1/2 in.

Tous les régulateurs produisent une grande quantité de chaleur, et leur refroidissement s'effectue par convection naturelle. Il est important de ne pas obstruer les prises d'air de ventilation. Éviter de monter l'appareil dans un espace restreint ou mal aéré, sauf si des dispositions spéciales ont été prises pour la ventilation. Pour obtenir une ventilation adéquate, prévoir un dégagement d'au moins 12 pouces au-dessus de l'appareil et de 6 pouces sur chaque côté.

4,3 Dimensions et caractéristiques physiques

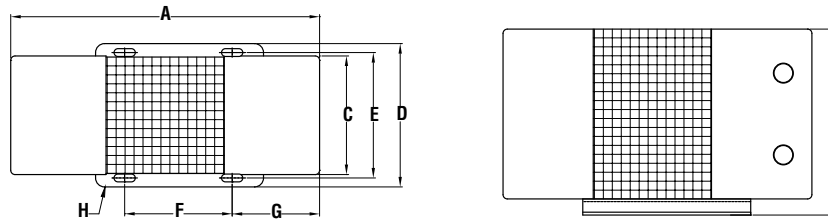


FIGURE 1

Tableau 2 : Dimensions - Figure 1

Hz	Référence catalogue	Dimensions en in [mm,]								Poids à l'expédition lb [kg]
		A	B	C	D	E	F	G	H	
60	63-23-112-4	8,62 [219]	5,19 [132]	3,31 [84]	4,00 [102]	3,50 [89]	3,00 [76]	2,90 [74]	6 x 15 [0,22 x 0,59]	15 [6,80]
50	63-23-612-8	9,09 [231]	7,44 [189]	4,50 [114]	5,39 [137]	4,76 [121]	4,13 [105]	2,17 [55]	8 x 18 [0,31 x 0,69]	18 [8,08]
60	63-23-125-4	9,88 [251]	7,44 [189]	4,50 [114]	5,62 [143]	4,76 [121]	4,13 [105]	3,06 [78]	8 x 18 [0,31 x 0,69]	27 [12,25]
50	63-23-625-8	10,59 [269]	7,44 [189]	4,50 [114]	5,39 [137]	4,76 [121]	4,13 [105]	2,17 [55]	8 x 18 [0,31 x 0,69]	27 [12,24]
60	63-23-150-8	12,69 [322]	6,44 [164]	7,78 [198]	9,00 [229]	8,12 [206]	5,62 [143]	3,06 [78]	10 x 21 [0,38 x 0,81]	37 [16,78]
60	63-31-150-8	12,69 [322]	6,44 [164]	7,78 [198]	9,00 [229]	8,12 [206]	5,62 [143]	3,06 [78]	10 x 21 [0,38 x 0,81]	38 [17,24]
50	63-23-650-8	13,27 [337]	6,38 [162]	7,76 [197]	9,00 [229]	8,12 [206]	5,62 [143]	3,58 [91]	10 x 21 [0,38 x 0,81]	40 [18,14]
60	63-23-175-8	13,69 [348]	6,44 [164]	7,78 [198]	9,00 [229]	8,12 [206]	5,62 [143]	3,06 [78]	10 x 21 [0,38 x 0,81]	52 [23,59]
60	63-23-210-8	16,75 [425]	6,44 [164]	7,78 [198]	9,00 [229]	8,12 [206]	5,62 [143]	5,25 [133]	10 x 21 [0,38 x 0,81]	62 [28,12]
60	63-23-210-C8	16,75 [425]	7,44 [189]	7,78 [198]	9,00 [229]	8,12 [206]	5,62 [143]	5,25 [133]	10 x 21 [0,38 x 0,81]	62 [28,12]
60	63-32-210-8	16,75 [425]	6,44 [164]	7,78 [198]	9,00 [229]	8,12 [206]	5,62 [143]	5,25 [133]	10 x 21 [0,38 x 0,81]	62 [28,12]
50	63-23-710-8	17,95 [456]	6,38 [162]	7,76 [197]	9,00 [229]	8,12 [206]	5,62 [143]	5,83 [148]	10 x 21 [0,38 x 0,81]	62 [28,12]

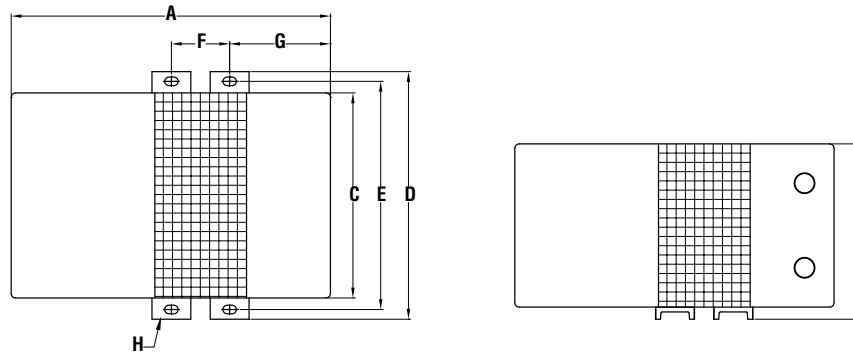


FIGURE 2

Tableau 3 : Dimensions - Figure 2

Hz	Référence catalogue	Dimensions en in [mm,]								Poids à l'expédition lb [kg]
		A	B	C	D	E	F	G	H	
60	63-23-215-8	16,44 [418]	9,03 [229]	10,56 [268]	12,75 [324]	11,75 [298]	3,00 [76]	5,19 [132]	11 x 18 [0,44 x 0,69]	95 [43,10]
60	63-23-215-C8	16,44 [418]	9,03 [229]	10,56 [268]	12,75 [324]	11,75 [298]	3,00 [76]	5,19 [132]	11 x 18 [0,44 x 0,69]	95 [43,10]
60	63-23-220-8	17,31 [440]	9,03 [229]	10,56 [268]	12,75 [324]	11,75 [298]	3,88 [99]	5,19 [132]	11 x 18 [0,44 x 0,69]	109 [49,44]
60	63-23-220-C8	17,31 [440]	9,03 [229]	10,56 [268]	12,75 [324]	11,75 [298]	3,88 [99]	5,19 [132]	11 x 18 [0,44 x 0,69]	109 [49,44]
60	63-32-220-8	17,31 [440]	9,03 [229]	10,56 [268]	12,75 [324]	11,75 [298]	3,88 [99]	5,19 [132]	11 x 18 [0,44 x 0,69]	109 [49,44]
50	63-23-720-8	17,60 [447]	9,33 [237]	10,56 [268]	12,75 [324]	11,75 [298]	4,21 [107]	5,00 [127]	11 x 18 [0,44 x 0,69]	112 [50,81]
60	63-23-230-8	18,69 [475]	9,03 [229]	10,56 [268]	12,75 [324]	11,75 [298]	5,25 [133]	5,19 [132]	11 x 18 [0,44 x 0,69]	142 [64,41]
60	63-23-230-C8	18,69 [475]	9,03 [229]	10,56 [268]	12,75 [324]	11,75 [298]	5,25 [133]	5,19 [132]	11 x 18 [0,44 x 0,69]	142 [64,41]
60	63-32-230-8	18,69 [475]	9,03 [229]	10,56 [268]	12,75 [324]	11,75 [298]	5,25 [133]	5,19 [132]	11 x 18 [0,44 x 0,69]	142 [64,41]
50	63-23-730-8	26,65 [677]	9,37 [238]	10,59 [269]	12,75 [324]	11,75 [298]	6,06 [154]	3,70 [94]	11 x 18 [0,44 x 0,69]	160 [72,59]
60	63-23-250-8	28,19 [716]	9,03 [229]	10,56 [268]	12,75 [324]	11,75 [298]	8,25 [210]	8,88 [226]	11 x 18 [0,44 x 0,69]	222 [100,70]
60	63-23-250-C8	28,19 [716]	9,03 [229]	10,56 [268]	12,75 [324]	11,75 [298]	8,25 [210]	8,88 [226]	11 x 18 [0,44 x 0,69]	222 [100,70]
60	63-29-250-8	28,19 [716]	9,03 [229]	10,56 [268]	12,75 [324]	11,75 [298]	8,25 [210]	8,88 [226]	11 x 18 [0,44 x 0,69]	222 [100,70]
50	63-23-750-8	30,00 [762]	9,37 [238]	10,59 [269]	12,76 [324]	11,75 [298]	9,37 [238]	3,70 [94]	11 x 18 [0,44 x 0,69]	242 [109,79]

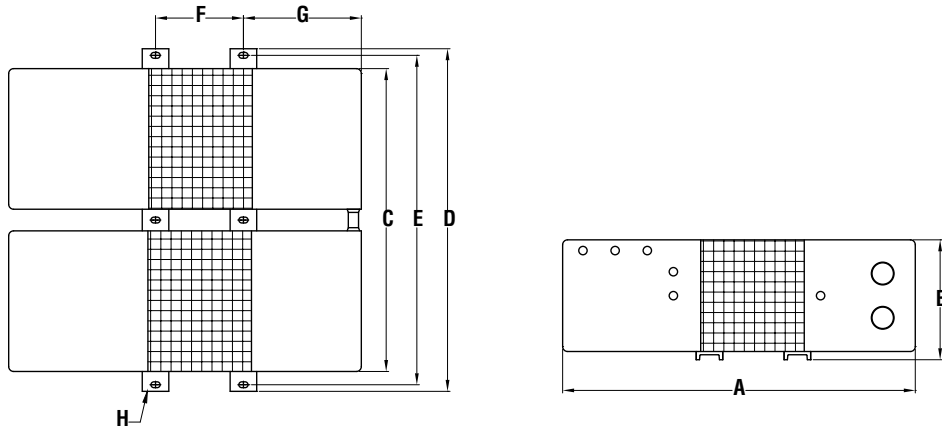


FIGURE 3

Tableau 4 : Dimensions - Figure 3										
Hz	Référence catalogue	Dimensions en in [mm,]								Poids à l'expédition lb [kg]
		A	B	C	D	E	F	G	H	
60	63-28-275-8	26,56 [675]	9,03 [229]	22,81 [579]	25,81 [656]	24,81 [630]	6,62 [168]	8,88 [226]	11 x 18 [0,44 x 0,69]	
60	63-29-275-8	26,56 [675]	9,03 [229]	22,81 [579]	25,81 [656]	24,81 [630]	6,62 [168]	8,88 [226]	11 x 18 [0,44 x 0,69]	
50	63-23-775-8	27,99 [711]	9,37 [238]	24,49 [622]	25,81 [656]	24,81 [630]	7,36 [187]	3,70 [94]	11 x 18 [0,44 x 0,69]	
60	63-28-310-8	28,19 [716]	9,03 [229]	22,81 [579]	25,81 [656]	24,81 [630]	8,25 [210]	8,88 [226]	11 x 18 [0,44 x 0,69]	
60	63-29-310-8	28,19 [716]	9,03 [229]	22,81 [579]	25,81 [656]	24,81 [630]	8,25 [210]	8,88 [226]	11 x 18 [0,44 x 0,69]	
50	63-23-810-8	30,00 [762]	9,37 [238]	24,49 [622]	25,81 [656]	24,81 [630]	9,37 [238]	3,70 [94]	11 x 18 [0,44 x 0,69]	

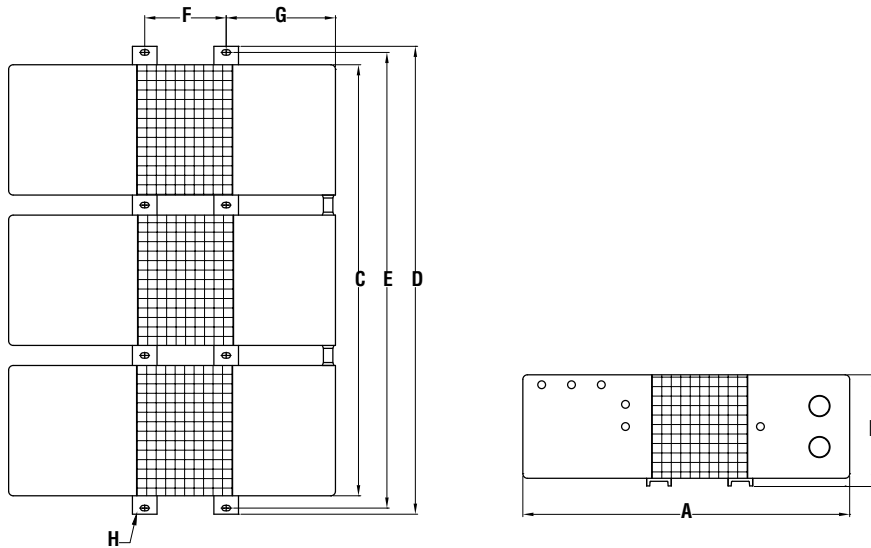


FIGURE 4

Tableau 5 : Dimensions - Figure 4										
Hz	Référence catalogue	Dimensions en mm [in.]								Poids à l'expédition lb [kg]
		A	B	C	D	E	F	G	H	
60	63-28-315-8	28,19 [716]	9,38 [238]	35,56 [903]	38,25 [972]	37,22 [945]	8,25 [210]	8,88 [226]	14 x 18 [0,56 x 0,69]	
60	63-29-315-8	28,19 [716]	9,38 [238]	35,56 [903]	38,25 [972]	37,22 [945]	8,25 [210]	8,88 [226]	14 x 18 [0,56 x 0,69]	
50	63-28-815-8	30,00 [762]	9,38 [238]	36,00 [914]	38,25 [972]	37,22 [945]	9,38 [238]	3,70 [94]	14 x 18 [0,56 x 0,69]	

4.4 Branchements électriques

Tous les appareils câblés doivent être installés conformément aux codes électriques nationaux et locaux.

Pour les références 63-23-112-4 et 63-23-125-4

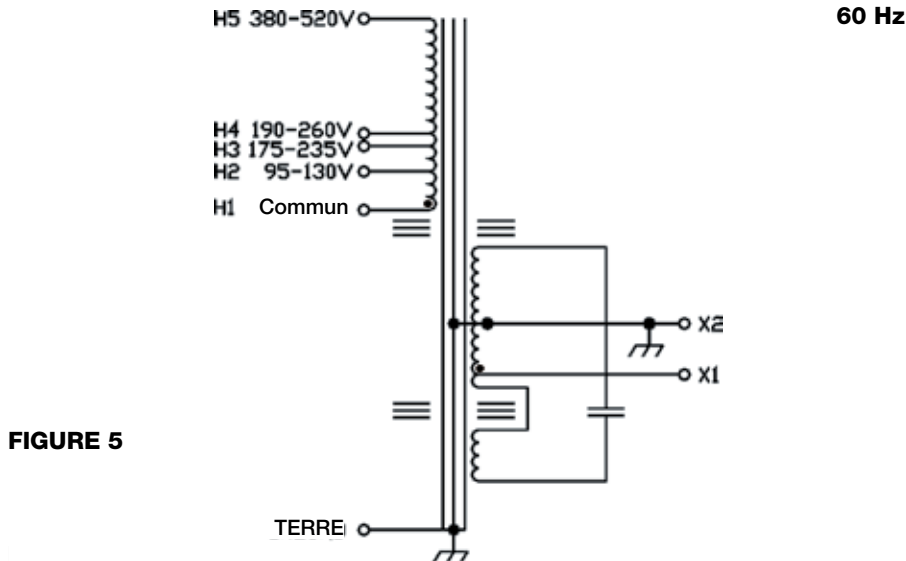


FIGURE 5

Référence catalogue	Tension primaire	Brancher les câbles à
63-23-112-4 63-23-125-4	120	H1 et H2
	208	H1 et H3
	240	H1 et H4
	480	H1 et H5
	Tension secondaire	Brancher les câbles à
	120	X1 et X2

Référence catalogue	VA	Sortie en BTU à charge maximale, temp. ambiante de +40 °C
63-23-112-4	120	136
63-23-125-4	250	225

Référence catalogue	Protection exigée du circuit/calibre minimal des câbles à 90 °C					Calibre minimal des câbles à 90 °C		
	Tension d'entrée					Tension de sortie		
	95-130	175-235	190-260	380-520	475-650	120	208	240
63-23-112-4	3 A/14 AWG	3 A/14 AWG	3 A/14 AWG	1 A/14 AWG	---	14 AWG	---	---
63-23-125-4	6 A/14 AWG	3 A/14 AWG	3 A/14 AWG	1 A/14 AWG	---	14 AWG	---	---

Pour les références 63-23-150-8, 63-23-175-8, 63-23-210-8*, 63-23-215-8*, 63-23-220-8*, 63-23-230-8* et 63-23-250-8*

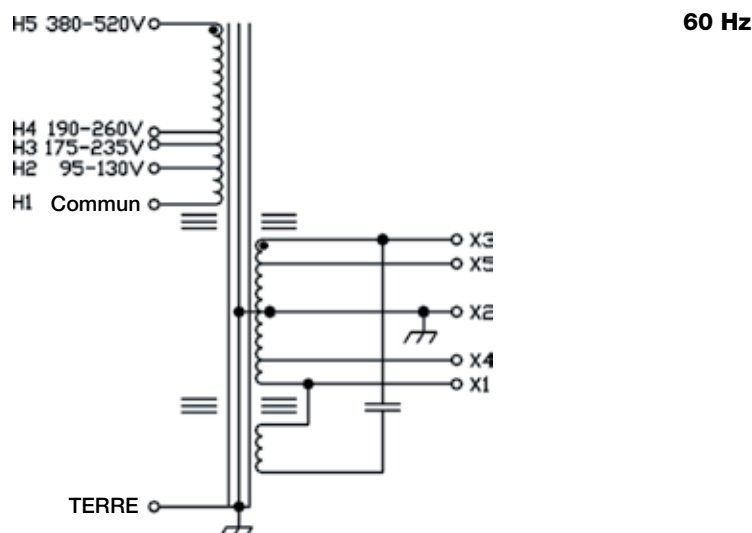


FIGURE 6

Référence catalogue	Tension primaire	Brancher les câbles à
63-23-150-8	120	H1 et H2
63-23-175-8	208	H1 et H3
63-23-210-8*	240	H1 et H4
63-23-215-8*	480	H1 et H5
63-23-220-8*		
63-23-230-8*	Tension secondaire	Brancher les câbles à
63-23-250-8*	120	X1 et X2

Référence catalogue	VA	Sortie en BTU à pleine charge, temp. ambiante de +40 °C
63-23-150-8	500	280
63-23-175-8	750	444
63-23-210-8*	1 000	519
63-23-215-8*	1 500	686
63-23-220-8*	2 000	1 229
63-23-230-8*	3 000	1 331
63-23-250-8*	5 000	2 117

Référence catalogue	Protection exigée du circuit/calibre minimal des câbles à 90 °C					Calibre minimal des câbles à 90 °C		
	Tension d'entrée					Tension de sortie		
	95-130	175-235	190-260	380-520	475-650	120	208	240
63-23-150-8	10 A/14 AWG	6 A/14 AWG	6 A/14 AWG	3 A/14 AWG	---	14 AWG		
63-23-175-8	15 A/14 AWG	10 A/14 AWG	6 A/14 AWG	3 A/14 AWG	---	14 AWG		
63-23-210-8*	15 A/14 AWG	10 A/14 AWG	10 A/14 AWG	6 A/14 AWG	---	14 AWG		
63-23-215-8*	25 A/10 AWG	15 A/14 AWG	15 A/14 AWG	10 A/14 AWG	---	12 AWG	14 AWG	
63-23-220-8*	30 A/10 AWG	20 A/12 AWG	15 A/14 AWG	10 A/14 AWG	---	10 AWG	14 AWG	
63-23-230-8*	45 A/8 AWG	25 A/10 AWG	25 A/10 AWG	15 A/14 AWG	---	8 AWG	12 AWG	
63-23-250-8*	80 A/4 AWG	40 A/8 AWG	40 A/8 AWG	20 A/12 AWG	---	8 AWG**	10 AWG	

*Option canadienne : Pour les appareils cULus, remplacer le suffixe « -8 » (modèle UL uniquement) par « -C8 » (modèle cULus).
 **Les câbles se trouvant dans le compartiment de câblage doivent être placés dans des gaines à 105 °C.

Pour les références 663-31-150-8, 63-32-210-8, 63-32-220-8 et 63-32-230-8

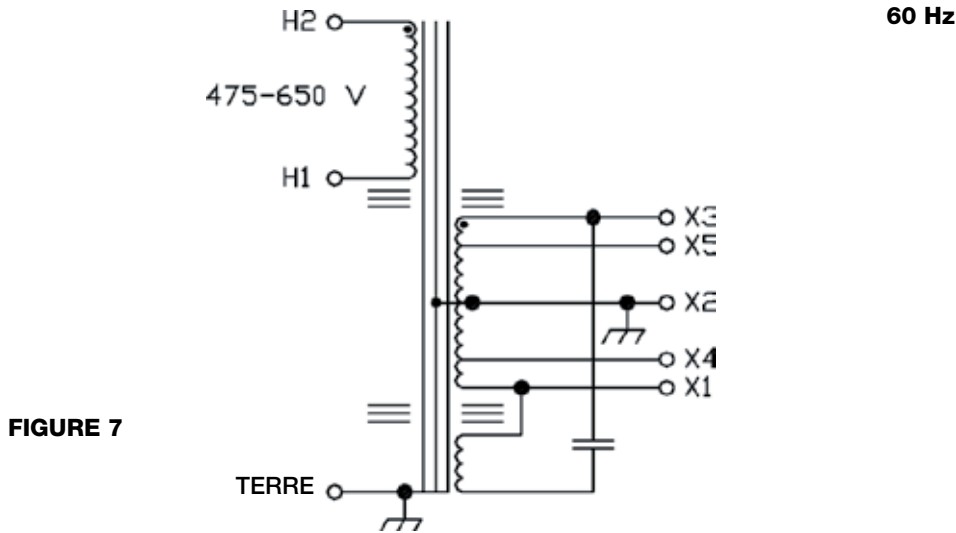


FIGURE 7

Référence catalogue	Tension primaire	Brancher les câbles à
63-31-150-8 63-32-210-8 63-32-220-8 63-32-230-8	600	H1 et H2
	Tension secondaire	Brancher les câbles à
	120	X1 et X2 OU X3 et X2
	208	X4 et X5
	240	X1 et X3

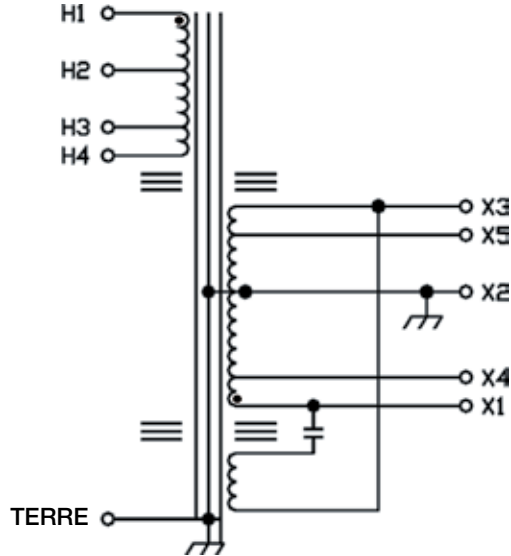
Référence catalogue	VA	Sortie en BTU à charge maximale, temp. ambiante de +40 °C
63-31-150-8	500	280
63-32-210-8	1 000	519
63-32-220-8	2 000	1 229
63-32-230-8	3 000	1 331

Référence catalogue	Protection exigée du circuit/calibre minimal des câbles à 90 °C					Calibre minimal des câbles à 90 °C		
	Tension d'entrée					Tension de sortie		
	95-130	175-235	190-260	380-520	475-650	120	208	240
63-31-150-8	---	---	---	---	2 A/14 AWG	14 AWG		
63-32-210-8	---	---	---	---	3 A/14 AWG	14 AWG		
63-32-220-8	---	---	---	---	10 A/14 AWG	10 AWG	14 AWG	
63-32-230-8	---	---	---	---	15 A/12 AWG	8 AWG	12 AWG	

Pour les références 63-28-275-8, 63-28-310-8 et 63-28-315-8

60 Hz

FIGURE 8



Référence catalogue	Tension primaire	Brancher les câbles à
63-28-275-8 63-28-310-8 63-28-315-8	208	H2 et H3
	240	H2 et H4
	480	H1 et H4
	Tension secondaire	Brancher les câbles à
	120	X1 et X2 OU X3 et X2
	208	X4 et X5
	240	X1 et X3

Référence catalogue	VA	Sortie en BTU à charge maximale, temp. ambiante de +40 °C
63-28-275-8	7 500	2 407
63-28-310-8	10 000	3 209
63-28-315-8	15 000	4 813

Référence catalogue	Protection exigée du circuit/calibre minimal des câbles à 90 °C					Calibre minimal des câbles à 90 °C		
	Tension d'entrée					Tension de sortie		
	95-130	175-235	190-260	380-520	475-650	120	208	240
63-28-275-8	---	60 A/6 AWG	60 A/8 AWG	30 A/10 AWG	---	4 AWG	8 AWG	8 AWG
63-28-310-8	---	80 A/3 AWG	80 A/4 AWG	40 A/8 AWG	---	3 AWG	6 AWG	8 AWG
63-28-315-8	---	125 A/1 AWG	110 A/2 AWG	60 A/4 AWG	---	0 AWG	4 AWG	4 AWG

Pour les références 63-29-250-8, 63-29-275-8, 63-29-310-8 et 63-29-315-8

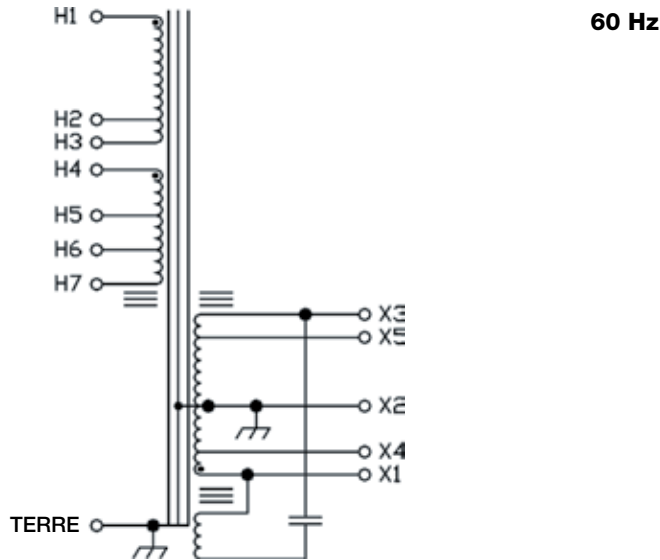


FIGURE 9

Référence catalogue	Tension primaire	Interconnexion	Brancher les câbles à
63-29-250-8 63-29-275-8 63-29-310-8 63-29-315-8	208	H1 vers H4 H2 vers H5	H1 et H5
	240	H1 vers H4 H3 vers H6	H1 et H6
	480	H3 vers H4	H1 et H6
	600	H3 vers H4	H1 et H7
	Tension secondaire	Interconnexion	Brancher les câbles à
	120	---	X1 et X2 OU X3 et X2
	208	---	X4 et X5
240	---	X1 et X3	

Référence catalogue	VA	Sortie en BTU à charge maximale, temp. ambiante de +40 °C
63-29-250-8	5 000	2 117
63-29-275-8	7 500	2 407
63-29-310-8	10 000	3 209
63-29-315-8	15 000	4 813

Référence catalogue	Protection exigée du circuit/calibre minimal des câbles à 90 °C					Calibre minimal des câbles à 90 °C		
	Tension d'entrée					Tension de sortie		
	95-130	175-235	190-260	380-520	475-650	120	208	240
63-29-250-8	---	40 A/8 AWG	40 A/8 AWG	20 A/12 AWG	15 A/12 AWG	8 AWG**	10 AWG	
63-29-275-8	---	60 A/6 AWG	60 A/6 AWG	30 A/10 AWG	25 A/10 AWG	4 AWG	4 AWG	4 AWG
63-29-310-8	---	80 A/3 AWG	80 A/4 AWG	40 A/8 AWG	30 A/10 AWG	3 AWG	6 AWG	8 AWG
63-29-315-8	---	125 A/1 AWG	110 A/2 AWG	60 A/4 AWG	50 A/8 AWG	0 AWG	4 AWG	4 AWG

**Les câbles se trouvant dans le compartiment de câblage doivent être placés dans des gaines à 105 °C.

Pour les références 63-23-612-8, 63-23-625-8, 63-23-650-8, 63-23-710-8, 63-23-720-8, 63-23-730-8, 63-23-750-8, 63-28-775-8, 63-28-810-8, 63-28-815-8

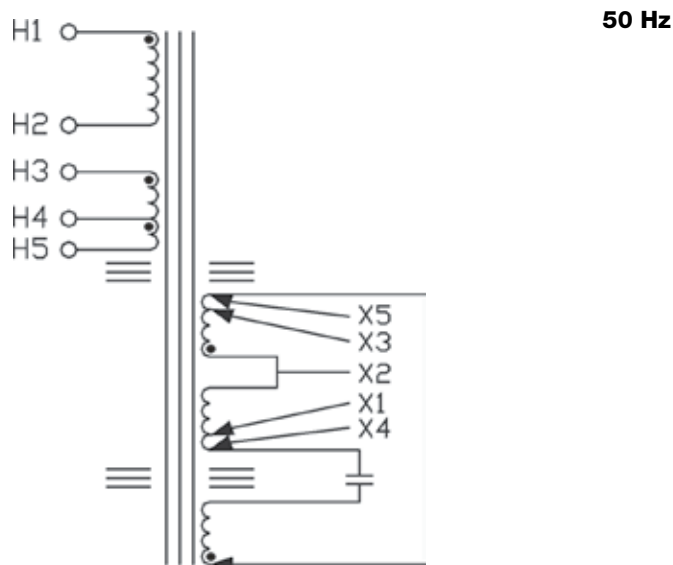


FIGURE 10

Appareil	Tension d'entrée	Bornes d'entrée	Raccordement des cavaliers	Raccordement de sortie
250 à 5 000 VA	90-130	H1-H4	(H1-H3) (H2-H4)	(Tous les modèles) 110-X1-X2 OU X2-X3 120 X4-X2 OU X2-X5 220-X1-X3 240 X4-X5
	182-260	H1-H4	(H2-H3)	
	310-450	H1-H5	(H2-H3)	
7 500 VA	180-260	H1-H5	(H1-H3) (H2-H5)	
	310-450	H1-H4	(H2-H3)	
10 000 à 15 000 VA	180-260	H1-H4	(H2-H3)	
	310-450	H1-H5	(H2-H3)	

Référence catalogue	VA	Sortie en BTU à charge maximale, temp. ambiante de +40 °C
63-23-612-8	120	85
63-23-625-8	250	160
63-23-650-8	500	300
63-23-710-8	1 000	525
63-23-720-8	2 000	825
63-23-730-8	3 000	1 263
63-23-750-8	5 000	2 105
63-28-775-8	7 500	4 105
63-28-810-8	10 000	4 210
63-28-815-8	15 000	4 815

Référence catalogue	Protection exigée du circuit/calibre minimal des câbles à 90 °C			Calibre minimal des câbles à 90 °C	
	Tension d'entrée			Tension de sortie	
	110-120	220-240	380-415	110-120	220-240
63-23-612-8	3 A/1,0 mm ²	1,5 A/1,0 mm ²	0,8 A/1,0 mm ²	1,0 mm	1,0 mm
63-23-625-8	6 A/1,0 mm ²	3 A/1,0 mm ²	1 A/1,0 mm ²	1,0 mm	1,0 mm
63-23-650-8	10 A/1,5 mm ²	6 A/1,0 mm ²	3 A/1,0 mm ²	1,0 mm	1,0 mm
63-23-710-8	15 A/2,5 mm ²	10 A/1,5 mm ²	6 A/1,0 mm ²	1,5 mm	1,0 mm
63-23-720-8	30 A/6,0 mm ²	15 A/2,5 mm ²	10 A/1,5 mm ²	4,0 mm	1,5 mm
63-23-730-8	45 A/16,0 mm ²	25 A/4,0 mm ²	15 A/2,5 mm ²	6,0 mm	2,5 mm
63-23-750-8	80 A/25,0 mm ²	40 A/10,0 mm ²	20 A/4,0 mm ²	16,0 mm	4,0 mm
63-28-775-8	---	60 A/16,0 mm ²	30 A/6,0 mm ²	25,0 mm	10,0 mm
63-28-810-8	---	80 A/25,0 mm ²	40 A/10,0 mm ²	35,0 mm	16,0 mm
63-28-815-8	---	110 A/50,0 mm ²	60 A/16,0 mm ²	45,0 mm	25,0 mm

5.0 Branchements en parallèle et branchements triphasés

5.1 Fonctionnement en parallèle

Il est possible de brancher en parallèle des appareils SolaHD portant la même référence afin d'obtenir une capacité de charge plus élevée. Les branchements doivent être mis en parallèle à l'entrée comme à la sortie (voir la figure 11). La référence SolaHD doit finir par -8 ou -C8 et la puissance de l'appareil doit être supérieure à 1 kVA. Les appareils portables ne peuvent pas être montés en parallèle.

Tous les câbles d'entrée et de sortie branchés en parallèle doivent être attachés ensemble dans une « boîte » externe de mise en parallèle fournie par l'utilisateur. Ne pas tenter de raccorder les câbles d'un appareil au bornier de l'autre appareil. Il se peut que le bornier n'ait pas la capacité d'accepter la somme des courants des deux appareils. Un fusible distinct doit assurer la protection de l'entrée de chaque appareil.

⚠ ATTENTION ! Le non-respect de ces exigences peut entraîner des dégâts aux bobinages.

Appareils de moins de 5 kVA : lors du branchement en parallèle des bobinages de 208 volts, il est impossible de mettre d'autres tensions nominales en parallèle en même temps (120 V, 240 V), et inversement. Il est conseillé à l'installateur de débrancher la borne X2 de mise à la terre de chaque appareil, puis de la raccorder à un seul emplacement, qui sera le seul mis à la terre.

5.2 Fonctionnement en branchement triphasé

Les charges nécessitant un branchement en étoile à quatre câbles peuvent être alimentées par trois conditionneurs d'alimentation ferromagnétiques ayant la même référence SolaHD. Les entrées doivent être branchées en triangle. Les fusibles de l'entrée doivent être branchés dans la ligne primaire de chaque appareil et non pas dans les lignes triphasées. Les sorties doivent être branchées en étoile, le conducteur neutre solidement raccordé à une charge en étoile. Ces trois sorties peuvent également alimenter trois charges monophasées indépendantes. Les angles de phase peuvent quelque peu s'écarter de 120°, même avec une charge équilibrée.

Ce modèle de circuit n'est pas destiné à alimenter une charge monophasée ligne-ligne ou une charge triphasée en triangle. Les sorties doivent alimenter trois charges monophasées indépendantes affichant le même total en volts-ampères (VA). Les branchements doivent être unidirectionnels ou birectionnels, comme indiqué dans la figure 11.

Les sorties de l'appareil sont isolées des lignes d'entrée. Il se créera par rapport à la terre une tension générée par les courants de fuite internes, qui pourra avoir des effets néfastes sur les équipements électroniques. Par conséquent, si le circuit « B » est utilisé, il est conseillé à l'installateur de débrancher la borne de mise à la terre X2 des appareils -8, puis de la raccorder depuis chaque phase vers un emplacement qui sera le seul mis à la terre. Cette procédure n'est pas nécessaire pour le circuit « A ». Ni la régulation ni la capacité d'écarter le bruit de la ligne de transport n'en sera affectée.

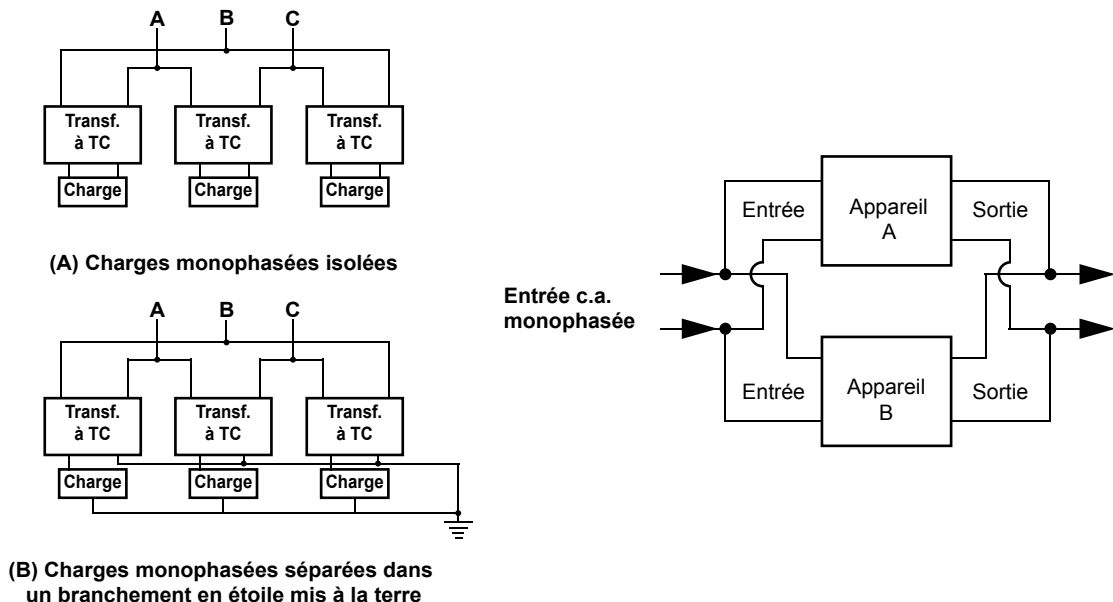


FIGURE 11

(B) Charges monophasées séparées dans un branchement en étoile mis à la terre

6.0 Remarques et informations sur le fonctionnement

⚠ DANGER ! Des tensions élevées sont présentes dans l'appareil. Ne pas toucher l'intérieur lorsqu'il est sous tension. Pour mesurer la tension, couper l'alimentation de l'appareil, brancher le voltmètre et remettre l'appareil sous tension.

6.1 Vérifications à l'aide de voltmètres

La mesure de la tension d'entrée et de sortie doit être effectuée à l'aide d'un véritable voltmètre efficace. Il peut arriver qu'une certaine quantité d'harmoniques dans la sortie donne des indications erronées avec d'autres types d'appareils, plus particulièrement des redresseurs.

6.2 Régulation de la charge

Les variations de tension de sortie découlant de changements dans des charges résistives, de hors charge à la charge maximale (100 % du facteur de puissance), atteignent environ 4 %.

6.3 Effets du facteur de puissance de charge

La valeur « médiane » de la tension de sortie diffère de la valeur nominale lorsque le facteur de puissance de la charge diffère des caractéristiques de conception de l'appareil. Par ailleurs, plus la régulation de charge augmente, plus le facteur de puissance de la charge inductive diminue. Toutefois, les tensions de sortie médianes qui en découlent seront régulées en fonction des changements de la ligne d'alimentation à une charge ou à un facteur de puissance de charge raisonnable.

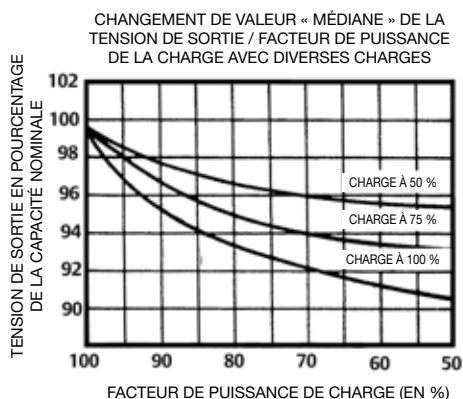


FIGURE 12

6.4 Utilisation avec des alimentations à découpage

Lorsqu'un MCR sert de source d'alimentation à découpage, un peu de suroscillation peut se produire pendant une courte durée dans l'onde de sortie sinusoïdale de l'appareil à chaque moitié de cycle. Cette suroscillation se produit lorsque la demande en courant d'alimentation de découpage s'arrête. Étant donné sa faible portée et sa rareté, elle ne doit causer aucune inquiétude. Des tests ont été effectués sur les deux gammes d'appareils avec diverses alimentations de découpage. Il en a été déduit que la suroscillation n'affecte pas les sorties de courant continu et n'endommage aucun composant de l'alimentation de découpage.

6.5 Effets de la fréquence

Les changements de fréquence de la tension d'alimentation se répercutent directement sur la tension de sortie. La tension d'entrée change de 1 % chaque fois que la fréquence de la tension de sortie change de 1,8 %, dans le sens du changement de fréquence.

6.6 Temps de réponse

Le délai de réponse de la régulation magnétique statique de SolaHD est extrêmement rapide comparativement à d'autres types de régulateurs de courant alternatif, ce qui constitue un avantage important. Généralement, les changements de transitoires de la tension d'alimentation sont corrigés par 1,5 cycle ou moins, et le pourcentage de tension de sortie ne varie que de quelques points.

6.7 Caractéristiques de l'entrée

Le transformateur du MCR comprend un circuit résonant qui reste sous tension, qu'il alimente une charge ou non. Toutefois, le courant d'entrée hors charge correspond environ à 35 % du niveau de charge maximale, même hors charge ou si la charge est légère. Le facteur de puissance d'entrée est de 90 à 100 % en moyenne à charge maximale, mais il peut descendre à 75 % environ à la moitié de la charge et à 25 % hors charge. Dans tous les cas, il est toujours en avance (capacitif).

6.8 Limitations du courant

Lorsque la charge augmente jusqu'à dépasser la valeur nominale du MCR, il arrive un point auquel la tension de sortie s'effondre. Elle ne retrouvera sa valeur normale qu'une fois la charge partiellement libérée. Dans une situation de court-circuit, le courant de la charge est limité à deux fois environ la valeur nominale de charge maximale, et la puissance d'entrée à moins de 10 % de la normale. L'appareil se protège et protège sa charge contre les dommages occasionnés par les dépassements de courant de défaut. Il n'est pas nécessaire d'installer des fusibles sur les circuits de charge.

6.9 Utilisation avec des charges de moteur

Étant donné l'effet limitateur de courant décrit plus haut, porter une attention spéciale aux utilisations avec moteur. En général, la charge nominale du régulateur doit équivaloir approximativement à l'alimentation maximale nécessaire au cycle de démarrage. Cette alimentation peut atteindre de deux à huit fois la puissance nominale (de fonctionnement) du moteur. En cas de doute, il est conseillé de mesurer le courant de démarrage réel.

7.0 Dépannage et entretien

7.1 Dépannage et entretien

Ce régulateur est un appareil simple et robuste ne comportant aucune pièce mobile. Il n'exige aucun dépannage ni entretien régulier. En cas de problème, consulter le chapitre « 8.0 Dépannage » ou demander de l'aide à l'assistance technique de SolaHD.

7.2 Remplacement des condensateurs sur place

Nos appareils contiennent des capaciteurs de qualité commerciale supérieure, soumis à des tests rigoureux dès leur réception. SolaHD s'engage à remplacer gratuitement tout capaciteur défaillant pendant un (1) an à compter de la vente. Les appareils plus anciens pourront faire l'objet d'un remplacement à un coût modique.

REMARQUE : Il peut être possible de tester et de trouver sur place les capaciteurs défaillants. Pour en savoir plus, contacter l'assistance technique de SolaHD, au 1 800 377-4384 ou au 1 847 268-6651.

8.0 Dépannage

Tableau 24 : Dépannage	
Problème	Action
Tension nominale trop élevée	<ol style="list-style-type: none">1. La charge est nettement inférieure à la capacité maximale. Consulter la section « 6.2 Régulation de la charge ».2. Le facteur de puissance de la charge est en avance (capacitif).
Tension nominale trop faible	<ol style="list-style-type: none">1. Le facteur puissance de charge est en retard (inductif).2. L'appareil est légèrement en surcharge. Consulter la section « 6.8 Limitations du courant ».
La régulation n'est pas assez précise.	<ol style="list-style-type: none">1. L'appareil est légèrement en surcharge. Consulter la section « 6.8 Limitations du courant ».2. Les écarts de tension de la ligne se situent hors de la plage de capacité de l'appareil, particulièrement du côté faible.3. Sur diverses charges, il est possible d'associer une certaine dose de régulation de charge à l'action de régulation de la tension de la ligne. Consulter la section « 6.2 Régulation de la charge ».
La tension de sortie est très faible (20 à 60 V).	<ol style="list-style-type: none">1. D'importantes surcharges inconnues ou non planifiées se produisent de manière intermittente (courants de démarrage de moteur, appel de courant des électroaimants, etc.). Consulter la section « 6.8 Limitations du courant ».2. Un ou plusieurs capaciteurs du régulateur peuvent être défaillants.
Aucune tension de sortie	<ol style="list-style-type: none">1. Vérifier les disjoncteurs ou les fusibles de la source d'alimentation.2. Vérifier l'interrupteur d'entrée.3. Vérifier la continuité entre les bornes de l'entrée, ainsi qu'entre les bornes de la sortie.
Température de fonctionnement du transformateur	<ol style="list-style-type: none">1. Le transformateur de l'appareil est conçu pour supporter un déplacement électrique intensif et des températures relativement élevées. Lorsqu'il aura été branché à la ligne pendant 30 minutes environ, sa structure de base sera brûlante au toucher. Cette chaleur est normale et ne doit pas inquiéter.
L'appareil fonctionne, mais il ne semble pas avoir la bonne sortie	<p>Les étapes ci-dessous permettent généralement de savoir si le mauvais fonctionnement provient d'une défaillance de l'appareil ou d'une particularité de la charge normale.</p> <ol style="list-style-type: none">1. Débrancher la charge normale.2. Brancher une charge fictive de lampes, d'appareils de chauffage ou d'autres charges résistives (à peu près équivalentes à la charge maximale du régulateur) directement aux bornes de la sortie.3. Mesurer la tension de sortie du régulateur (à l'aide d'un véritable voltmètre efficace) directement aux bornes de la sortie.
Assistance	
Pour obtenir de l'aide, contacter l'assistance technique de SolaHD au 1.800.377-4384 ou au 1.847.268-6651 ou envoyer un courriel à solahd.technicalservices@emerson.com.	

9.0 Spécifications

Tableau 25 : Spécifications générales		
Phase	Simple	
Fréquence	60 Hz	50 Hz
Régulation de la tension de sortie	±3 % avec une variation de la ligne d'entrée de +10 % à -20 %	±5 % avec une variation de la ligne d'entrée de +10 % à -20 %
Distorsion harmonique de la sortie	Moins de 3 % du contenu efficace total à la charge maximale	
Efficacité	Jusqu'à 92 % à charge maximale (typique) – selon le modèle	
Réduction du bruit	Élimination du bruit de mode commun de plus de 120 dB, élimination du bruit de mode transversal de plus de 60 dB.	
Suppression des surtensions	Conforme à la norme ANSI/IEEE C62.41 relative aux ondes de catégorie A et B (auparav. IEEE 587-1980)	
Température ambiante	Fonctionnement : de -20 °C à +50 °C ; stockage : de -20 °C à +85 °C	
Humidité	< 95 % sans condensation	
Directives	Conformité avec la directive RoHS	
Certifications UL 1012, CSA C22.2 n° 107.1	Modèle	Certification
	63-23-112-4	cULus
	63-23-612-8	cULus
	63-23-125-4	cULus
	63-23-625-8	cULus
	63-23-150-8	cULus
	63-23-650-8	cULus
	63-23-175-8	cULus
	63-23-210-8	UL
	63-23-210-C8	cULus
	63-23-710-8	cULus
	63-23-215-8	UL
	63-23-215-C8	cULus
	63-23-220-8	UL
	63-23-220-C8	cULus
	63-23-720-8	cULus
	63-23-230-8	UL
	63-23-230-C8	cULus
	63-23-730-8	cULus
	63-23-250-8	UL
	63-23-250-C8	cULus
	63-23-750-8	cULus
	63-28-775-8	cULus
	63-28-810-8	cULus
	63-28-815-8	cULus
	63-28-275-8	UL
	63-28-310-8	UL
	63-28-315-8	UL
	63-29-250-8	CSA
	63-29-275-8	CSA
63-29-310-8	CSA	
63-29-315-8	CSA	
63-31-150-8	cULus	
63-32-210-8	cULus	
63-32-220-8	cULus	
63-32-230-8	cULus	
Garantie	Garantie limitée de 10 ans	

10.0 Garantie et assistance

10.1 Informations relatives à la garantie

Consulter les « conditions générales de vente ».

10.2 Assistance technique

Téléphone : 1.800.377-4384 ou 1.847.268-6651

E-mail solahd.technicalservices@emerson.com

Site Web : www.solahd.com

1.800.377-4384 (É.-U.) • 1 847 268-6651 (international) • www.solahd.com

