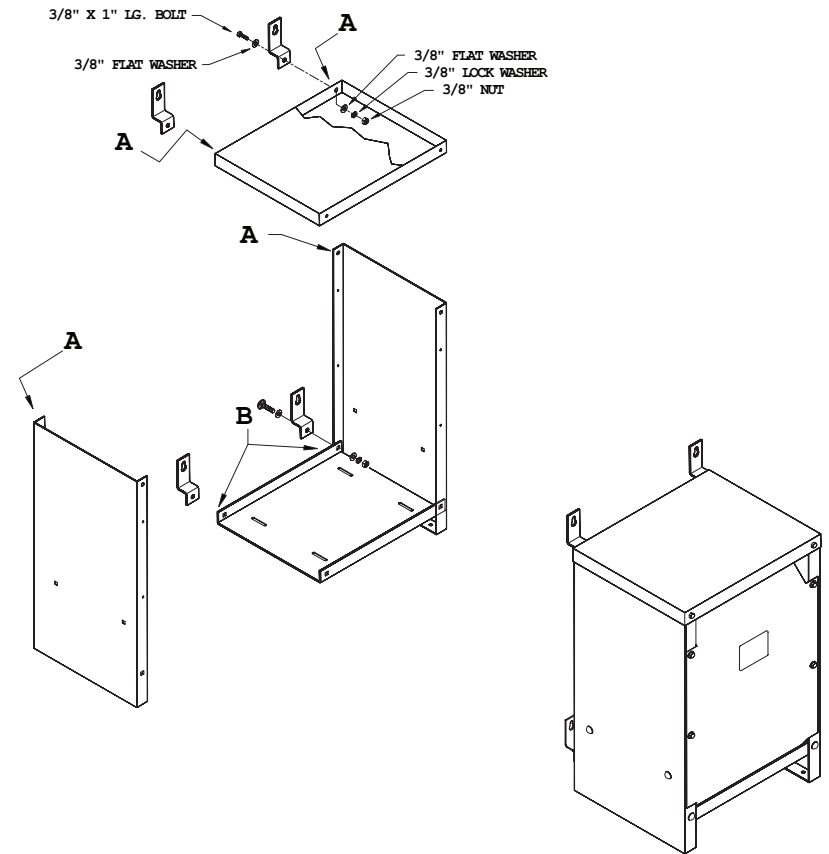
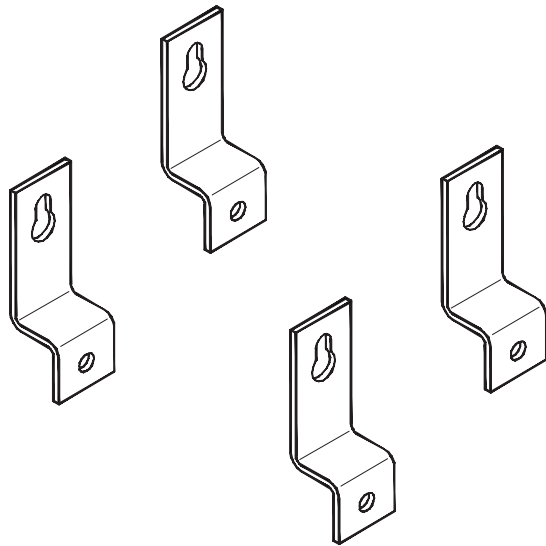


SOLAHD

WALL MOUNTING KIT

WB1C



Technical Support

(800) 377-4384 • (847) 268-6651
solahd.technicalservices@emerson.com
www.solahd.com

While every precaution has been taken to ensure accuracy and completeness in this manual, Appleton Grp LLC d/b/a Appleton Group assumes no responsibility, and disclaims all liability for damages resulting from use of this information or for any errors or omissions. Specifications are subject to change without notice.

Installation Instructions

1. Remove (2) sheet metal screws from top cover (rear) at position A. Re-Drill existing holes at position A on top cover and position A on each side panel to accommodate 3/8" bolts.
2. Replace top cover and then remove rear panel to gain access to interior. Secure top cover to side panel with 3/8" bolts and hardware as shown.
3. At position B, remove 3/8" hardware on (1) side only and install mounting bracket with existing hardware as shown. Repeat procedure on other side. When complete, replace rear panel. Unit is now ready for wall mounting.

NOTE: Maximum weight for wall mounting should not exceed 500 lbs.