

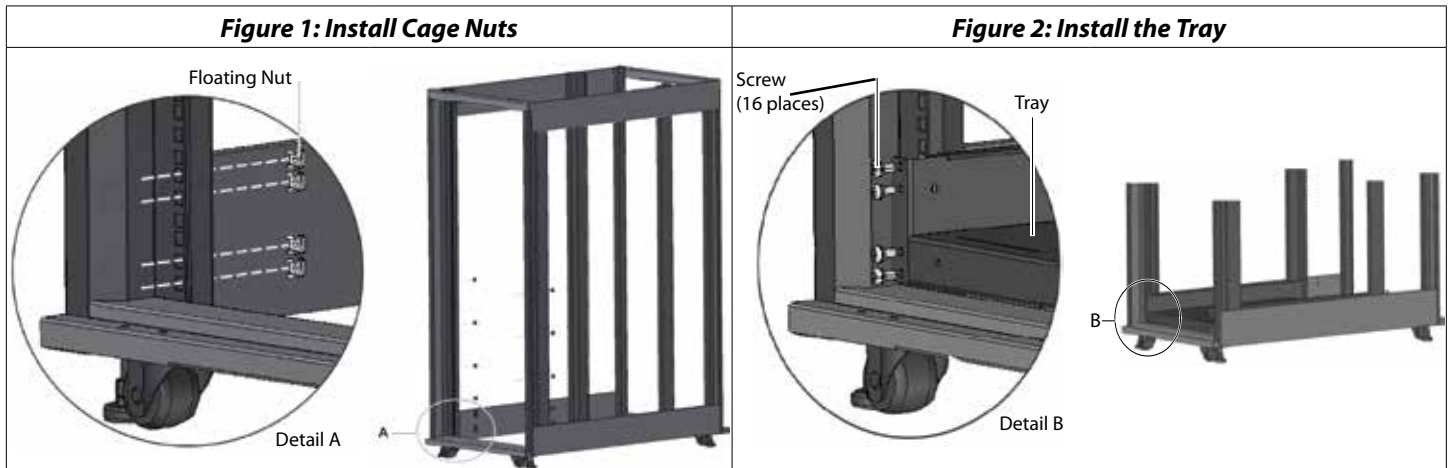
RACKMOUNT KIT INSTALLATION

Kit Contents:

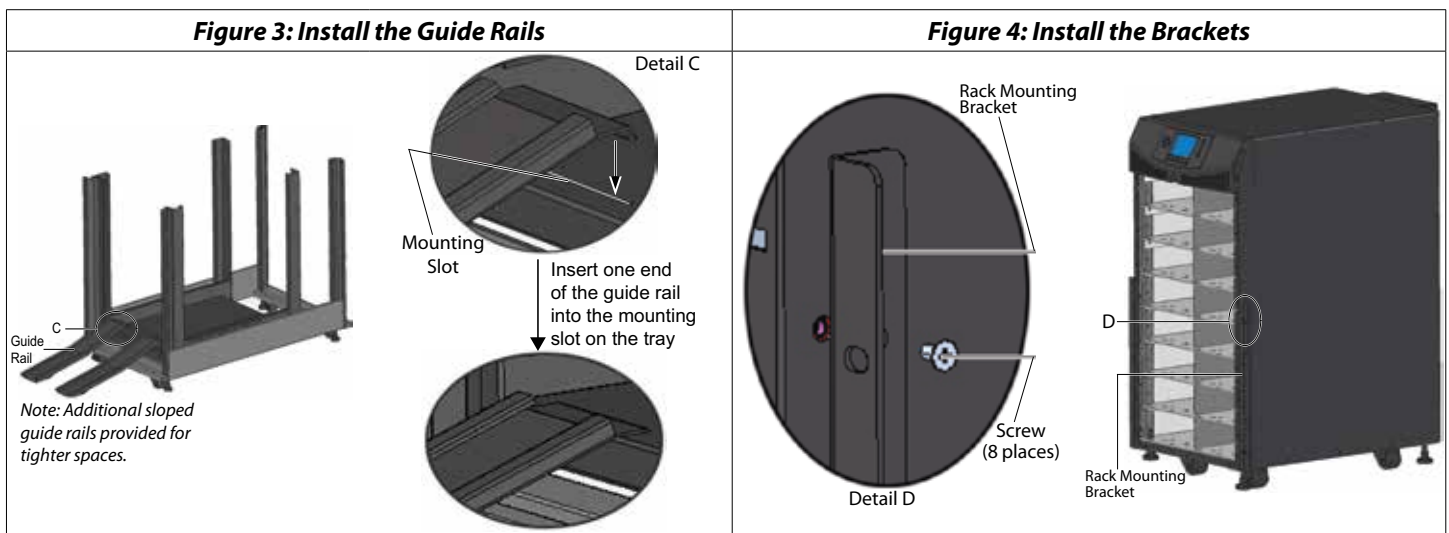
One (1) shelf, Two (2) guide rails - long, Two (2) sloped guide rails - short, One (1) front cover (metal plate), One (1) metal bezel, One (1) mounting hardware package, Two (2) rack mounting brackets

Note: Racks are available with either four or two vertical posts. Four-post racks allow for mounting rails to support the equipment at the front and rear. These racks may be open in construction (similar to the traditional open-style two-post racks), or may be enclosed by front and/or rear doors, side panels, or tops. This kit is designed for four post racks.

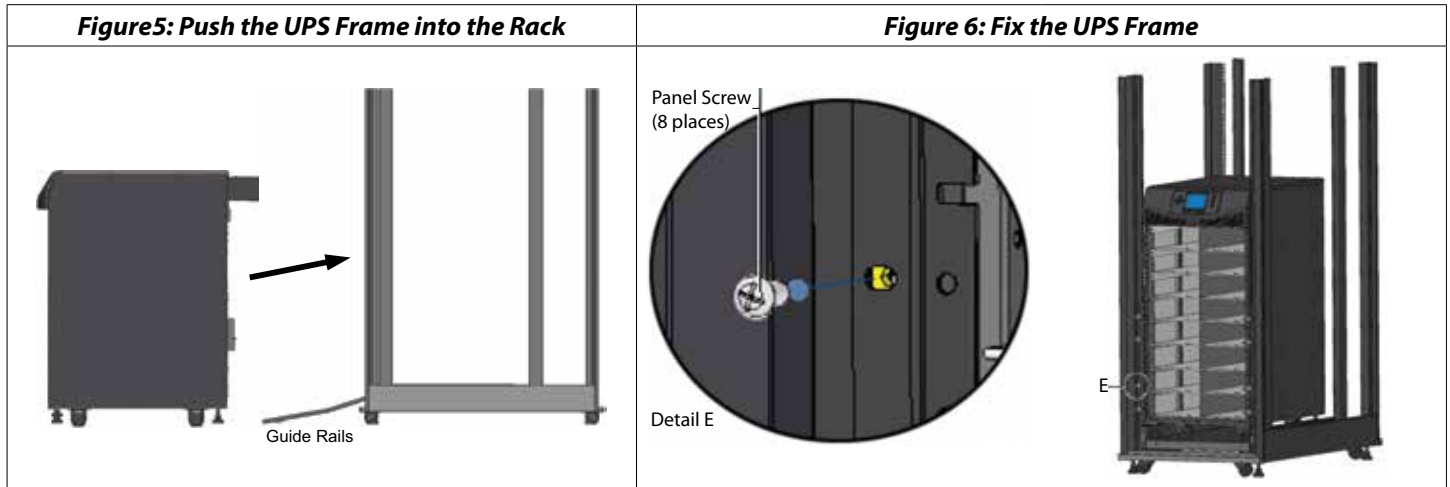
1. Install the cage nuts on the corresponding positions in the rack, as shown in **Figure 1**.
 - a. Install cage nuts in the two lower square holes of 1U space and in the two upper square holes of 2U space of all four rack posts. These cage nuts will secure the optional shelf that will support the weight of the SolaHD S5KC.
 - b. Install a cage nut in the middle square hole of 4U, 6U, 10U, 12U spaces, respectively, again in all four posts. The cage nuts will help secure the UPS in the rack.



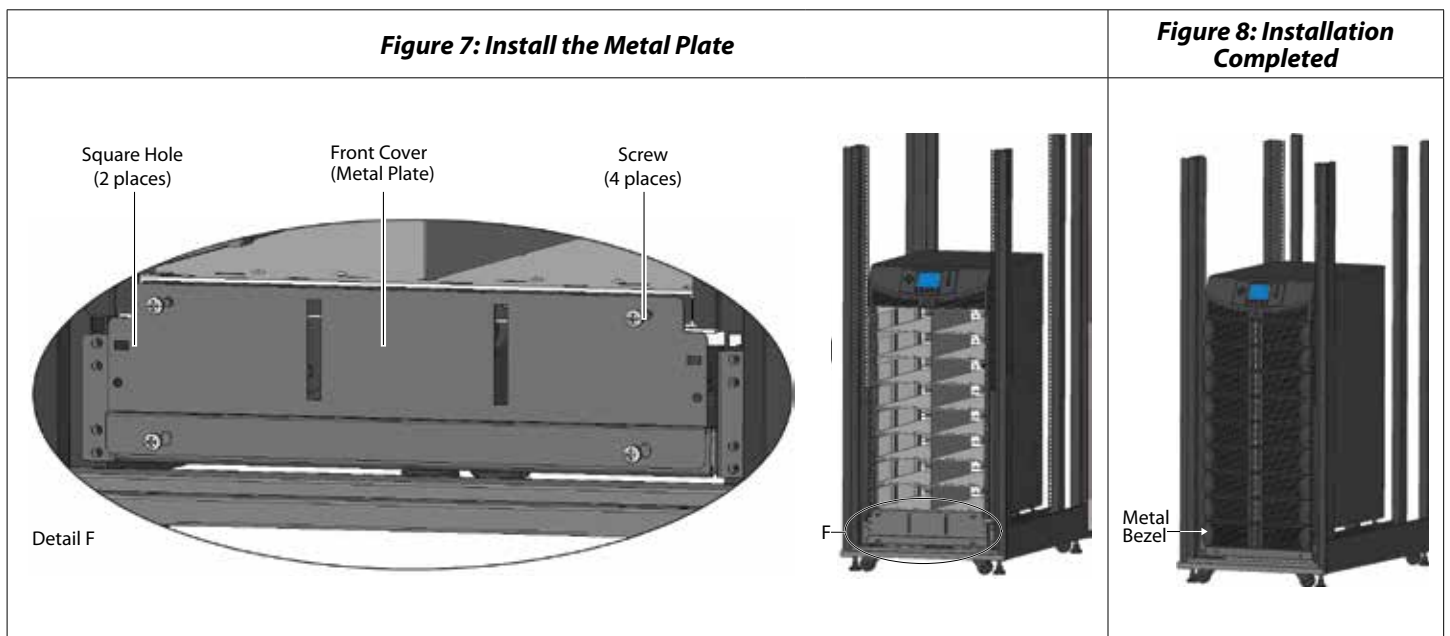
2. Install the rack-mount shelf on the corresponding position between 1U space and 2U space on the bottom of the rack, as shown in **Figure 2**.
3. Install the guide rails (ramp) in the mounting slot at the front of the tray, as shown in **Figure 3**.
4. Unscrew the 10 screws on the front of the two side panels of the UPS frame.
5. Use those screws to attach the brackets to each side of the UPS frame, as shown in **Figure 4**.



6. Push the SolaHD S5KC frame slowly into the enclosure from the front, as shown in **Figure 5**. The rear of the UPS goes into the rack first when installing through the front of the rack.
7. Use eight panel screws to secure the UPS frame to the rack posts, as shown in **Figure 6**.



8. Use four screws to install the metal plate, an accessory in the rack-mount kit (Catalog Number: S5KC-RACK-KIT), on the corresponding position on the lower front part of the UPS frame
9. Insert the provided bezel into the square holes of the metal plate, as shown in **Figures 7 and 8**.



Note: It might be necessary to use the leveling feet to get the holes to align.

While every precaution has been taken to ensure the accuracy and completeness of this literature, SolaHD Corporation assumes no responsibility and disclaims all liability for damages resulting from use of this information or for any errors or omissions. © 2015 SolaHD Corporation. All rights reserved throughout the world. Specifications subject to change without notice. * SolaHD is a registered trademark of SolaHD Corporation. All names referred to are trademarks or registered trademarks of their respective owners.