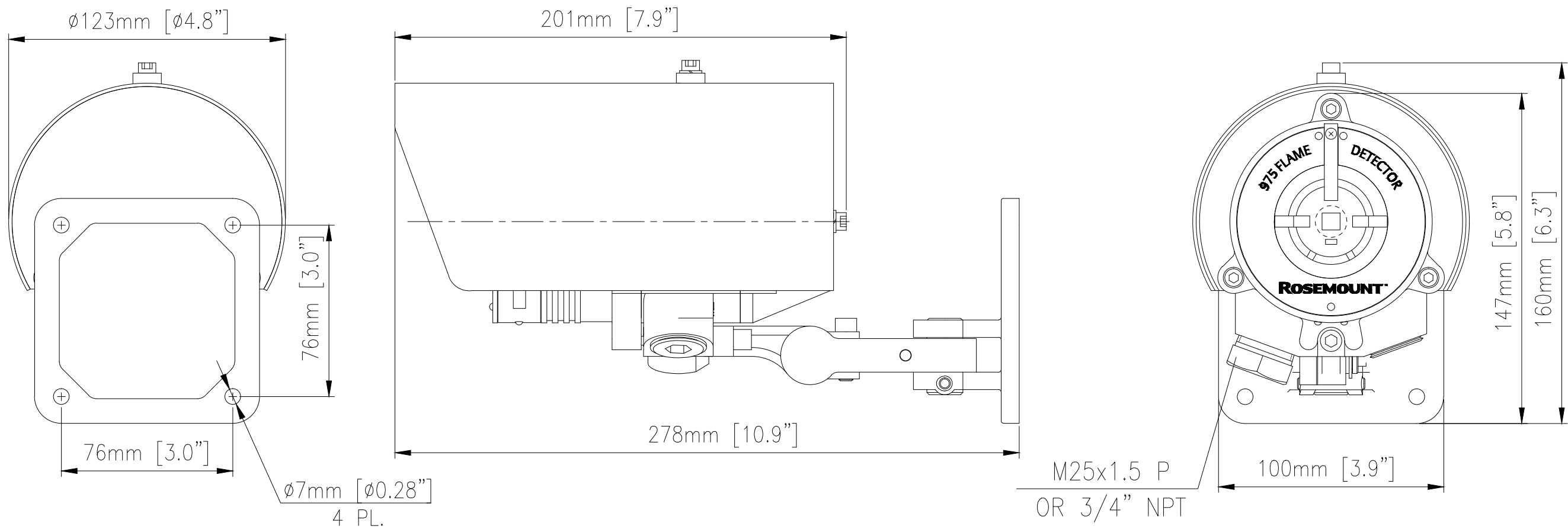


REVISION TABLE			
REVISION	ECO NO.	APP'D	DATE
DESCRIPTION			
NEW RELEASE			



DETECTOR P/N: 975 HR

TILT MOUNT P/N: 00975-9000-001

WEATHER PROTECTION P/N: 00975-9000-003

<small>EMERSON Process Management</small>	3RD ANGLE	SIZE	SCALE
		D	1:2
	TITLE 975 HR DETECTOR + TILT MOUNT + COVER		
	DR.	MILA G.	02/03/16
APP'D	DRAWING NO.		
CAD MAINTAINED, (PRO/EE)			SHEET 3 OF 3