

Bettis RPE-Series with Stainless Steel pinion AISI 316 Stainless Steel Pinion + Fasteners (A4-70)

Key features

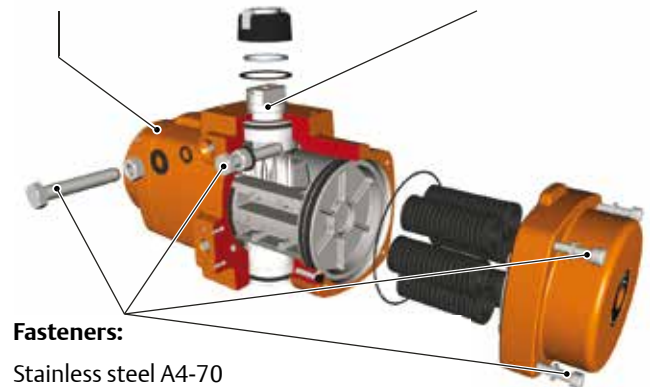
- Extended corrosion resistant properties for applications where the standard pinion material is not sufficient.
- AISI 316 grade stainless steel pinion material
- A4-70 grade stainless steel fasteners.
- Available with parallel and diagonal square drive for ISO5211 or DIN3337 valve mounting.
- Typically suitable for areas where standard painted actuators fail prematurely due to heavy corrosion, for instance protected areas on off-shore platforms.

Coating:

Polyurethane powder coating for exterior use (= default coating).

Pinion:

Stainless steel
AISI 316



Fasteners:

Stainless steel A4-70

Description

Bettis RPE-Series with AISI 316 stainless steel pinion and fasteners (A4-70) offers an extended corrosion resistance in environments where standard actuators with aluminium pinions might fail prematurely due to higher corrosion levels.

AISI 316 grade stainless steel

Stainless steel 316 has excellent corrosion resistance when exposed to a range of corrosive environments and media. It is usually regarded as “marine grade” stainless steel. As such actuator with stainless steel pinions and fasteners can be used in near sea shore plants or protected areas on off-shore platforms.

Technical data:

Coating:	Polyurethane powder coating for exterior use (= default coating).
Color:	Bettis Orange (RAL 2009)
Corrosion resistance:	1000hr, ASTM B117
Max. Temperature:	-20° to + 80°C (-4°F to +176°F)
Materials Housing:	Aluminum alloy, anodized
Pinion:	Stainless Steel AISI 316
Fasteners:	Stainless steel A4-70
Type Sticker:	Polyester
Application:	Optional on Bettis RPE-Series actuators.
Dimensions:	See page 2

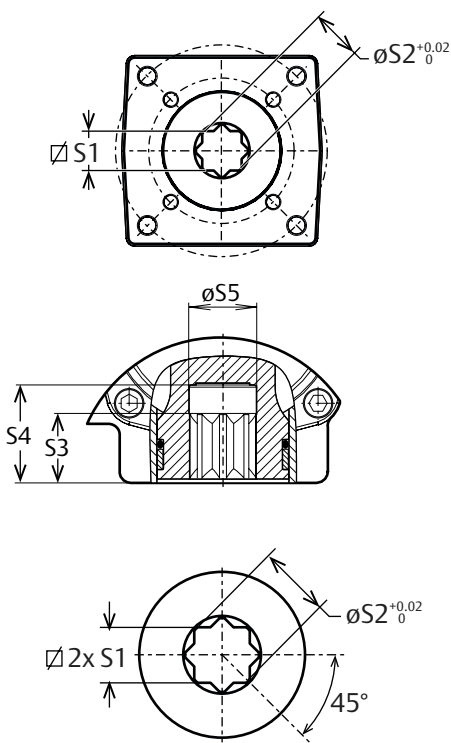
Dimension for Bettis RPE-Series actuators with Stainless Steel pinions.

Bettis RPE-Series actuators with the stainless steel pinions are not suitable for the use of drive inserts. The pinions of these actuators are fitted with 2 drive squares (rotated at 45°) in the pinion bottom. These drive squares are according ISO5211.

All the other actuator dimensions are the same. Please refer to:

- BEM.04.01.EN for Metric ISO units
- BED.04.01.EN for Metric DIN units (with center plate)
- BEI.04.01.EN for Imperial ISO units

For the drive square dimensions of the stainless steel pinions, see below drawing and table.



Drive square dimensions Stainless Steel pinions								
Dim. in mm	25	40	65	100	150	200	350	600
S1 Max.	11.08	14.08	14.08	19.13	22.11	22.11	27.11	27.11
S1 Min.	11.00	14.00	14.00	19.00	22.00	22.00	27.00	27.00
S2	14.4	18.5	18.5	22.5	22.5	28.5	36.5	36.5
S3	17	17	17	20	28	28	30	31
S4	27	27	27	27	40	40	38	38
S5	15	19	19	23	23	29	37	37

Drive square dimensions Stainless Steel pinions								
Dim. in inch	25	40	65	100	150	200	350	600
S1 Max.	0.436	0.554	0.554	0.753	0.870	0.87	1.067	1.067
S1 Min.	0.433	0.551	0.551	0.748	0.866	0.866	1.063	1.063
S2	0.57	0.73	0.73	0.89	0.89	1.12	1.44	1.44
S3	0.67	0.67	0.67	0.79	1.1	1.1	1.18	1.22
S4	1.06	1.06	1.06	1.06	1.57	1.57	1.50	1.50
S5	0.59	0.75	0.75	0.91	0.91	1.14	1.46	1.46